

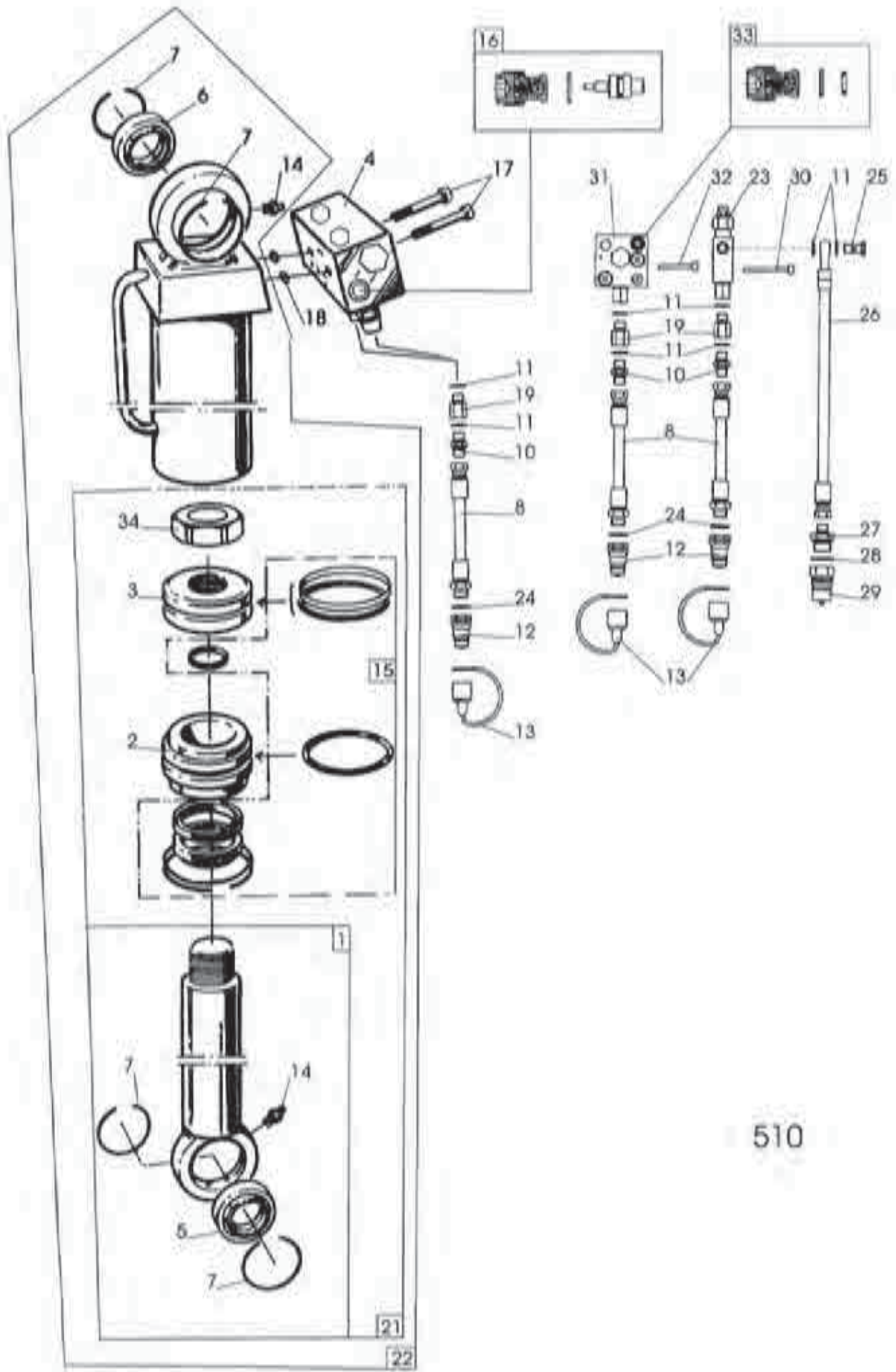


BX / CX / DX



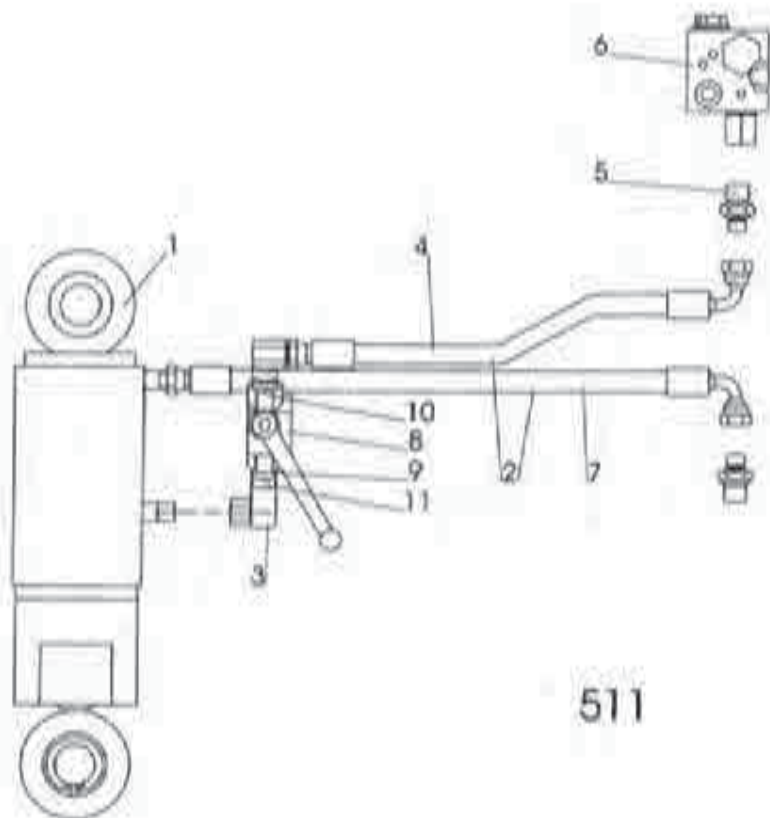
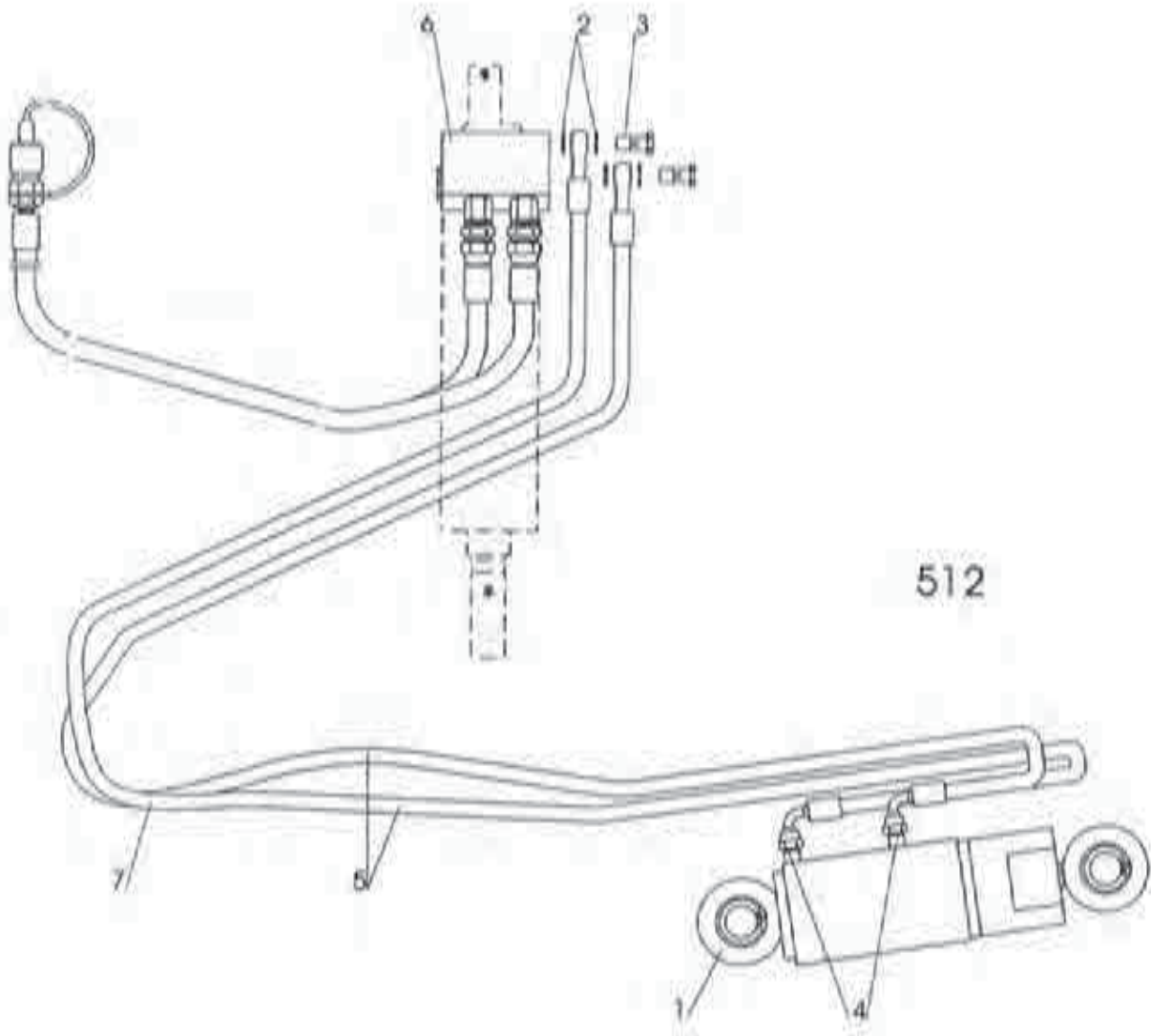
**Reservdelsförteckning
Ersatzteilliste
Spare parts list
Cataloge de pieces de rechange**

| Sida Seite Page | Bild Fig.No. Fig.N° | Typ | Innehållsförteknig | Inhaltsverzeichnis | Index of contents | Table des matieres |
|-----------------------|---------------------------|-------------------|---------------------------------------|------------------------------------------------|---------------------------------------|------------------------------------------|
| 3 | 510 | | VÄNDCYLINDER | WENDEZYLINDER | REVERSING | VÉRIN CPL |
| 5 | 512 | CX | UTRÄTNINGS- CYLINDER | ZENTRIERUNG- ZYLINDER | ALIGNMENT CYLINDER | VERIN D'ALIGNEM. |
| 7 | 513 | DX, CX 590 | UTRÄTNINGS- CYLINDER | ZENTRIERUNG- ZYLINDER | ALIGNMENT CYLINDER | VERIN D'ALIGNEM. |
| 9 | 440 | BX | TOPP | KOPFSTÜCK | HEADSTOCK | TETE |
| 13 | 188a | CX | TOPP | KOPFSTÜCK | HEADSTOCK | TETE |
| 15 | 390 | CX, DX | TOPP | KOPFSTÜCK | HEADSTOCK | TETE |
| 17 | 149 | DX | TOPP | KOPFSTÜCK | HEADSTOCK | TETE |
| 19 | 150 | DX | RAM | RAHMEN | MAIN | Châssis-poutre |
| 23 | 444 | F | ÅSHUS | GRINDELGEHÄUSE | BEAM HOUSING | SUPPORT D'AGE |
| | 445 | H | ÅSHUS | GRINDELGEHÄUSE | BEAM HOUSING | SUPPORT D'AGE |
| 25 | 21 | BX | HYDRAULISK SIDOREGLERING | HYDRAULISCHE SCHNITTBREITEN- VERSTELLUNG | HYDRAULIC FRONT-FURROW ADJUSTER | DEPORTATEURE HYDRAULIQUE |
| 27 | 190 | DX | HYDRAULISK SIDOREGLERING | HYDRAULISCHE SCHNITTBREITEN- VERSTELLUNG | HYDRAULIC FRONT-FURROW ADJUSTER | DEPORTATEURE HYDRAULIQUE |
| 29 | 441 | BX | STENSÅKRINGS- HYDRAULIK | HYDRAULISCHER STEINSICHERUNG | HYDRAULIC STONE TRIP | DISPOSITIF DE SECURITE HYDRAULIQUE |
| 31 | 152 | CX,DX | STENSÅKRINGS- HYDRAULIK | HYDRAULISCHER STEINSICHERUNG | HYDRAULIC STONE TRIP | DISPOSITIF DE SECURITE HYDRAULIQUE |
| | 6 | | HYDRAULISK UTLÖSNINGS- CYLINDER | HYDRAULISCHER STEINSICHERUNG | HYDRAULIC STONE TRIP | DISPOSITIF DE SECURITE HYDRAULIQUE |
| 33 | 65 | BX,CX | PENDELHJUL | PENDELRAD | PENDULUM WHELL | ROUE PENOLAIRE |
| 35 | 187a | CX,DX | KOMBIHJUL | KOMBIRAD | COMBINDE WHEEL | ROUE COMBINASION |
| 37 | 268 | DX 5-6 | KOMBIHJUL | KOMBIRAD | COMBINDE WHEEL | ROUE COMBINASION |
| 39 | 446 | DX | KOMBIHJUL | KOMBIRAD | COMBINDE WHEEL | ROUE COMBINASION |
| 43 | 516 | | SKIVRIST | SCHEIBENSECH | DISC COULTER | COUTRE CIRCULAIRE |
| 47 | 15 | XL,XU,XS,UC | SKUMVINGE | EINLEGER- STREICHBLECH | COVERBOARD | DEFLECTEUR |
| | 143 | | FAR- BREDDARE | FURCHEN- MESSER | FURROW WIDENING KNIFE | COUPEAU POUR PNEUS LARGES |
| 49 | 479 | | SKUMRIST | VORSCHÄLER | SKIMMER | RASETTE |
| 53 | 103d | XL,XLP | PLOGKROPP | PFLUGKÖRPER | PLOUGH BOTTOMS | CORPS DE CHARRUE |
| 55 | 182 | XU | PLOGKROPP | PFLUGKÖRPER | PLOUGH BOTTOMS | CORPS DE CHARRUE |
| 57 | 16d | UC | PLOGKROPP | PFLUGKÖRPER | PLOUGH BOTTOMS | CORPS DE CHARRUE |
| 59 | 290 | XS | PLOGKROPP | PFLUGKÖRPER | PLOUGH BOTTOMS | CORPS DE CHARRUE |
| 61 | 166 | CX,DX | PACKERARM | PACKERARM | PLOUGH ARM | BARRE DE TRACTION |
| 63 | 74 | BX-F,CX-F | PACKERARM | PACKERARM | PLOUGH ARM | BARRE DE TRACTION |
| 65 | 185 | BX-F,CX-F DX-F | PACKERARM | PACKERARM | PLOUGH ARM | BARRE DE TRACTION |
| 67 | 69a | BX-H,CX-H | PACKERARM | PACKERARM | PLOUGH ARM | BARRE DE TRACTION |
| 70 | | | NUMMERREGISTER | NUMMERN- VERZEICHNIS | NUMBER REGISTER | LIST DE PIECES PAR ORDRE |

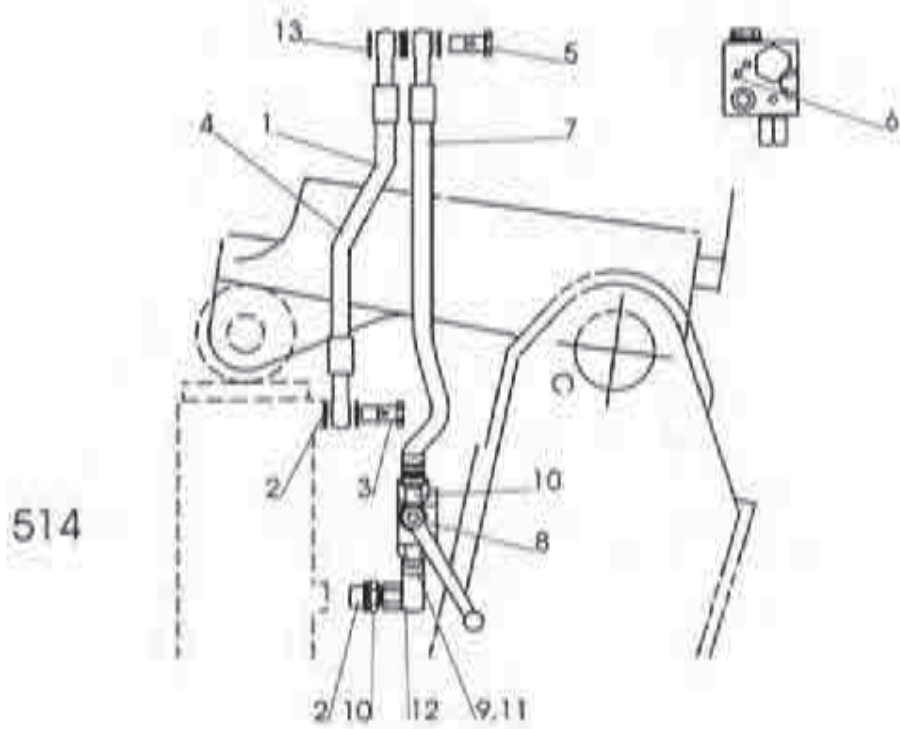
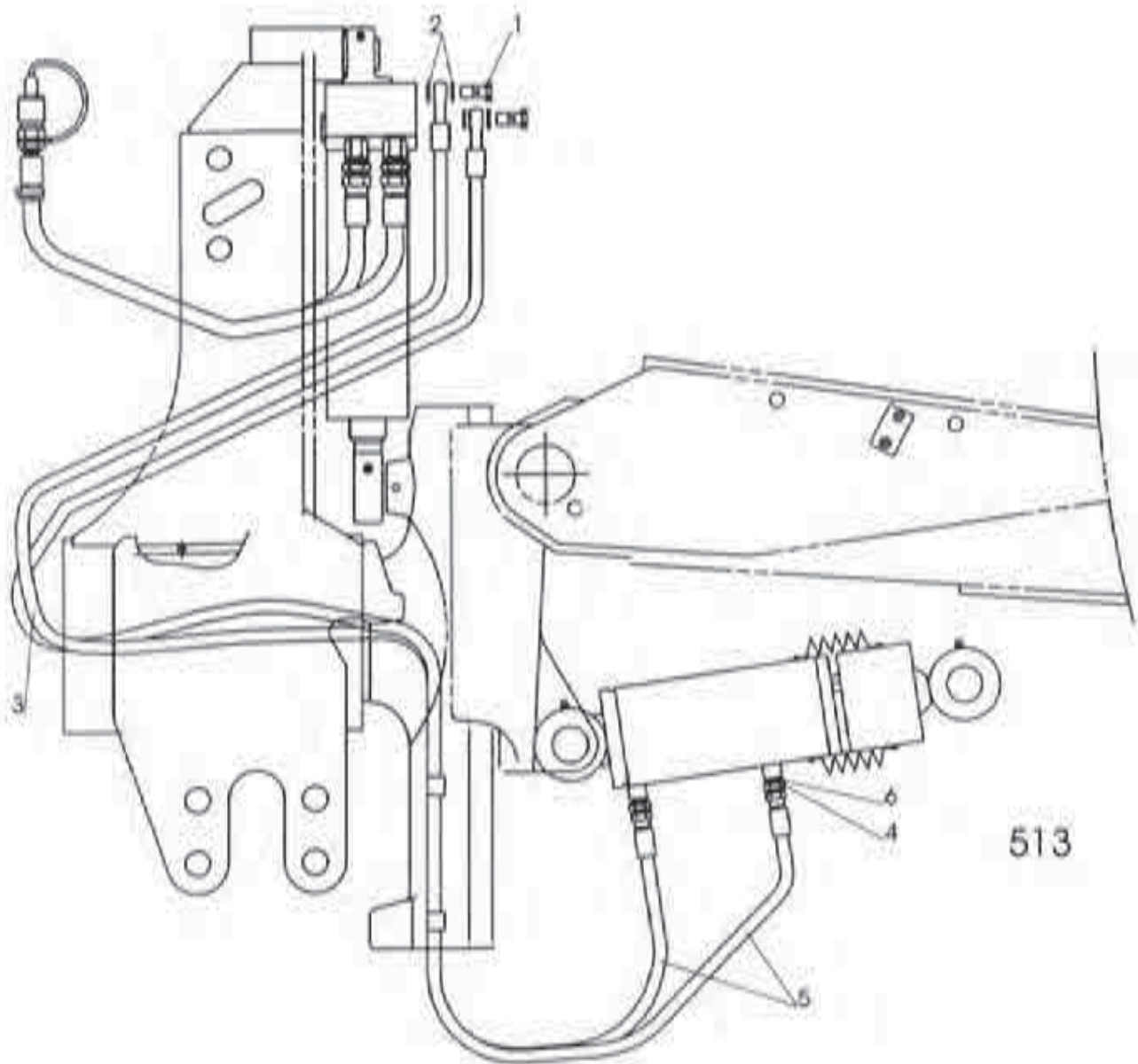


510

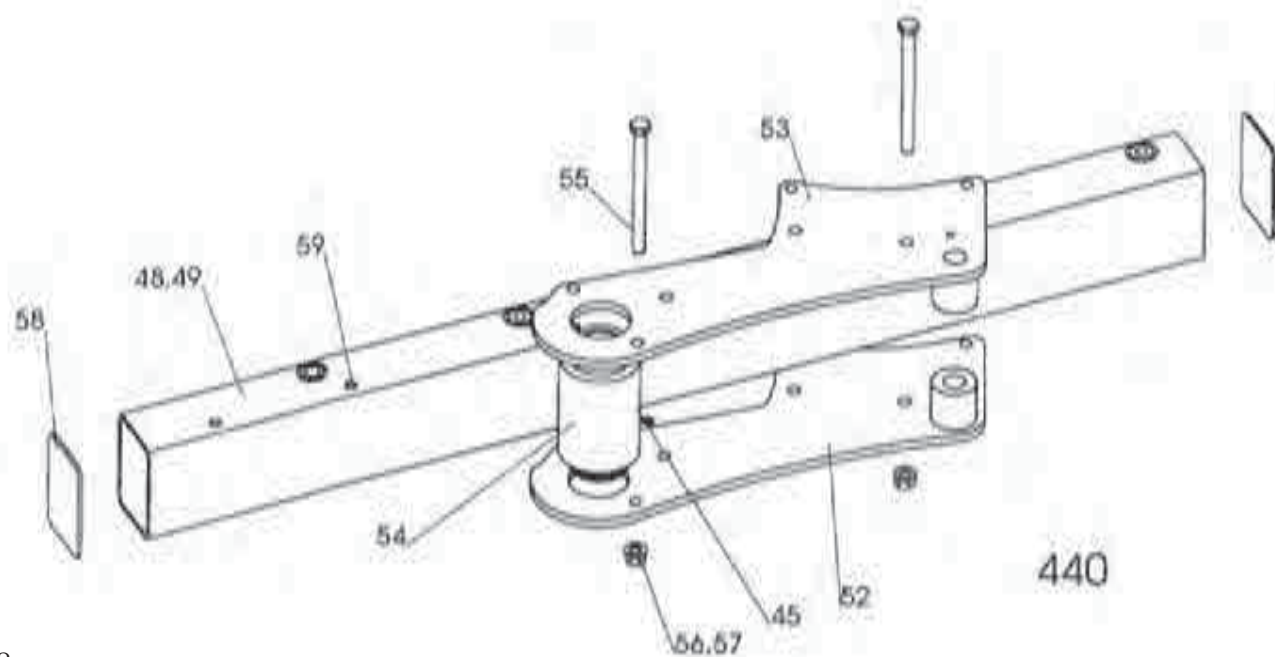
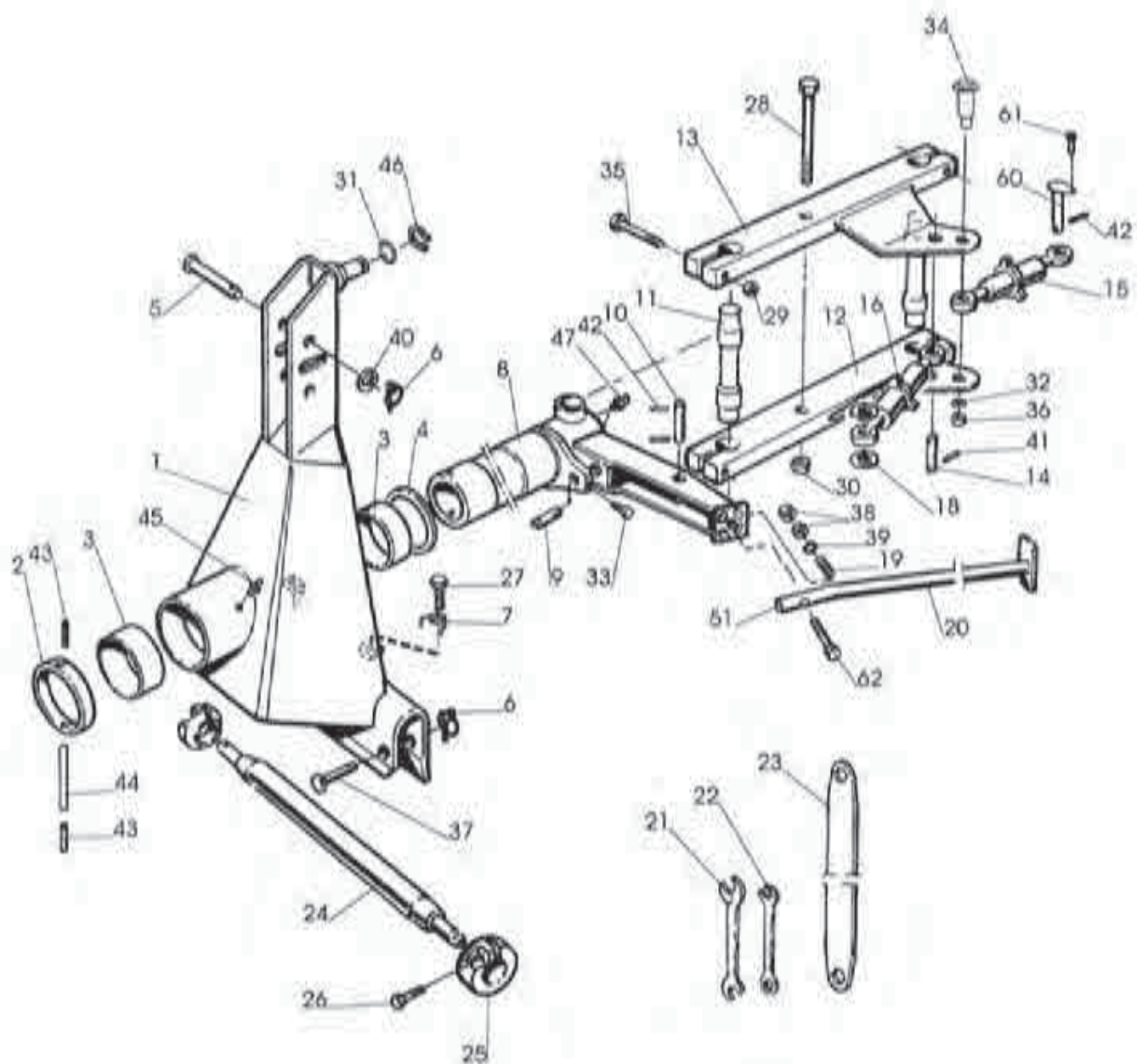
| Pos nr Pos.Nr Ref.No Fig.N° | Detalj nr Best.Nr Part No Code N° | | Benämning | Bezeichnung | Description | Description |
|--------------------------------------|--------------------------------------------|-------------------------|--------------------------|-------------------------|------------------------|------------------------|
| 610 | | | VÄNDCYLINDER | WENDEZYLINDER | REVERSING | VÉRIN CPL. |
| 1 | 1652 55 25 00 | | Kolvstång | Kolbenstange | Piston rod | Tige de piston |
| 2 | 1659 46 55 00 | | Styrning | Führung | Guide | Guidage |
| 3 | 1652 55 29 00 | | Kolv | Kolben | Piston | Piston |
| 4 | 1652 55 11 50 | | Ventil kompl | Ventil kompl | Valve compl. | Soupape opt. |
| 5 | 1659 13 06 01 | | Lager | Lager | Bearing | Pallier |
| 6 | 1658 64 05 03 | | Lager | Lager | Bearing | Pallier |
| 7 | 1658 64 06 03 | | Låsring | Kopfring | Lock ring | Bague d'arrêt |
| 8 | 1659 88 35 00 | L=1500 3/8-1/2 | Slang | Schlauch | Hose | Tuyau flexible |
| 10 | 1659 24 34 00 | | Rek adapt | Verbindungsstück | Union | Raccord |
| 11 | 1659 44 17 00 | 3/8 | Tättningsbricka | Dichtungsscheibe | Sealing washer | Rondelle d'étanchéité |
| 12 | 1657 46 14 00 | ISO-G1/2 | Handel | Schnellkupplung M | Quick coupling M | Raccord rapide M |
| 13 | 1657 83 63 00 | | Handelsskydd | Schutz | Guard | Protection |
| 14 | 1659 13 36 00 | | Smörrippel | Schmiernippel | Grease nipple | Graisseur |
| 15 | 1659 46 66 00 | | Packningssats | Packungsgarnitur | Set of seals | Jeu de joints |
| 16 | 1659 13 39 00 | | Backventil | Rückschlagklappe | Check valve | Valve f à levée |
| 17 | 725 54 63 91 | MC6S 8x60 | Skruv | Schraube | Bolt | Vis |
| 18 | 740 43 07 00 | | O-ring | O-ring | O-ring | Joint torique |
| 21 | 1652 55 26 00 | | Kolvstång monterad | Kolbenstange kompl. | Piston rod compl. | Tige de piston opl. |
| 22 | 1652 55 14 50 | | Vändcylinder utan ventil | Wendezylinder | Reversing | Vérin opl. |
| 23 | 1652 55 28 00 | | Fri flödes ventil | Ventil | Valve | Soupape |
| 24 | 1658 03 16 00 | 1/2 | Tättningsbricka | Dichtungsscheibe | Sealing washer | Rondelle d'étanchéité |
| 25 | 1659 57 74 00 | | Banjokruv | Schwenkschraube | Banjo bolt | Vis |
| 26 | 1652 17 05 00 | L=1500 3/8-3/8 Banjo | Slang | Schlauch | Hose | Tuyau flexible |
| 27 | 1651 69 80 00 | | Rek edept | Verbindungsstück | Union | Raccord |
| 28 | 1651 29 76 28 | 3/4 | Tättningsbricka | Dichtungsscheibe | Sealing washer | Rondelle d'étanchéité |
| 29 | 1651 29 88 49 | ISO-G3/4 | Handel | Schnellkupplung M | Quick coupling M | Raccord rapide M |
| 30 | 725 54 75 91 | MC6S 8x120 | Skruv | Schraube | Bolt | Vis |
| 31 | 1652 55 12 50 | | Ventil kompl All-In-One | Ventil kompl.All-In-One | Valve compl.All-In-One | Soupape opt.All-In-One |
| 32 | 725 54 69 91 | MC6S 8x60 | Skruv | Schraube | Bolt | Vis |
| 33 | 1652 60 80 00 | | Backventil sats | Rückschlagklappe sats | Check valve set | Valve f à levée jeu de |
| 34 | 1652 60 25 00 | | Mutter | Mutter | Nut | Ecrou |



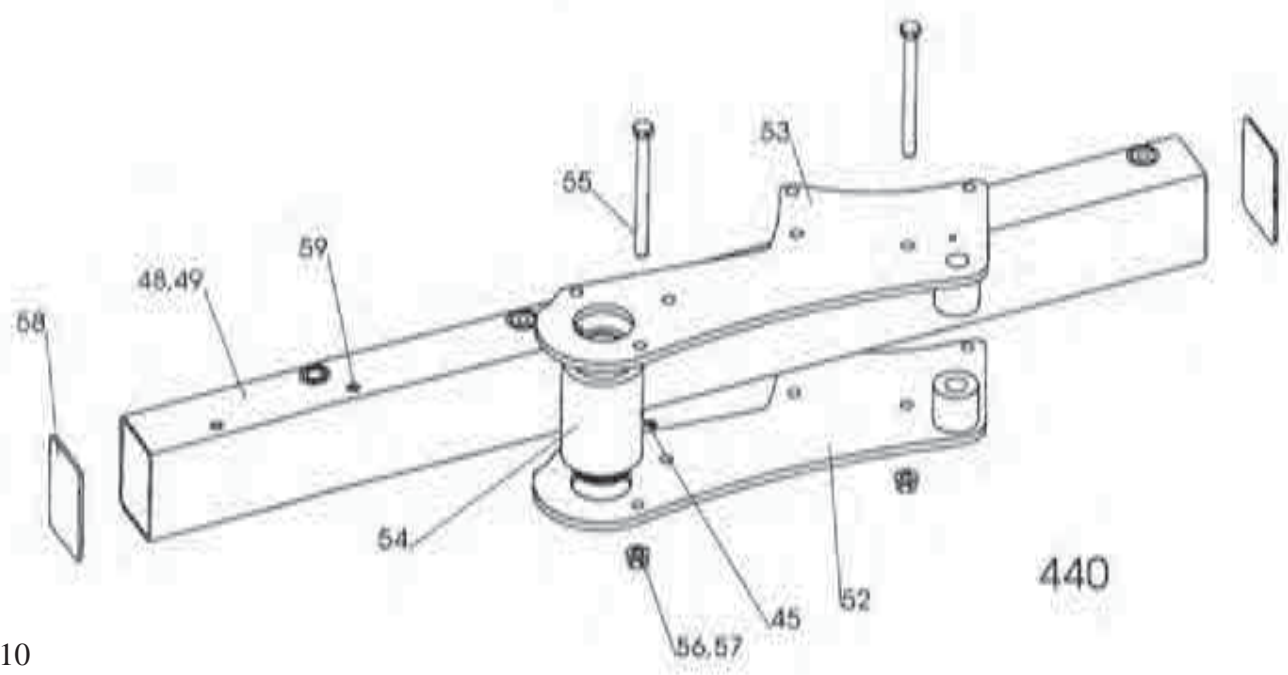
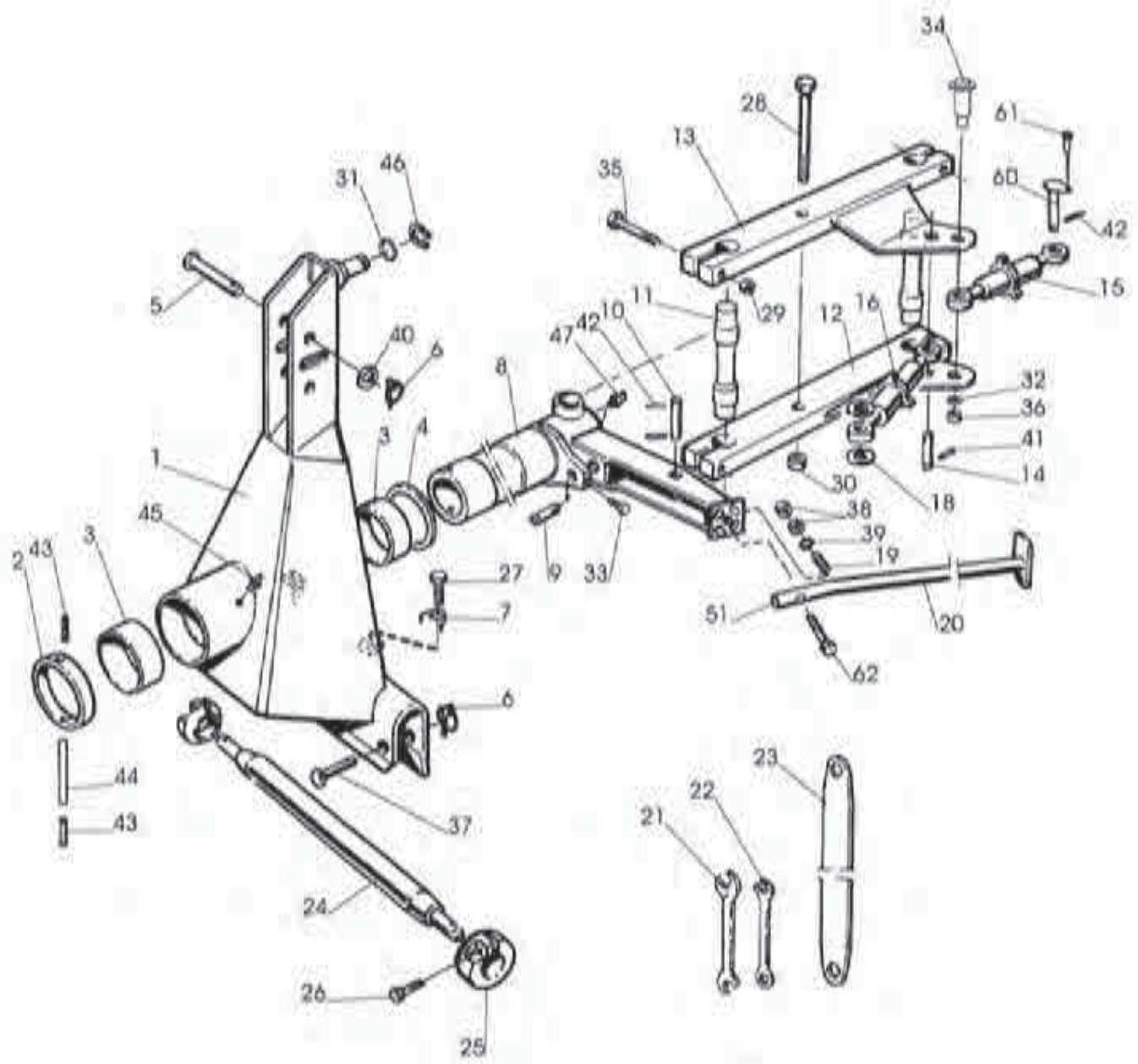
| Pos nr Pos.Nr Ref.No Fig.N° | Detalj nr Best.Nr Part No Code N° | | Benämning | Bezeichnung | Description | Description |
|--------------------------------------|--------------------------------------------|-------------------------|------------------------------------|-------------------------|-----------------------|---------------------|
| 512 | | CX | UTRÄTNINGSCYLIND. ÖVERVÄNDNING | ZENTRIRUNG- ZYLINDER | ALIGNMENT CYLINDER | VERIN D'ALIGNEM. |
| 1 | 1659 45 04 50 | | Uträtningscyliner | Zentrirungzyl. | Alignment | Vérin d'alignement |
| 2 | 1659 44 17 00 | | Tätningstrioka | Dichtungsscheibe | Sealing washer | Rondelle |
| 3 | 1659 57 74 00 | 3/8 | Banjokruv | Schwertschraube | Banjo bolt | Vis |
| 4 | 1657 72 27 00 | | Strypbricka | Drosselscheibe | Trottle washer | Restricteur |
| 5 | 1652 55 09 00 | L=2800 1/4-3/8 Banjo | Slang | Schlauch | Hose | Tuyau flexible |
| 6 | 1652 55 12 50 | | Ventilblock | Ventil | Valve | Soupape |
| 7 | 1652 10 43 00 | | Skyddsslang | Schutz | Guard | Protection |
| 511 | | CX | UTRÄTNINGSCYLIND. UNDERVÄNDNING | ZENTRIRUNG- ZYLINDER | ALIGNMENT CYLINDER | VERIN D'ALIGNEM. |
| 1 | 1659 45 04 50 | | Uträtningscyliner | Zentrirungzyl. | Alignment | Vérin d'alignement |
| 2 | 1652 10 43 00 | | Skyddsslang | Schutz | Guard | Protection |
| 3 | 1658 56 36 00 | | L-adapt | Winkel-Stück | Elbow union | Raccord angle |
| 4 | 1651 46 32 00 | L=1000 1/4-1/4 | Slang | Schlauch | Hose | Tuyau flexible |
| 5 | 1659 35 74 00 | | Adapt | Verbindungsstück | Union | Raccord |
| 6 | 1652 55 11 50 | | Ventilblock | Ventil | Valve | Soupape |
| 7 | 1652 26 77 00 | L=2000 1/4-1/4 | Slang | Schlauch | Hose | Tuyau flexible |
| 8 | 1658 40 06 00 | | Ventil | Ventil | Valve | Soupape |
| 9 | 1659 18 11 00 | | Strypbricka | Drosselscheibe | Trottle washer | Restricteur |
| 10 | 1657 60 31 00 | | Adapt | Verbindungsstück | Union | Raccord |
| 11 | 1659 45 77 00 | | Adapt | Verbindungsstück | Union | Raccord |



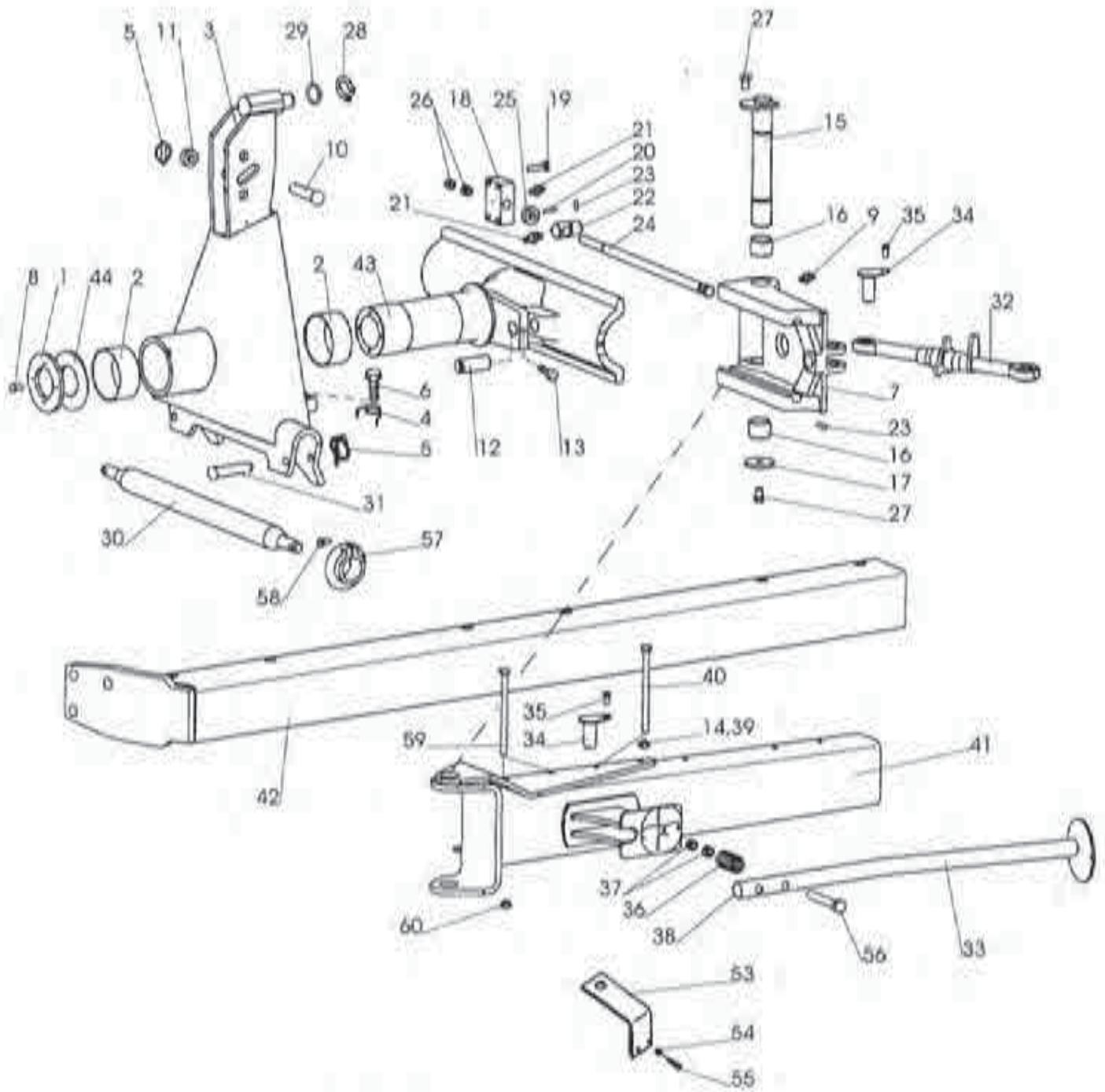
| Pos nr Pos.Nr Ref.No Fig.N° | Detalj nr Best.Nr Part No Code N° | | Benämning | Bezeichnung | Description | Description |
|--------------------------------------|--------------------------------------------|---------------------------|------------------------------------|-------------------------|-----------------------|---------------------|
| 513 | | CX 590, DX | UTRÄTNINGSCYLIND. UNDERVÄNDNING | ZENTRIRUNG- ZYLINDER | ALIGNMENT CYLINDER | VERIN D'ALIGNEM. |
| 1 | 1659 57 74 00 | 3/8 | Banjokruv | Schwenkschraube | Banjo bolt | Vis |
| 2 | 1659 44 17 00 | | Tättningsbricka | Dichtungsscheibe | Sealing washer | Rondelle |
| 3 | 1652 35 89 00 | | Buntband | Bundband | Self-locking ties | Collier |
| 4 | 1657 90 31 00 | | Adapt | Verbindungsstück | Union | Raccord |
| 5 | 1652 42 83 00 | L=2450 1/4-3/8 Banjo | Slang | Schlauch | Hose | Tuyau flexible |
| 6 | 1651 29 83 01 | | Tättningsbricka | Dichtungsscheibe | Sealing washer | Rondelle |
| 514 | | CX 590, DX | UTRÄTNINGSCYLIND. UNDERVÄNDNING | ZENTRIRUNG- ZYLINDER | ALIGNMENT CYLINDER | VERIN D'ALIGNEM. |
| 1 | 1652 10 43 00 | | Skydds slang | Schutz | Guard | Protection |
| 2 | 1651 29 83 01 | | Tättningsbricka | Dichtungsscheibe | Sealing washer | Rondelle |
| 3 | 1652 33 39 00 | 1/4 | Banjokruv | Schwenkschraube | Banjo bolt | Vis |
| 4 | 1652 39 37 00 | L=1950 1/4 Ban-3/8 Ban | Slang | Schlauch | Hose | Tuyau flexible |
| 5 | 1659 57 74 00 | 3/8 | Banjokruv | Schwenkschraube | Banjo bolt | Vis |
| 6 | 1652 55 11 50 | | Ventilblock | Ventil | Valve | Soupape |
| 7 | 1652 39 30 00 | L=1950 1/4-3/8 Banjo | Slang | Schlauch | Hose | Tuyau flexible |
| 8 | 1658 40 96 00 | | Ventil | Ventil | Valve | Soupape |
| 9 | 1659 18 11 00 | | Stryppbricka | Drosselscheibe | Restrictor washer | Restricteur |
| 10 | 1657 90 31 00 | | Adapt | Verbindungsstück | Union | Raccord |
| 11 | 1659 45 77 00 | | Adapt | Verbindungsstück | Union | Raccord |
| 12 | 1659 88 36 00 | | L-adapt | Winkel-Stück | Elbow union | Raccord angle |
| 13 | 1659 44 17 00 | | Tättningsbricka | Dichtungsscheibe | Sealing washer | Rondelle |



| Pos nr Pos.Nr Ref.No Fig.N° | Detalj nr Best.Nr Part No Code N° | | Benämning | Bezeichnung | Description | Description |
|--------------------------------------|--------------------------------------------|------------|------------------|---------------------|--------------------|-----------------------|
| 440 | | BX | TOPP | KOPSTÜCK | HEADSTOCK | TETE |
| 1 | 1659 38 70 00 | | Topp | Kopfstück | Headstock | Tete |
| 2 | 1658 81 85 90 | | Låsring | Kopfring | Lock ring | Bague d'arrêt |
| 3 | 1656 53 00 00 | | Lager | Lager | Bearing | Paler |
| 4 | 1656 61 85 00 | | Distansring | Distanzring | Spacing ring | Anneau d'écart |
| 5 | 1658 67 10 00 | | Toppstångsbult | Oberlenkerbolzen | Top link pin | Axe de 3e point |
| 6 | 1658 50 05 00 | | Snabbåls | Klappsplint | Linch pin | Goupille |
| 7 | 1658 57 79 00 | | Friktnsfjäder | Reibungsfeder | Friction spring | Ressort friction |
| 8 | 1659 49 73 90 | | Medbringare | Dreharm | Turn-over arm | Bras de retournem. |
| 9 | 1659 00 34 00 | | Cylindertapp | Zylinderstift | Cylindrical pin | Cheville cylind. |
| 10 | 1658 94 42 00 | | Cylindrisk pinne | Zapfen | Axe | Axe |
| 11 | 1659 42 45 00 | | Ledaxel | Gelenkarm | Link arm | Bras d'articul |
| 12 | 1659 28 48 90 | | Länketag undre | Strebe unterer | Cross brace lower | Tringle inférieur |
| 13 | 1659 28 47 90 | | Länketag övre | Strebe öberer | Cross brace upper | Tringle supérieur |
| 14 | 1658 97 88 00 | | Cylindrisk pinne | Zapfen | Axe | Axe |
| 15 | 1659 48 91 00 | 325-460 F | Vantskruv bakre | Spannschloss hinten | Tumbuckle rear | Ecrou-tendeur arriere |
| | 1659 59 16 00 | 400-615 H | Vantskruv bakre | Spannschloss hinten | Tumbuckle rear | Ecrou-tendeur arriere |
| 16 | 1659 48 91 00 | 325-460 H | Vantskruv framre | Spannschloss vorne | Tumbuckle front | Ecrou-tendeur avant |
| | 1659 59 16 00 | 400-615 F | Vantskruv framre | Spannschloss vorne | Tumbuckle front | Ecrou-tendeur avant |
| 18 | 1659 28 57 00 | | Distansring | Distanzring | Spacing ring | Anneau d'écart |
| 19 | 1658 58 82 90 | | Tryckfjäder | Drückfeder | Compression spring | Ressort de linquet |
| 20 | 1659 55 27 90 | | Stödben | Stützbein | Stand | Beguille |
| 21 | 1658 20 41 00 | 24/30mm | Plognyckel | Schlüssel | Spanner | Clé |
| 22 | 1659 40 63 00 | 18mm | Plognyckel | Schlüssel | Spanner | Clé |
| 23 | 1658 67 11 00 | 24/30mm | Plognyckel | Schlüssel | Spanner | Clé |
| 24 | 1658 80 85 90 | ø28x825 | Bärxaxel | Tragachse | Cross shaft | Barre d'attelage |
| | 1658 80 86 90 | ø35x965 | Bärxaxel | Tragachse | Cross shaft | Barre d'attelage |
| 26 | 1659 30 20 90 | | Styrkon | Führungskegel | Guide cone | Cone de guidage |
| 26 | 725 25 38 51 | M6S 12x35 | Skruv | Schraube | Bolt | Vis |
| 27 | 1658 58 93 00 | | Skruv | Schraube | Bolt | Vis |
| 28 | 725 27 05 81 | M6S 20x320 | Skruv | Schraube | Bolt | Vis |
| 29 | 1659 35 04 07 | M6M 20 | Mutter | Mutter | Nut | Écrou |
| 30 | 1659 36 50 07 | M6M 20 | Låsmutter | Nyloc-Mutter | Lock nut | Ecrou de freiné |
| 31 | 1659 03 74 00 | | Bricka | Scheibe | Washer | Rondelle |
| 32 | 734 11 92 01 | BRB 21x37 | Bricka | Scheibe | Washer | Rondelle |
| 33 | 725 25 00 51 | M6S 10x45 | Skruv | Schraube | Bolt | Vis |
| 34 | 1652 42 56 00 | | Låstapp | Zylinderbolzen | Pivot pin | Cheville |
| 35 | 725 26 88 81 | M6S 20x120 | Skruv | Schraube | Bolt | Vis |
| 36 | 732 21 26 51 | M6M 20 | Låsmutter | Nyloc-Mutter | Lock nut | Ecrou freiné |
| 37 | 1659 30 05 00 | | Tapp | Zylinderbolzen | Pivot pin | Axe |
| 38 | 731 43 26 01 | ML6M 20 | Mutter | Mutter | Nut | Ecrou |
| 39 | 1659 48 28 00 | | Bricka | Scheibe | Washer | Rondelle |
| 40 | 734 12 00 01 | BRB 26x45 | Bricka | Scheibe | Washer | Rondelle |
| 41 | 721 43 47 01 | FRP 6x40 | Rörpinne | Hohlstift | Tension pin | Goupille cannelée |
| 42 | 721 43 84 01 | FRP 8x45 | Rörpinne | Hohlstift | Tension pin | Goupille cannelée |
| 43 | 721 44 23 01 | FRP 10x60 | Rörpinne | Hohlstift | Tension pin | Goupille cannelée |
| 44 | 721 45 80 01 | FRP 16x150 | Rörpinne | Hohlstift | Tension pin | Goupille cannelée |
| 46 | 738 88 20 03 | AM 8x1,25 | Smörjnippel | Schmiernippel | Grease nipple | Graisseur |
| 46 | 735 31 33 01 | SGA 35 | Spåring | Nutring | Circlip | Circlips |
| 47 | 738 88 50 03 | BM 8x1,25 | Smörjnippel | Schmiernippel | Grease nipple | Graisseur |
| 48 | 1652 42 45 90 | BX 280 H | Ram | Rahmen | Main frame | Châssis-poutre |
| | 1652 42 44 90 | BX 290 H | Ram | Rahmen | Main frame | Châssis-poutre |
| | 1652 42 49 90 | BX 380 H | Ram | Rahmen | Main frame | Châssis-poutre |
| | 1652 42 48 90 | BX 390 H | Ram | Rahmen | Main frame | Châssis-poutre |

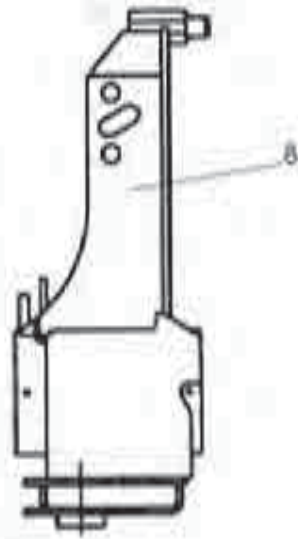
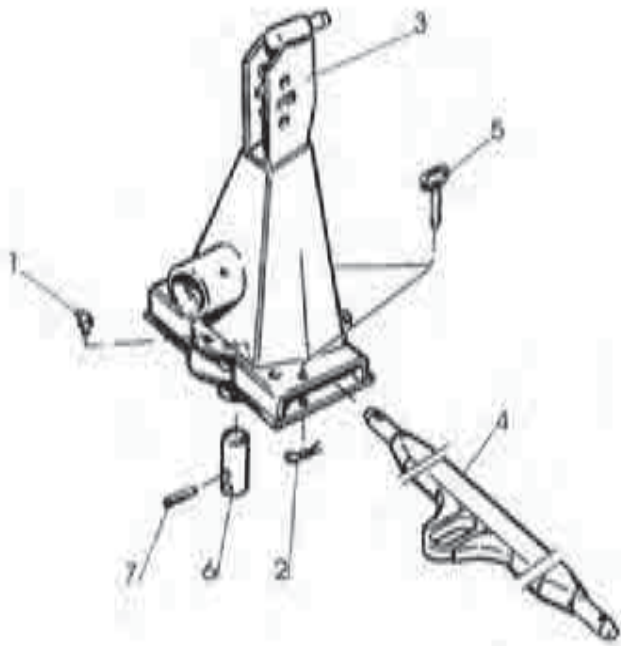


| Pos nr Pos.Nr Ref.No Fig.N° | Detail nr Best.Nr Part No Code N° | | Benämning | Bezeichnung | Description | Description |
|--------------------------------------|--------------------------------------------|------------|---------------|--------------------|-------------------|-------------------|
| 440 | | BX | TOPP | KOPSTÜCK | HEADSTOCK | TETE |
| 40 | 1652 40 95 90 | BX 200 F | Ram | Rahmen | Main frame | Châssis-poutre |
| | 1652 40 71 90 | BX 300 F | Ram | Rahmen | Main frame | Châssis-poutre |
| | 1652 40 72 90 | BX 400 F | Ram | Rahmen | Main frame | Châssis-poutre |
| | 1652 40 96 90 | BX 2100 F | Ram | Rahmen | Main frame | Châssis-poutre |
| | 1652 40 97 90 | BX 3100 F | Ram | Rahmen | Main frame | Châssis-poutre |
| 60 | 725 26 76 51 | M6S 20x60 | Skruv | Schraube | Bolt | Vis |
| 51 | 1659 73 72 00 | | Ändavslutning | Pfropf | Plug | Bouchon |
| 52 | 1652 42 41 90 | BX H | Undre länklåt | Strebe oberer | Cross brace upper | Tringle supérieur |
| | 1652 42 53 90 | BX F | Undre länklåt | Strebe oberer | Cross brace upper | Tringle supérieur |
| 53 | 1652 42 40 90 | BX H | Övre länklåt | Strebe unterer | Cross brace lower | Tringle inférieur |
| | 1652 42 52 90 | BX F | Övre länklåt | Strebe unterer | Cross brace lower | Tringle inférieur |
| 54 | 1652 40 56 90 | | Länkhylsa | Hülse | Sleeve | Manchon |
| 55 | 725 26 53 81 | M6S 16x200 | Skruv | Schraube | Bolt | Vis |
| 56 | 734 11 86 01 | BRB 17x30 | Bricka | Schaibe | Washer | Rondelle |
| 57 | 1650 36 04 05 | M6M 16 | Mutter | Mutter | Nut | Ecrou |
| 58 | 1652 33 99 00 | | Plastplugg | Kunststoffpfropfen | Plastic plug | Bouchon plastique |
| 59 | 1659 86 35 00 | | Plastplugg | Kunststoffpfropfen | Plastic plug | Bouchon plastique |
| 60 | 1659 65 30 00 | | Tapp låst | Zylinderbolzen | Pivot pin | Chaville |
| 61 | 725 26 32 51 | M6S 12x20 | Skruv | Schraube | Bolt | Vis |
| 62 | 725 26 90 51 | M6S 20x130 | Skruv | Schraube | Bolt | Vis |

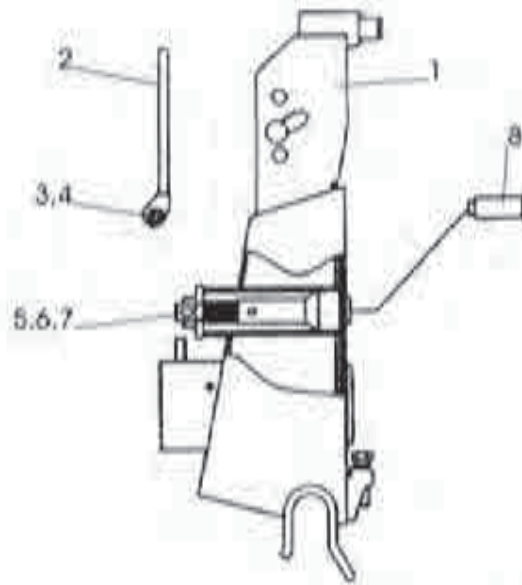


188a

| Pos nr Pos.Nr Ref.No Fig.N° | Detalj nr Best.Nr Part No Code N° | | Benämning | Bezeichnung | Description | Description |
|--------------------------------------|--------------------------------------------|------------|------------------------------------------|-------------------|--------------------|----------------------|
| 188a | | CX | TOPP OCH RAM | KÖPSTÜCK | HEADSTOCK | TETE |
| 1 | 1659 54 96 00 | | Låring | Kopfring | Lock ring | Bague d'arrêt |
| 2 | 1658 53 00 00 | | Lager | Lager | Bearing | Palier |
| 3 | 1659 38 70 90 | | Topp | Kopfstück | Headstock | Tête |
| 4 | 1658 57 79 00 | | Friktionsfjäder | Reibungsfeder | Friction spring | Ressort friction |
| 5 | 1658 50 05 00 | | Snabblås | Klappspänt | Linch pin | Goupille |
| 6 | 1658 56 93 00 | | Skruv | Schraube | Bolt | Vis |
| 7 | 1659 75 35 90 | | Medbringare | Dreham | Turn-over arm | Bras de retournem. |
| 8 | 725 25 36 51 | M6S 12x30 | Skruv | Schraube | Bolt | Vis |
| 9 | 738 66 20 03 | AM 6x1,25 | Smörjnippel | Schmiernippl | Grease nipple | Graisseur |
| 10 | 1658 67 19 00 | | Toppstångsbult | Oberlenkerbolzen | Top link pin | Axe de 3e point |
| 11 | 734 12 00 01 | BRB 26x45 | Bricka | Scheibe | Washer | Rondelle |
| 12 | 1659 00 34 00 | | Cylinderlapp | Zylinderstift | Cylindrical pin | Cheville cylind. |
| 13 | 725 26 01 51 | M6S 10x50 | Skruv | Schraube | Bolt | Vis |
| 14 | 1658 58 84 00 | | Bricka | Scheibe | Washer | Rondelle |
| 15 | 1659 54 84 00 | | Ledaxel | Gelenkarm | Link arm | Bras d'articul |
| 16 | 1659 73 71 00 | | Glidlager | Lager | Bearing | Palier |
| 17 | 1658 98 22 00 | | Bricka | Scheibe | Washer | Rondelle |
| 18 | 1659 62 89 00 | | Låsplatta | Sicherungsplatte | Lock plate | Plaque d'arrêt |
| 19 | 725 25 43 51 | M6S 12x50 | Skruv | Schraube | Bolt | Vis |
| 20 | 721 43 47 01 | FRP 6x40 | Rörpinne | Hohlstift | Tension pin | Goupille cannelée |
| 21 | 738 88 80 03 | CM 8x1,25 | Smörjnippel | Schmiernippl | Grease nipple | Graisseur |
| 22 | 1659 51 42 00 | | Lästapp | Zylinderbolzen | Pivot pin | Cheville |
| 23 | 721 43 85 01 | FRP 8x50 | Rörpinne | Hohlstift | Tension pin | Goupille cannelée |
| 24 | 1659 51 39 00 | | Justerskruv | Einsteilschraube | Adjusting screw | Vis réglage |
| 25 | 1659 57 95 90 | | Stoppring | Sicherungsring | Lock ring | Anneau d'arrêt |
| 26 | 731 43 26 01 | ML6M 20 | Mutter | Mutter | Nut | Ecrou |
| 27 | 725 26 22 51 | M6S 16x25 | Skruv | Schraube | Bolt | Vis |
| 28 | 735 31 33 01 | SgA 35 | Spåring | Sicherungsring | Circlip | Circlips |
| 29 | 1659 03 74 00 | | Bricka | Scheibe | Washer | Rondelle |
| 30 | 1658 60 85 90 | a28x625 | Bäraxel | Tragachse | Cross shaft | Barre d'attelage |
| | 1659 66 81 90 | a28x965 | Bäraxel | Tragachse | Cross shaft | Barre d'attelage |
| | 1658 60 86 90 | a30x965 | Bäraxel | Tragachse | Cross shaft | Barre d'attelage |
| 31 | 1659 30 05 00 | | Tapp | Zylinderbolzen | Pivot pin | Axe |
| 32 | 1659 48 91 00 | | Vantskruv | Spannschloss | Turnbuckle | Ecrou-tendeur |
| 33 | 1659 55 27 90 | | Stödben | Stützbein | Stand | Beguille |
| 34 | 1659 62 98 00 | | Tapp | Zylinderbolzen | Pivot pin | Axe |
| 35 | 725 25 32 51 | M6S 12x20 | Skruv | Schraube | Bolt | Vis |
| 36 | 1658 68 82 90 | | Tryckfjäder | Drückfeder | Compression spring | Ressort de linquet |
| 37 | 1659 48 28 00 | | Bricka | Scheibe | Washer | Rondelle |
| 38 | 1659 73 72 00 | | Plugg | Knopf | Knob | Bouchon |
| 39 | 1659 36 07 05 | M6M 16 | Mutter | Mutter | Nut | Ecrou |
| 40 | 1659 66 56 00 | M6S 16x215 | Skruv | Schraube | Bolt | Vis |
| 41 | 1659 62 65 90 | | Dragbom | Zugrahmen | Draw frame | Châssis d'attelage |
| | 1659 77 41 90 | 3100,4100 | Dragbom med 1 st främre skivristfästa | Zugrahmen bracket | Draw frame bracket | Châssis d'attelage |
| | 1652 13 86 90 | 590 | Dragbom | Zugrahmen | Draw frame | Châssis d'attelage |
| 42 | 1652 25 91 90 | 290 H,F | Ram | Rahmen | Main frame | Châssis-poutre |
| | 1659 75 41 90 | 390 H,F | Ram | Rahmen | Main frame | Châssis-poutre |
| | 1659 77 49 90 | 3100 F | Ram skivrister på alla | Rahmen | Main frame | Châssis-poutre |
| | 1659 88 95 90 | 3100 H | Ram | Rahmen | Main frame | Châssis-poutre |
| | 1659 75 42 90 | 490 H,F | Ram | Rahmen | Main frame | Châssis-poutre |
| | 1659 77 50 90 | 4100 F | Ram skivrister på alla | Rahmen | Main frame | Châssis-poutre |
| | 1659 88 96 90 | 4100 H,F | Ram | Rahmen | Main frame | Châssis-poutre |
| | 1659 86 34 90 | CX 590 F | Ram | Rahmen | Main frame | Châssis-poutre |
| | 1659 91 16 90 | CX 590 H | Ram | Rahmen | Main frame | Châssis-poutre |
| 43 | 1659 75 34 90 | | Gejder | Kopf-Schiffen | Turn-overarm | Bras de retournement |
| 44 | 1652 22 34 00 | | Bricka vid behov | Scheibe | Washer | Rondelle |
| 53 | 1652 14 96 00 | | Hållare | Halterarm | Bracket | Support fixation |
| 54 | 731 23 16 01 | M6M 6 | Mutter | Mutter | Nut | Ecrou |
| 55 | 725 23 79 51 | M6S 6x46 | Skruv | Schraube | Bolt | Vis |
| 56 | 725 20 90 51 | M6S 20x130 | Skruv | Schraube | Bolt | Vis |
| 57 | 1659 30 20 90 | | Styrkoni | Führungskegel | Guide cone | Cone de guidage |
| 58 | 725 25 38 51 | M6S 12x36 | Skruv | Schraube | Bolt | Vis |
| 59 | 1659 05 31 00 | M6S 20x215 | Skruv | Schraube | Bolt | Vis |
| 60 | 1659 36 07 07 | M6M 20 | Mutter | Mutter | Nut | Ecrou |

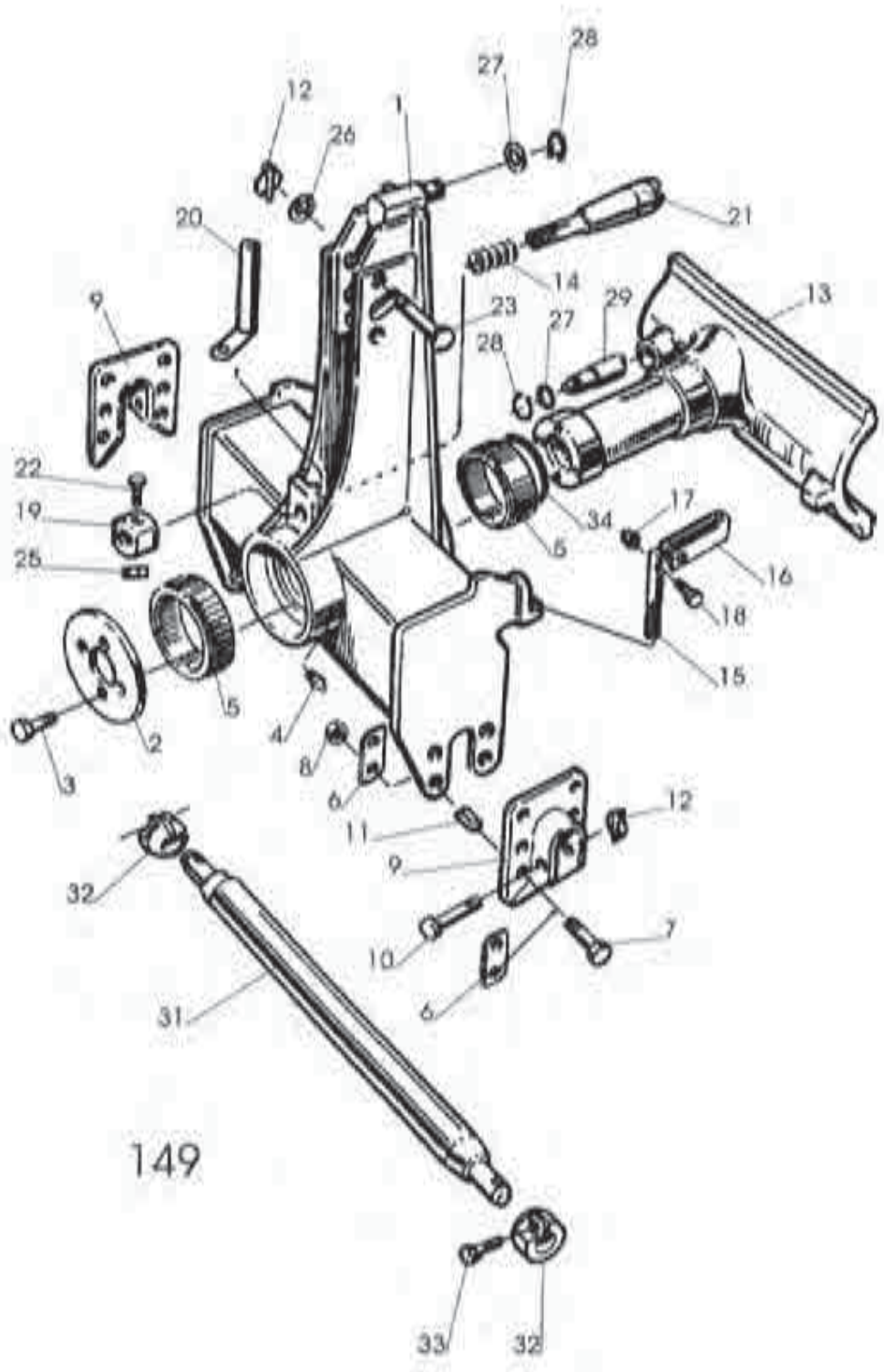


390

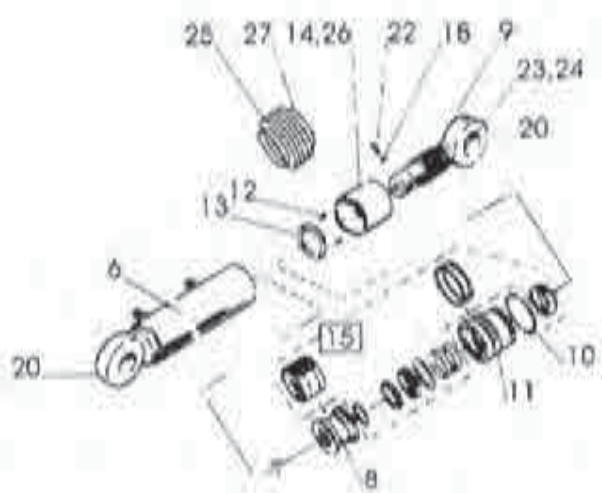
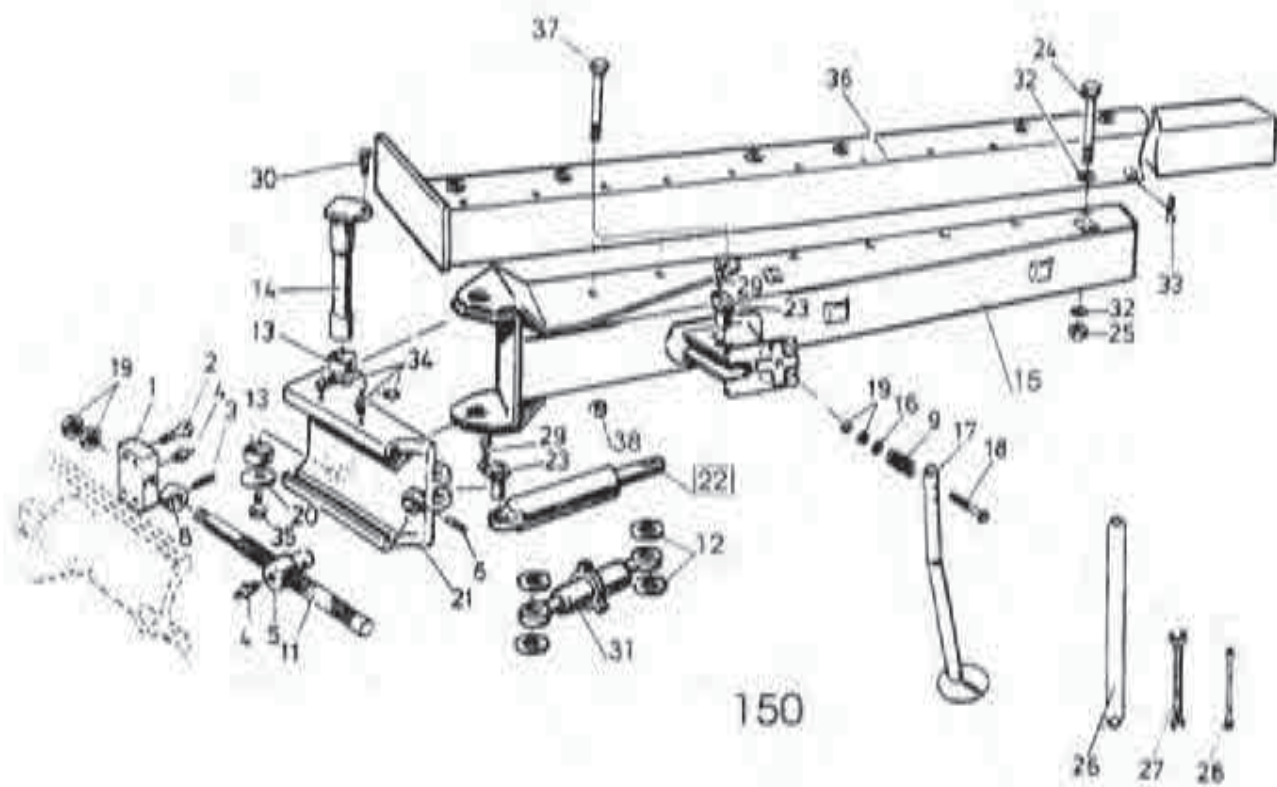


391

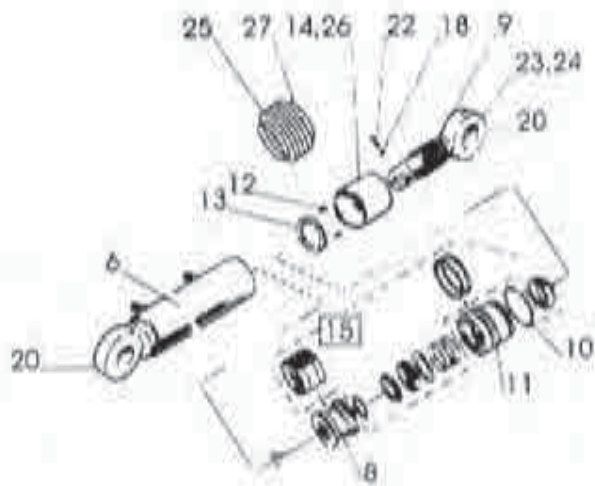
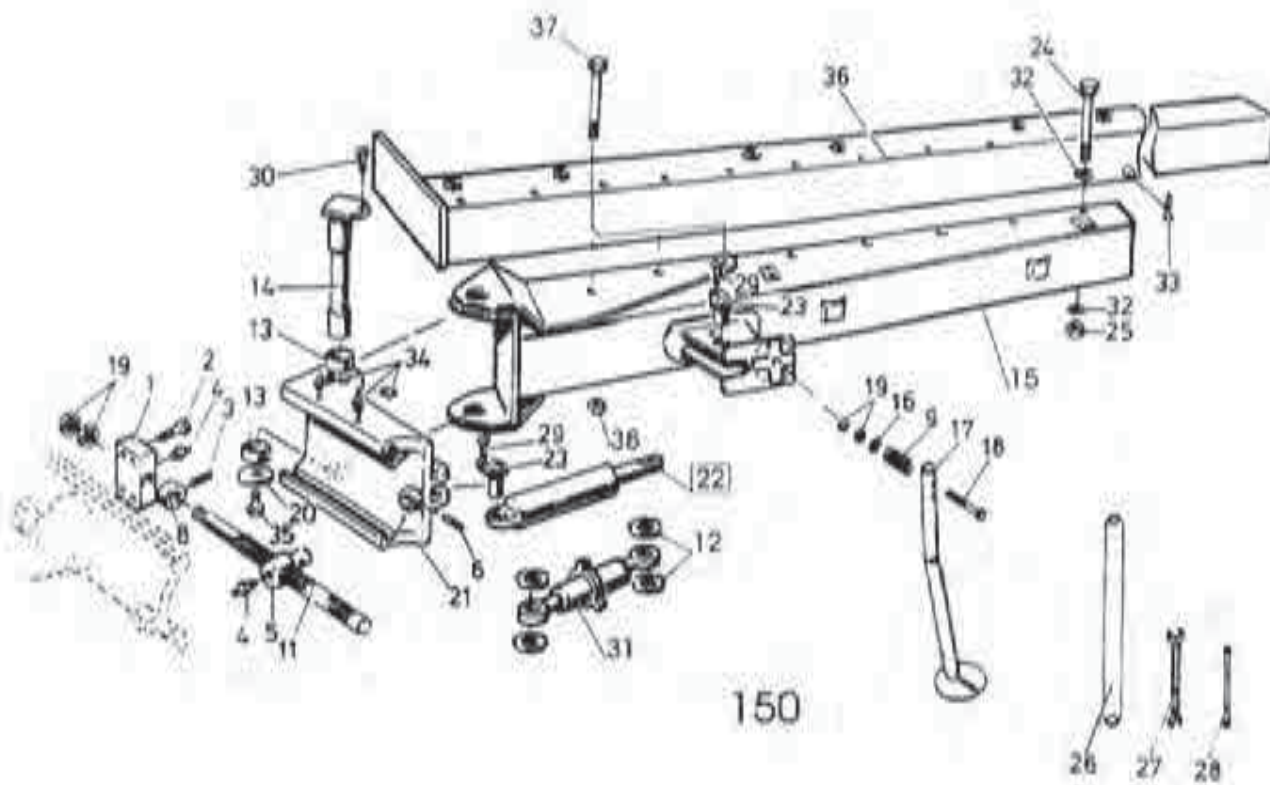
| Pos nr Pos.Nr Ref.No Fig.N° | Detail nr Best.Nr Part No Code N° | | Benämning | Bezeichnung | Description | Description |
|--------------------------------------|--------------------------------------------|-------------------|-------------|-----------------|--------------------|-----------------------|
| 300 | | CX, DX | TOPP | KOPSTÜCK | HEADSTOCK | TETE |
| 1 | 738 88 20 03 | AM 8x1,25 | Smörjnippel | Schmiernippel | Grease nipple | Graisseur |
| 2 | 1658 57 63 00 | | Låstfjäder | Klemmfeder | Locking spring | Goupille cavalier |
| 3 | 1659 39 60 90 | Span CX | Topp | Kopfstück | Headstock | Tête |
| 4 | 1659 90 23 90 | e28x825(Sp) CX | Båraxel | Tragachse | Gross shaft | Barre d'attelage |
| | 1659 95 03 90 | e36x985(Sp) CX | Båraxel | Tragachse | Gross shaft | Barre d'attelage |
| | 1652 03 26 90 | e36x985(Sp) DX | Båraxel | Tragachse | Gross shaft | Barre d'attelage |
| 5 | 1659 59 75 00 | Span | Tapp | Zylinderbolzen | Pivot pin | Axe |
| 6 | 1659 39 62 00 | Span | Låstapp | Zylinderbolzen | Pivot pin | Chevile |
| 7 | 721 44 27 01 | Span | Rörpinna | Hohlstift | Tension pin | Goupille cannelée |
| 8 | 1652 03 14 90 | Span DX | Topp | Kopfstück | Headstock | Tête |
| 301 | | CX | TOPP | KOPSTÜCK | HEADSTOCK | TETE |
| 1 | 1652 02 24 90 | | Topp | Kopfstück | Headstock | Tête |
| 2 | 1659 70 25 60 | | Handtag | Handgriff | Handle | Poignée |
| 3 | 732 21 22 51 | | Låsmutter | Nyloc-Mutter | Lock nut | Ecrou freiné |
| 4 | 725 25 46 51 | M6S 12x70 | Skruv | Schraube | Bolt | Vis |
| 5 | 1658 58 82 90 | | Tryckfjäder | Drückfeder | Compression spring | Ressort de linquet |
| 6 | 1659 70 02 00 | | Topplåta | Zylinderbolzen | Pivot pin | Axe |
| 7 | 1659 70 01 00 | | Låsmuff | Konternmutter | Locking nut | Ecrou de verrouillage |
| 8 | 1652 02 28 00 | | Tapp | Zylinderbolzen | Pivot pin | Axe |



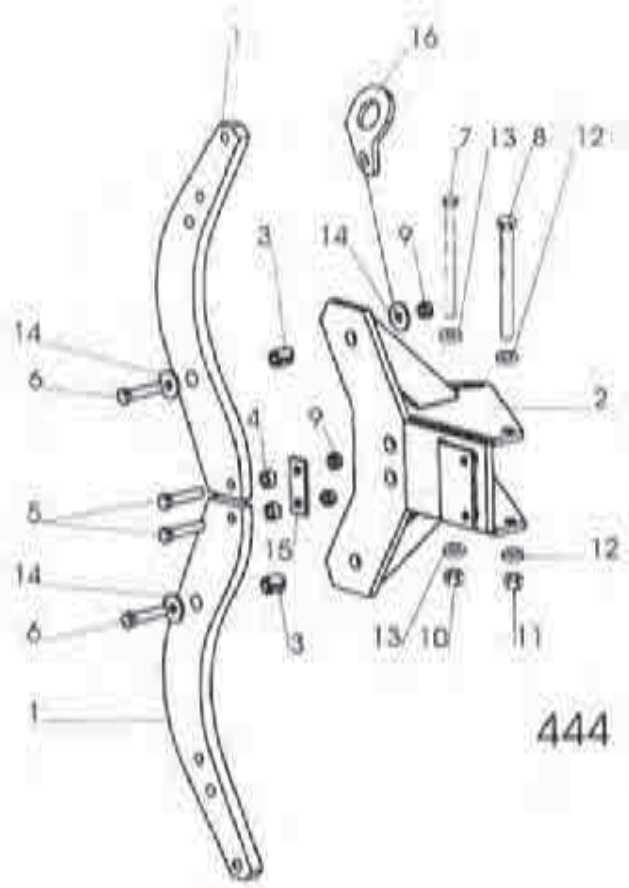
| Pos nr Pos.Nr Ref.No Fig.N° | Detalj nr Best.Nr Part No Code N° | | Benämning | Bezeichnung | Description | Description |
|--------------------------------------|--------------------------------------------|----------------|-----------------|-----------------|-----------------|-----------------------------|
| 149 | | DX | TOPP | KOPFSTÜCK | HEADSTOCK | TÊTE |
| 1 | 1659 48 50 00 | | Topp | Kopfstück | Headstock | Tête |
| 2 | 1659 49 40 00 | | Låring | Kopfring | Lock ring | Bague d'arrêt |
| 3 | 725 26 24 51 | M6S 16x30 | Skruv | Schraube | Bolt | Vis |
| 4 | 738 88 20 03 | AM 8x1,25 | Smörgnippel | Schmierlippel | Grease nipple | Graisneur |
| 5 | 1659 61 22 00 | 180/150 | Lager | Lager | Bearing | Pailier |
| 6 | 1659 45 52 00 | | Bricka | Scheibe | Washer | Rondelle |
| 7 | 725 26 33 81 | M6S 16x65 | Skruv | Schraube | Bolt | Vis |
| 8 | 1659 35 04 05 | M6M 16 | Mutter | Mutter | Nut | Ecrou |
| 9 | 1659 45 50 00 | | Bäraxellager | Tragachsenlager | Shaft bearing | Pailier de barre d'attelage |
| 10 | 1659 30 05 00 | | Tapp | Zylinderbolzen | Pivot pin | Axe |
| 11 | 1658 62 40 01 | FRP 28x28 | Rörpinne | Hohlstift | Tension pin | Goupille cannelée |
| 12 | 1658 50 05 00 | | Snabbblås | Klappsplint | Linch pin | Goupille |
| 13 | 1652 05 05 00 | incl.pos 29,34 | Gajder | Kopf-Schleifen | Turn-overarm | Bras de retournement |
| 14 | 1658 58 82 00 | | Tryckfjäder | Druckfeder | Compression | Ressort de |
| 15 | 1659 57 78 00 | | Ställskruv | Stellschraube | Adjusting screw | Vis de réglage |
| 16 | 1659 57 84 00 | | Handtag | Handgriff | Handle | Poignée |
| 17 | 732 21 18 51 | M6M 8 Loc | Mutter | Mutter | Nut | Ecrou |
| 18 | 725 24 61 51 | M6S 8x50 | Skruv | Schraube | Bolt | Vis |
| 19 | 1659 70 01 00 | | Låring | Kopfring | Lock ring | Bague d'arrêt |
| 20 | 1659 70 25 80 | | Handtag | Handgriff | Handle | Poignée |
| 21 | 1659 70 02 00 | | Låstapp | Zylinderbolzen | Pivot pin | Cheville |
| 22 | 725 25 46 51 | M6S 12x70 | Skruv | Schraube | Bolt | Vis |
| 23 | 1659 81 98 00 | | Tapp | Zylinderbolzen | Pivot pin | Axe |
| 25 | 732 21 22 51 | M6M 12 Loc | Mutter | Mutter | Nut | Ecrou |
| 26 | 734 12 06 01 | BRB 34x60 | Bricka | Scheibe | Washer | Rondelle |
| 27 | 1659 03 74 00 | | Bricka | Scheibe | Washer | Rondelle |
| 28 | 735 31 33 01 | SGA 36 | Spåring | Sicherungsring | Circlip | Circlips |
| 29 | 1659 51 48 00 | | Cylindertapp | Zapfen | Axle | Axe |
| 31 | 1659 96 81 00 | e28x965 | Bäraxel | Tragachse | Cross shaft | Barre d'attelage |
| | 1658 00 86 00 | e36x965 | Bäraxel | Tragachse | Cross shaft | Barre d'attelage |
| 32 | 1659 30 20 90 | | Styrken | Führungskegel | Guide cone | Cône de guidage |
| 33 | 725 25 38 51 | M6S 12x35 | Skruv | Schraube | Bolt | Vis |
| 34 | 1659 37 22 00 | | Distansring | Distanzring | Spacer ring | Bague distance |
| 35 | 1659 85 44 00 | | Monteringspasta | Creme | Paste | Pâte |



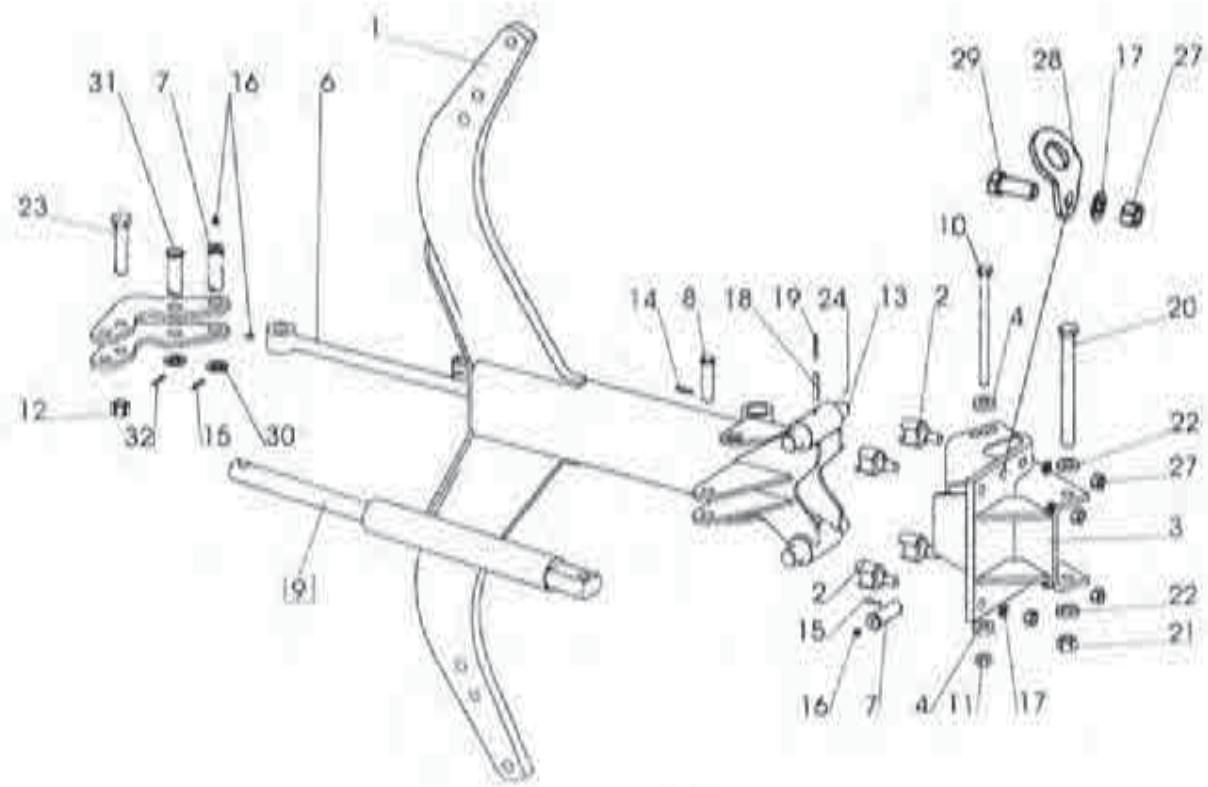
| Pos nr Pos.Nr Ref.No Fig.N° | Detail nr Best.Nr Part No Code N° | Benämning | Bezeichnung | Description | Description | |
|--------------------------------------|--------------------------------------------|----------------|------------------------|------------------|-----------------|------------------------|
| 150 | | DX | RAM | RAHMEN | MAIN | Châssis-poutre |
| 1 | 1650 51 43 00 | | Låsplatta | Sicherungsplatte | Lock plate | Plaque d'arrêt |
| 2 | 725 26 43 51 | M6S 12x55 | Skruv | Schraube | Bolt | Vis |
| 3 | 721 43 47 01 | FRP 6x40 | Rörpinne | Hohlstift | Tension pin | Goupille cannelée |
| 4 | 736 88 80 03 | CM 8x1,25 | Smörjnippel | Schmiernippel | Grease nipple | Graisseur |
| 5 | 1650 51 42 00 | | Låstapp | Zylinderbolzen | Pivot pin | Cheville |
| 6 | 721 43 85 01 | FRP 8x50 | Rörpinne | Hohlstift | Tension pin | Goupille cannelée |
| 8 | 1650 57 95 00 | | Stoppring | Sicherungering | Lock ring | Anneau d'arrêt |
| 9 | 1658 58 82 00 | | Fjäder | Feder | Spring | Ressort |
| 11 | 1650 51 30 00 | | Justerskruv | Einstellschraube | Adjusting screw | Vis réglage |
| 12 | 1652 39 60 00 | DX 390 | Distanshylsa | Distanzhülse | Spacing sleeve | Bague d'entretoisement |
| 13 | 1650 55 25 00 | | Lager | Lager | Bearing | Pailier |
| 14 | 1650 40 17 00 | | Länkaxel | Gelenkwelle | Link axle | Bras de articulation |
| 15 | 1650 58 40 00 | | Dragbom | Zugrahmen | Draw frame | Châssis d'attelage |
| | 1650 83 09 00 | F (skivrist) | Dragbom | Zugrahmen | Draw frame | Châssis d'attelage |
| | 1652 05 25 00 | DX5100H-DX690F | Dragbom | Zugrahmen | Draw frame | Châssis d'attelage |
| 16 | 1650 48 28 00 | | Bricka | Scheibe | Washer | Rondelle |
| 17 | 1650 55 27 00 | | Stödben | Stützbein | Stand | Béguille |
| 18 | 725 26 90 51 | M6S 20x130 | Skruv | Schraube | Bolt | Vis |
| 19 | 731 43 26 01 | ML6M 20 | Mutter | Mutter | Nut | Ecrou |
| 20 | 1650 40 37 00 | | Bricka | Scheibe | Washer | Rondelle |
| 21 | 1650 48 27 00 | | Medbringare | Dreharm | Turn-over arm | Bras de retournement |
| 22 | 1650 38 20 50 | Page 21 | Ulträtningcylinder | Zentrierungszyl. | Alignment | Vérin d'alignement |
| 23 | 1650 00 80 00 | | Cylindertapp | Zapfen | Axe | Axe |
| | 1650 02 98 00 | DX 390 | Cylindertapp | Zapfen | Axe | Axe |
| 24 | 725 26 53 81 | M6S 16x200 | Skruv | Schraube | Bolt | Vis |
| 25 | 1650 36 07 05 | M8M 16 | Mutter | Mutter | Nut | Ecrou |
| 26 | 1658 67 11 00 | 24/30 mm | Plognyckel | Schlüssel | Spanner | Clé |
| 27 | 1658 20 41 00 | 24/30 mm | Plognyckel | Schlüssel | Spanner | Clé |
| 28 | 1650 40 83 00 | 18 mm | Plognyckel | Schlüssel | Spanner | Clé |
| 29 | 725 26 32 51 | M6S 12x20 | Skruv | Schraube | Bolt | Vis |
| 30 | 725 26 22 51 | M6S 16x26 | Skruv | Schraube | Bolt | Vis |
| 31 | 1650 50 16 00 | DX 390 | Vantskruv | Spannschloss | Turnbuckle | Ecrou-tendeur |
| 32 | 734 11 86 01 | BRB 17x30 | Bricka | Scheibe | Washer | Rondelle |
| 33 | 1658 57 63 00 | | Låsfäder | Klemmfeder | Locking spring | Goupille cavalier |
| 34 | 736 88 20 03 | AM 8x1,25 | Smörjnippel | Schmiernippel | Grease nipple | Graisseur |
| 35 | 725 26 73 81 | M6S 20x45 | Skruv | Schraube | Bolt | Vis |
| 36 | 1652 28 17 00 | DX 398 | Ram | Rahmen | Main frame | Châssis-poutre |
| | 1650 57 10 00 | DX 498 | Ram | Rahmen | Main frame | Châssis-poutre |
| | 1652 05 26 00 | DX 698F | Ram | Rahmen | Main frame | Châssis-poutre |
| | 1650 48 76 00 | DX 598 | Ram | Rahmen | Main frame | Châssis-poutre |
| | 1652 41 14 00 | DX 3100H | Ram | Rahmen | Main frame | Châssis-poutre |
| | 1652 41 13 00 | DX 3100F | Ram | Rahmen | Main frame | Châssis-poutre |
| | 1650 63 14 00 | DX 4100 | Ram | Rahmen | Main frame | Châssis-poutre |
| | 1650 63 15 00 | DX 5100 | Ram | Rahmen | Main frame | Châssis-poutre |
| | 1650 83 11 00 | DX 4100F | Ram skivristar på alla | Rahmen | Main frame | Châssis-poutre |
| | 1650 83 12 00 | DX 5100F | Ram skivristar på alla | Rahmen | Main frame | Châssis-poutre |
| 37 | 725 27 01 81 | M6S 20x240 | Skruv | Schraube | Bolt | Vis |
| 38 | 1650 36 07 07 | M20 | Mutter | Mutter | Nut | Ecrou |



| Pos nr Pos.Nr Ref.No Fig.N°. | Detail nr Best.Nr Part No Code N°. | Benämning | Bezeichnung | Description | Description | |
|---------------------------------------|---------------------------------------------|--------------|------------------------|-------------------|-------------------|-----------------------|
| 185 | | DX,CX 590 | UTRÄTNINGSCYL | ZENTRIRUNGZYL. | ALIGNMENT | VÉRIN D'ALIGNEMENT |
| | 1059 87 43 50 | 440-530 ø100 | Uträttningscylinder CX | Zentrirungzyl. CX | Alignment CX | Vérin d'alignement CX |
| | 1059 38 20 50 | 440-530 ø100 | Uträttningscylinder DX | Zentrirungzyl. DX | Alignment DX | Vérin d'alignement DX |
| 6 | 1052 39 76 50 | CX 590 | Cylinderrör | Zylindermantel | Cylinder jacket | Corps de vérin |
| | 1052 39 75 50 | DX | Cylinderrör | Zylindermantel | Cylinder jacket | Corps de vérin |
| 8 | 1059 38 26 00 | | Kolv | Kolben | Piston | Piston |
| 9 | 1059 87 47 00 | CX 590 | Kolvstång | Kolbenstange | Piston rod | Tige de piston |
| | 1059 38 24 00 | DX | Kolvstång | Kolbenstange | Piston rod | Tige de piston |
| 10 | 1058 91 76 00 | | Låsring | Kopfring | Lock ring | Bague d'arrêt |
| 11 | 1059 38 27 00 | | Styrning | Führung | Guide | Guidage |
| 12 | 725 53 66 01 | MC6S 6x16 | Skruv | Schraube | Bolt | Vis |
| 13 | 1059 38 29 00 | | Låsbricka | Sicherungsscheibe | Lock washer | Rondelle d'arrêt |
| 14 | 1059 38 31 50 | | Ställhylsa | Einstellhülse | Adjustment sleeve | Manchon réglable |
| 15 | 1059 38 41 00 | | Packningssett | Packungsgarnitur | Set of seals | Jeu de joints |
| 16 | 1059 45 69 00 | | Frktionsstav | Reibungsfeder | Friction spring | Ressort de friction |
| 20 | 736 88 10 01 | AH M6 | Smörjnippl | Schmiernippel | Grease nipple | Graisseur |
| 22 | 720 84 43 01 | SK6SS 8x8 | Skruv | Schraube | Bolt | Vis |
| 23 | 1058 64 05 02 | CX 590 | Ledlager | Rotule | Bearing | Palier |
| 24 | 735 31 40 11 | CX 590 | Spärring | Nutring | Circlip | Circlips |
| 25 | 1052 23 68 00 | | Balg | Balg | Bellows | Soufflet |
| 26 | 1059 14 53 00 | | Buntband | Bundband | Self-locking ties | Collier |
| 27 | 736 26 52 00 | | Slangklämma | Schlauchklammer | Hose clip | Collier |

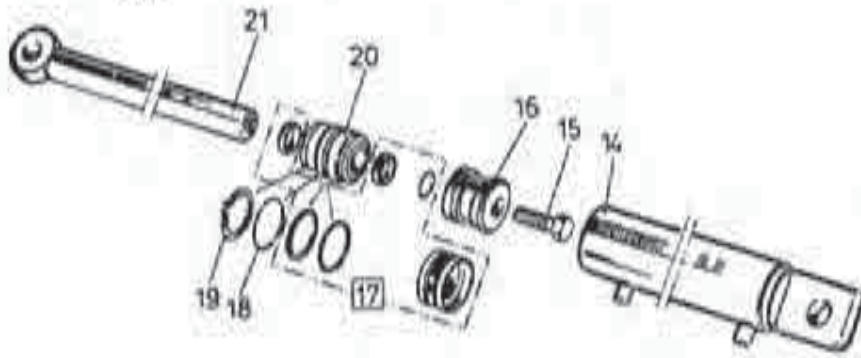
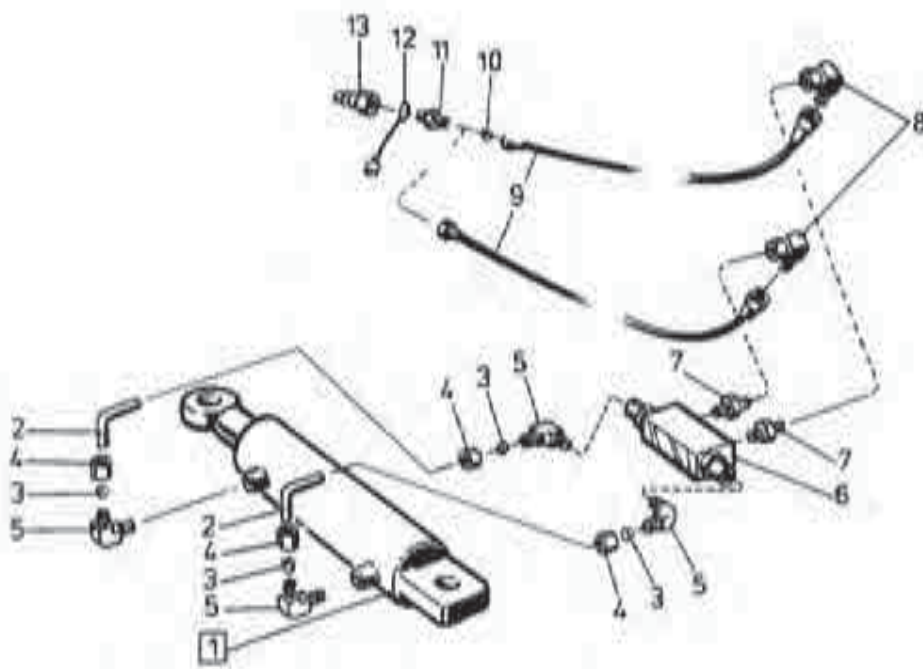


444

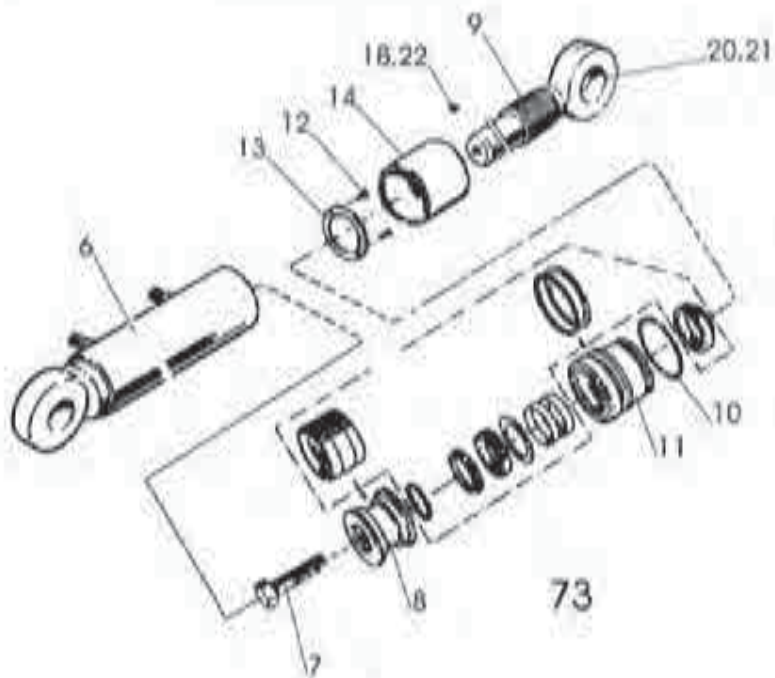


445

| Pos nr Pos.Nr Ref.No Fig.N° | Detail nr Best.Nr Part No Code N° | Benämning | Bezeichnung | Description | Description | |
|--------------------------------------|--------------------------------------------|------------|---------------------|-----------------------|----------------------|------------------------|
| 444 | | F | ASHUS | GRINDELGEHÄUSE | BEAM HOUSING | SUPPORT D'AGE |
| 1 | 1659 14 02 90 | 700 | Åsben | Körperhalter | Leg | Etancon |
| | 1659 21 27 90 | 750 | Åsben | Körperhalter | Leg | Etancon |
| | 1659 45 44 90 | 800 | Åsben | Körperhalter | Leg | Etancon |
| 2 | 1659 90 02 90 | | Åsfäste kompl | Grindelgehäuse kpl. | Beam housing cpl. | Support d'age cpl. |
| 3 | 1658 62 40 03 | | Rörpinne | Hohlstift | Tension pin | Goupille cannelée |
| 4 | 1659 14 06 00 | | Hylsa | Hülse | Sleeve | Manchon |
| 5 | 1659 13 99 00 | | Brytbult | Bolzen | Bolt | Vis |
| 6 | 725 26 36 81 | M6S 16x80 | Skruv | Schraube | Bolt | Vis |
| 7 | 1659 08 56 00 | M6S 16x215 | Skruv | Schraube | Bolt | Vis |
| 8 | 1659 05 31 00 | M6S 20x215 | Skruv | Schraube | Bolt | Vis |
| 9 | 1659 36 04 05 | M6M 16 | Mutter | Mutter | Nut | Ecrou |
| 10 | 1659 36 07 05 | M6M 16 | Mutter | Mutter | Nut | Ecrou |
| 11 | 1659 36 07 07 | M6M 20 | Mutter | Mutter | Nut | Ecrou |
| 12 | 1658 35 87 00 | | Bricka | Scheibe | Washer | Rondelle |
| 13 | 1658 58 84 00 | | Bricka | Scheibe | Washer | Rondelle |
| 14 | 1658 64 33 00 | | Bricka | Scheibe | Washer | Rondelle |
| 15 | 1659 14 03 00 | | Bricka | Scheibe | Washer | Rondelle |
| 16 | 1652 42 03 60 | | Lyftfäste | Transporthebeösen | Lifting device | Crochet de manurention |
| 445 | | H | ASHUS | GRINDELGEHÄUSE | BEAM HOUSING | SUPPORT D'AGE |
| 1 | 1658 60 43 90 | 730 | Ås | Grindel | Beam | Age |
| | 1659 61 12 90 | 800 | Ås | Grindel | Beam | Age |
| 2 | 1658 60 80 00 | | Säte | Sitz | Seat | Siège |
| 3 | 1659 05 00 90 | | Åsfäste | Grindelgehäuse | Beam housing | Support d'age |
| 4 | 1658 58 84 00 | | Bricka | Scheibe | Washer | Rondelle |
| 5 | 1658 60 56 90 | | Hävarm | Hebelarm | Walking beam | Bras de levier |
| | 1652 15 56 90 | | Hävarm | Hebelarm | Walking beam | Bras de levier |
| 6 | 1652 59 02 50 | | Dragstång | Zugslange | Draw rod | Barre f d'attelage |
| 7 | 1658 60 79 00 | | Tapp | Zylinderbolzen | Pivot pin | Axe |
| 8 | 1657 23 99 01 | ø20 | Cylindrisk bult | Bolzen | Pivot pin | Cheville |
| 9 | 1652 15 50 50 | Page 31 | Hydr cylinder kompl | Hydr. Zylinder kompl | Hydr. Cylinder compl | Vérin hydraulique cpl. |
| 10 | 1659 08 56 00 | M6S 16x215 | Skruv | Schraube | Bolt | Vis |
| 11 | 1659 36 07 05 | M6M 16 12 | Mutter | Mutter | Nut | Ecrou |
| 12 | 1659 36 50 07 | Locking 20 | Mutter | Mutter | Nut | Ecrou |
| 13 | 1658 60 44 00 | | Tapp | Zylinderbolzen | Pivot pin | Axe |
| 14 | 721 42 62 01 | FRP 4x32 | Rörpinne | Hohlstift | Tension pin | Goupille cannelée |
| 15 | 721 43 15 01 | FRP 5x36 | Rörpinne | Hohlstift | Tension pin | Goupille cannelée |
| 16 | 738 68 20 03 | AM 5x1,25 | Smörjnippel | Schmierlippel | Grease nipple | Graisseur |
| 17 | 734 11 92 01 | BRB 21x37 | Bricka | Scheibe | Washer | Rondelle |
| 18 | 721 43 85 01 | FRP 8x50 | Rörpinne | Hohlstift | Tension pin | Goupille cannelée |
| 19 | 721 43 18 01 | FRP 8x50 | Rörpinne | Hohlstift | Tension pin | Goupille cannelée |
| 20 | 1659 05 31 00 | M6S 20x215 | Skruv | Schraube | Bolt | Vis |
| 21 | 1659 36 07 07 | M6M 20 12 | Mutter | Mutter | Nut | Ecrou |
| 22 | 1658 35 87 00 | | Bricka | Scheibe | Washer | Rondelle |
| 23 | 1659 19 45 00 | | Skruv | Schraube | Bolt | Vis |
| 24 | 1659 80 96 00 | 800 | Cylindrisk pinne | Zapfen | Pin | Axe |
| 27 | 731 23 26 51 | M6M 20 | Mutter | Mutter | Nut | Ecrou |
| 28 | 1652 22 43 60 | | Lyftfäste | Transporthebeösen | Lifting device | Crochet de manurention |
| 29 | 725 26 74 81 | M6S 20x50 | Skruv | Schraube | Bolt | Vis |
| 30 | 734 12 00 01 | BRB 26x46 | Bricka | Scheibe | Washer | Rondelle |
| 31 | 1652 59 14 00 | ø26 | Cylindrisk bult | Bolzen | Pivot pin | Cheville |
| 32 | 721 43 47 01 | FRP 6x40 | Rörpinne | Hohlstift | Tension pin | Goupille cannelée |

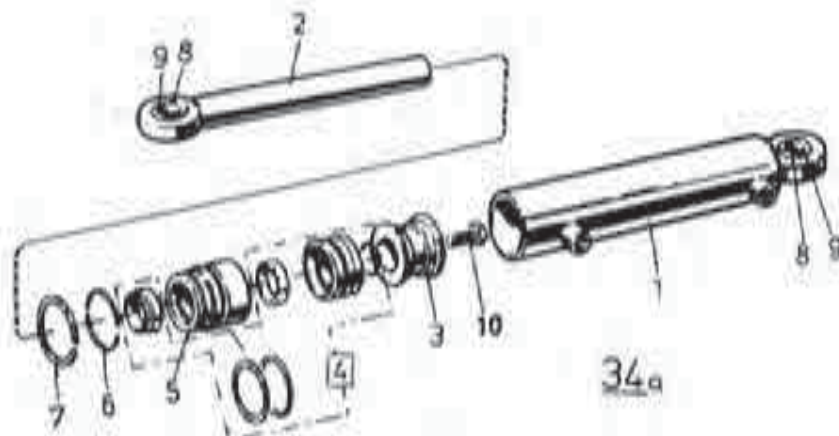
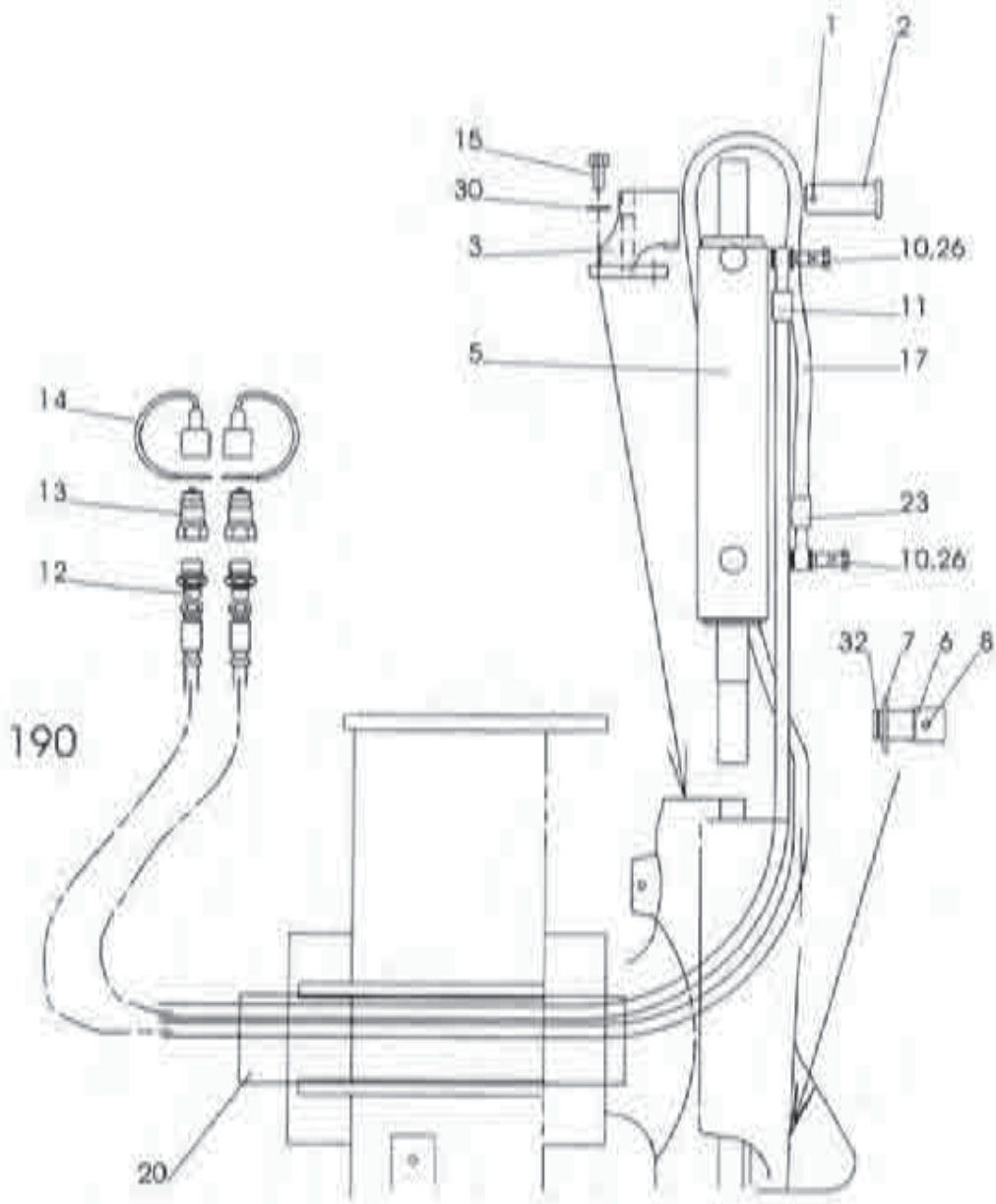


21

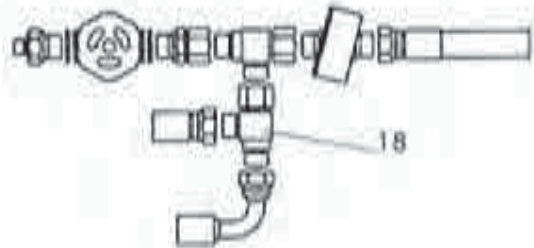
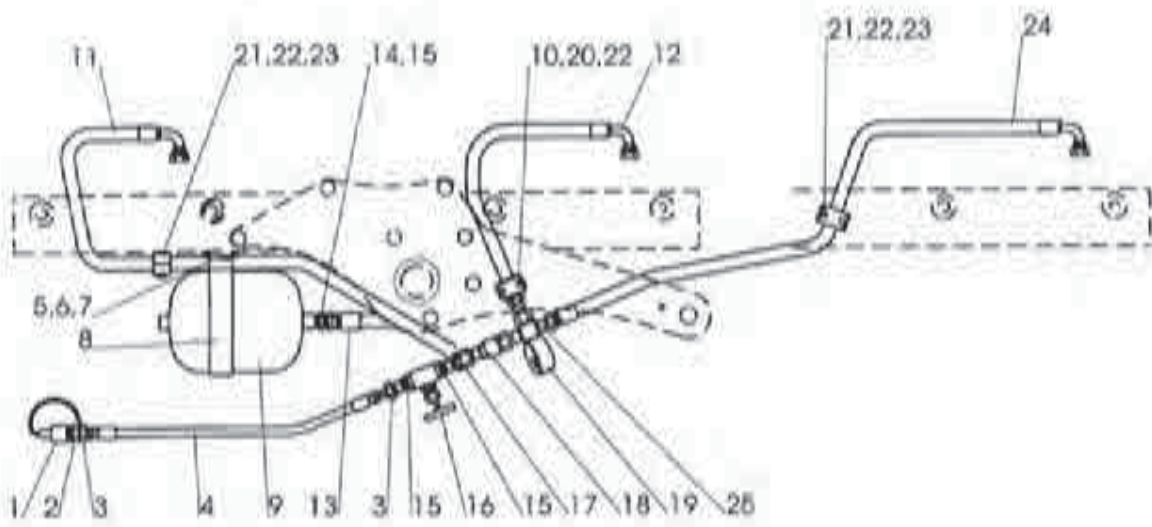


73

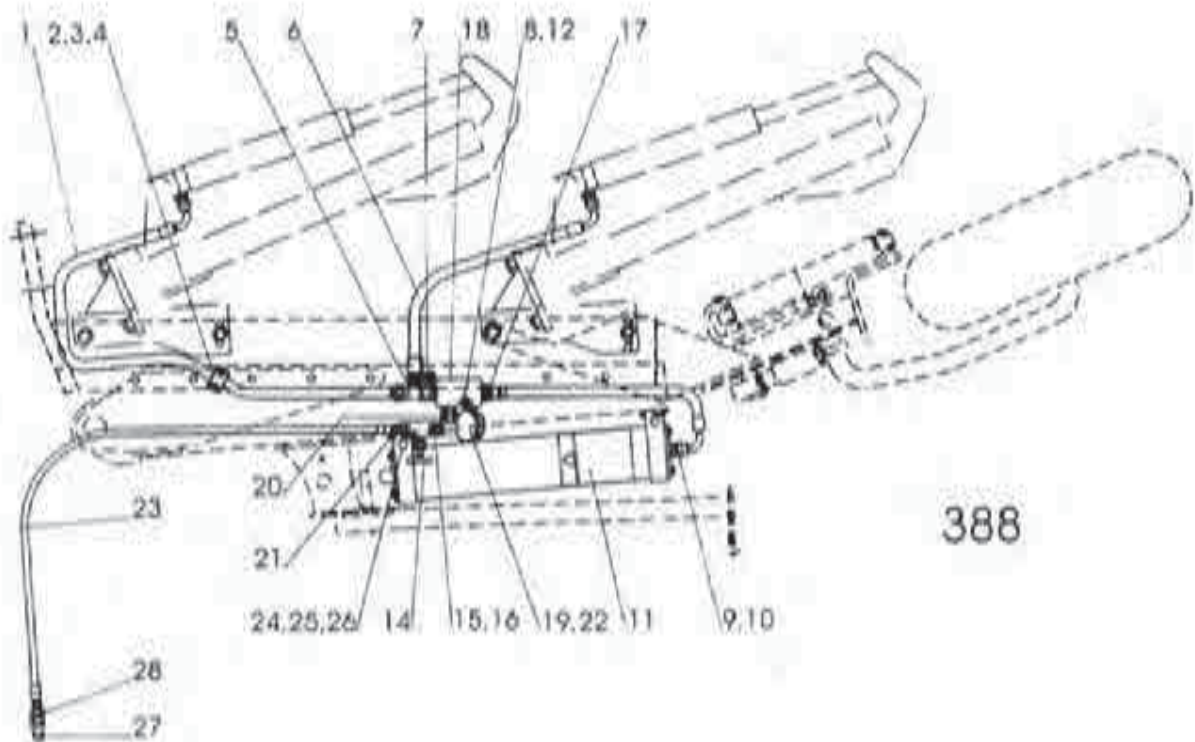
| Pos nr Pos.Nr Ref.No Fig.N° | Detalj nr Best.Nr Part No Code N° | | Benämning | Bezeichnung | Description | Description |
|--------------------------------------|--------------------------------------------|-------------|-------------------------------------|---------------------------------------------------------|------------------------------------------------|-------------------------------------|
| 21 | | BX | HYDRAULISK SIDOREGLERING | HYDRAULISCHE SCHNITTBREITEN- VERSTELLUNG | HYDRAULIC FRONT-FURROW ADJUSTER | DEPORTATEURE HYDRAULIQUE |
| | 1659 30 72 50 | | Hydraulisk sidoreglering | Hydraulische Schnittbreiten- verstellung | Hydraulic Front-furrow Adjuster | Deportateure Hydraulique |
| 1 | 1659 29 03 50 | 375-500 a83 | Hydr cylinder | Hydr.Zylinder | Hydr.cylinder | Vérin cpl. |
| 2 | 1658 62 14 00 | | Rör | Rohr | Tube | Tuyau |
| 3 | 1658 38 99 00 | | Skärning | Schneidring | Olive | Olive |
| 4 | 1658 39 01 00 | | Mutter | Mutter | Nut | Ecrou |
| 5 | 1658 34 54 00 | | L-adapt | Winkel-Stück | Elbow-union | Raccord angle |
| 6 | 1658 95 00 00 | | Ventil | Ventil | Valve | Soupape |
| 7 | 1657 90 31 00 | | Adapt | Verbindungsstück | Union | Raccord |
| 8 | 1658 56 36 00 | | L-adapt | Winkel-Stück | Elbow-union | Raccord angle |
| 9 | 1657 72 36 00 | | Slang | Schlauch | Hose | Tuyau flexible |
| 10 | 1659 18 11 00 | | Strypbricka | Drosselscheibe | Trottle washer | Restricteur |
| 11 | 1657 72 31 00 | | Adapt | Verbindungsstück | Union | Raccord |
| 12 | 1657 83 83 00 | | Handelskydd | Schutz | Guard | Protection |
| 13 | 1657 48 14 00 | | Handel | Schnellkupplung M | Quick coupling M | Raccord rapide M |
| 14 | 1659 29 64 50 | | Cylinderrör | Zylindermantel | Cylinder jacket | Corps de cylindre |
| 15 | 1659 36 06 91 | M6S 20x55 | Skruv | Schraube | Bolt | Vis |
| 16 | 1658 85 56 00 | | Kolv | Kolben | Piston | Piston |
| 17 | 1658 69 84 00 | | Packningssats | Packungsgarnitur | Set of seals | Jeu de joints |
| 18 | 1658 65 50 00 | | Låsring | Kopfring | Lock ring | Bague d'arrêt |
| 19 | 1658 65 49 00 | AV 68 | Spärring | Nutring | Circlip | Circlips |
| 20 | 1658 65 58 00 | | Styning | Führung | Guide | Guidage |
| 21 | 1659 29 66 50 | | Kolvstäng | Kolbenstange | Piston rod | Tige de piston |
| 73 | | CX | UTRÄTNINGSCYL | ZENTRIRUNGZYL. | ALIGNMENT | VÉRIN D'ALIGNEMENT |
| | 1659 45 04 50 | 340-390 a80 | Hydr cylinder kompl | Hydr.Zylinder kompl | Hydr.cylinder compl. | Vérin cpl |
| 5 | 1659 45 02 50 | | Cylinderrör | Zylindermantel | Cylinder jacket | Corps de vérin |
| 7 | 1659 36 06 91 | M6S 20x58 | Skruv | Schraube | Bolt | Vis |
| 8 | 1659 38 05 00 | | Kolv | Kolben | Piston | Piston |
| 9 | 1659 45 00 00 | | Kolvstäng | Kolbenstange | Piston rod | Tige de piston |
| 10 | 1658 62 06 00 | | Låsringshalvor | Sicherungsring | Lock ring | Bague d'arrêt |
| 11 | 1659 42 02 00 | | Styning | Führung | Guide | Guidage |
| 12 | 725 53 28 01 | MC6S 5x14 | Skruv | Schraube | Bolt | Vis |
| 13 | 1659 41 25 00 | | Låsbricka | Sicherungscheibe | Lock washer | Rondelle d'arrêt |
| 14 | 1659 45 03 50 | M56 | Ställhylsa | Einstellhülse | Adjustment sleeve | Manchon réglable |
| 15 | 1659 38 10 00 | | Packningssats | Packungsgarnitur | Set of seals | Jeu de joints |
| 17 | 1657 90 31 00 | | Adapt | Verbindungsstück | Union | Raccord |
| 18 | 1659 45 89 00 | | Friktionsstav | Reibungsstab | Friction pin | Goupille de friction |
| 19 | 1659 18 11 00 | | Strypbricka | Drosselscheibe | Trottle washer | Restricteur |
| 20 | 1658 64 05 02 | | Ledlager | Lager | Bearing | Palier |
| 21 | 735 31 40 11 | SgH 47 | Spärring | Sicherungsring | Circlip | Circlips |
| 22 | 728 84 43 01 | SK6S5 8x8 | Skruv | Schraube | Bolt | Vis |



| Pos nr Pos.Nr Ref.No Fig.N° | Detalj nr Best.Nr Part No Code N° | Benämning | Bezeichnung | Description | Description | |
|--------------------------------------|--------------------------------------------|-------------------------|------------------------------------------|-------------------------------------------------------------------------------|-----------------------------------------------------------------------|------------------------------------------------------------------------------|
| 190 | | CX, DX | HYDRAULISK SIDOREGLERING | HYDRAULISCHE SCHNITTBREITEN- VERSTELLUNG | HYDRAULIC FRONT-FURROW ADJUSTER | DEPORTATEURE HYDRAULIQUE |
| | 1659 63 66 50 | DX | Hydraulisk sidoreglering | Hydraulische Schnittbreiten- verstellung | Hydraulic Front-furrow Adjuster | Deportateure Hydraulique |
| | 1652 50 53 00 | CX | Hydraulisk sidoreglering | Hydraulische Schnittbreiten- verstellung | Hydraulic Front-furrow Adjuster | Deportateure Hydraulique |
| 1 | 721 43 50 01 | FRP6x55 | Rörpinne | Hohlstift | Tension pin | Goupille cannelée |
| 2 | 1658 54 69 00 | | Cyl bull | Zylinderbolzen | Pivot pin | Cheville |
| 3 | 1652 39 50 50 | DX | Hållare | Halteam | Bracket | Support fixation |
| | 1652 43 25 50 | CX | Hållare | Halteam | Bracket | Support fixation |
| 5 | 1658 50 06 50 | Picture 34 | Hydr cylinder | Hydr.Zylinder | Hydr.cylinder | Vérin cpl. |
| 6 | 1659 71 02 00 | | Tapp | Zylinderbolzen | Pivot pin | Axe |
| 7 | 734 12 04 01 | BRB 31x58 | Bricka | Scheibe | Washer | Rondelle |
| 8 | 721 43 56 10 | FRP 8x50 | Rörpinne | Hohlstift | Tension pin | Goupille cannelée |
| 10 | 1652 33 39 00 | 1/4 | Benjoskruv | Schwankschraube | Banjo bolt | Vis |
| 11 | 1652 33 40 00 | L=2250 1/4-1/4 Banjo | Slang | Schlauch | Hose | Tuyau flexible |
| 12 | 1657 72 31 00 | | Adapt | Verbindungsstück | Union | Raccord |
| 13 | 1657 46 14 00 | | Handel | Schnellkupplung M | Quick coupling M | Raccord rapide M |
| 14 | 1657 83 83 00 | | Handelskydd | Schutz | Guard | Protection |
| 17 | 1652 35 88 00 | | Buntband | Bundband | Self-locking ties | Collier de flexible |
| 20 | 1652 10 43 00 | | Skyddslang | Schlauch | Hose | Tuyau flexible |
| 23 | 1652 33 41 00 | L=2700 1/4-1/4 Banjo | Slang | Schlauch | Hose | Tuyau flexible |
| 26 | 1651 20 83 01 | | Tätningsskiva | Dichtungsscheibe | Sealing washer | Rondelle d'étanchéité |
| 30 | 734 11 76 01 | BRB 13x24 | Bricka | Bundband | Washer | Rondelle |
| 32 | 735 31 30 01 | SgA 30 | Spärring | Nutring | Circlip | Circlips |
| 34 | | CX, DX | HYDRAULISK JUSTERING AV 1:A TILTAN | HYDR. ZYLINDER FÜR EIN- STELLUNG DER FRONT- FURCHEN- BREITE | HYDR. CYLINDER FOR ADJUSTMENT OF FRONT FURROW WIDTH | VERIN HYDRAULIQUE POUR CONTROLE DE LARGEUR DE SILLON AVANT |
| 1 | 1658 50 00 50 | 495-705 ø63 | Hydr cylinder | Hydr.Zylinder | Hydr.cylinder | Vérin hydraulique |
| 2 | 1652 33 40 50 | | Cylinderör | Zylindermantel | Cylinder jacket | Corps de vérin |
| 3 | 1658 65 53 00 | | Kolvetång | Kolbenstange | Piston rod | Tige de piston |
| 4 | 1658 65 56 00 | | Kolv | Kolben | Piston | Piston |
| 5 | 1658 69 84 00 | | Packningssats | Packungsgarnitur | Set of seals | Jeu de joints |
| 6 | 1658 65 58 00 | | Styrning | Führung | Guide | Guidage |
| 6 | 1658 65 50 00 | | Låsring | Kopfling | Lock ring | Bague d'arrêt |
| 7 | 1658 85 40 00 | AV 58 | Låsring | Kopfling | Lock ring | Bague d'arrêt |
| 8 | 1658 64 05 02 | | Ledlager | Lager | Bearing | Palier |
| 9 | 735 31 40 11 | SgH 47 | Spärring | Sicherungsring | Circlip | Circlips |
| 10 | 725 26 74 51 | M6S 20x50 | Skruv | Schraube | Bolt | Vis |

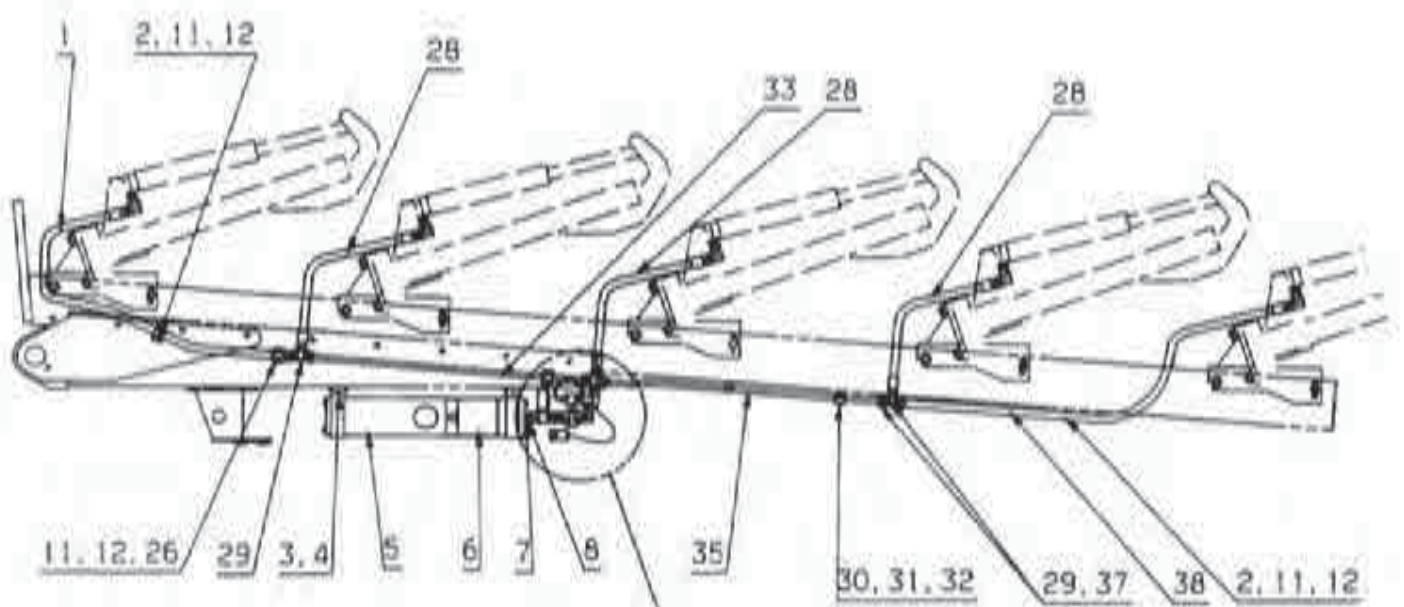


441

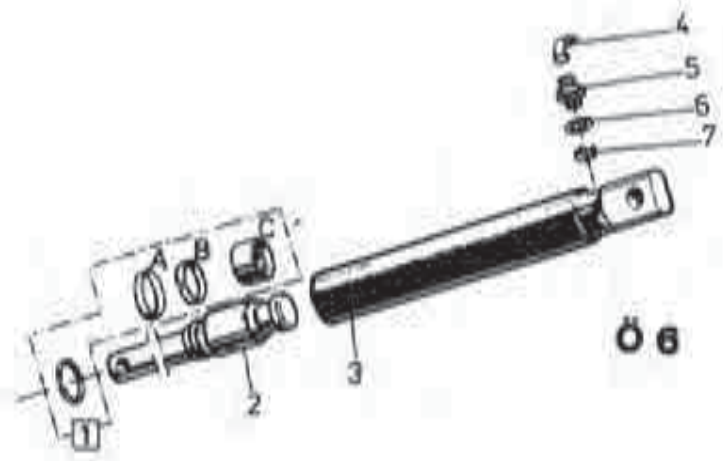
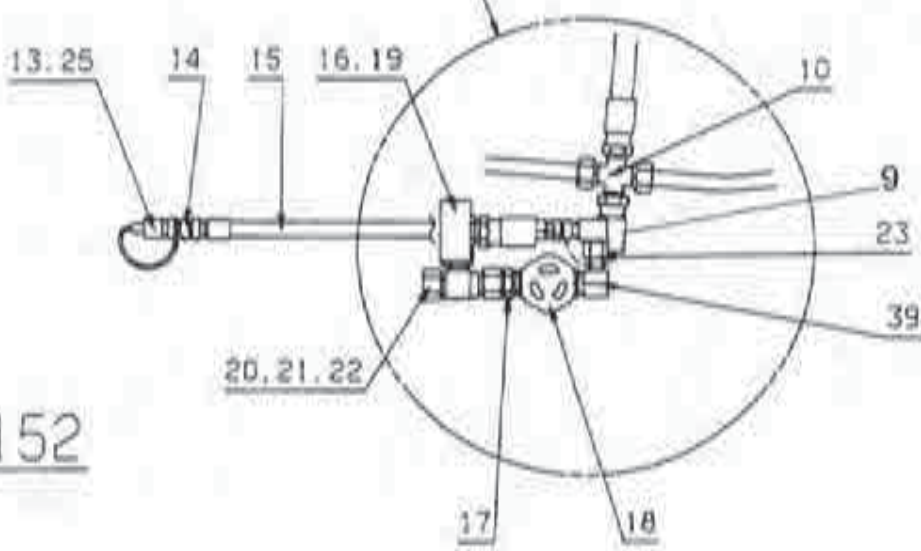


388

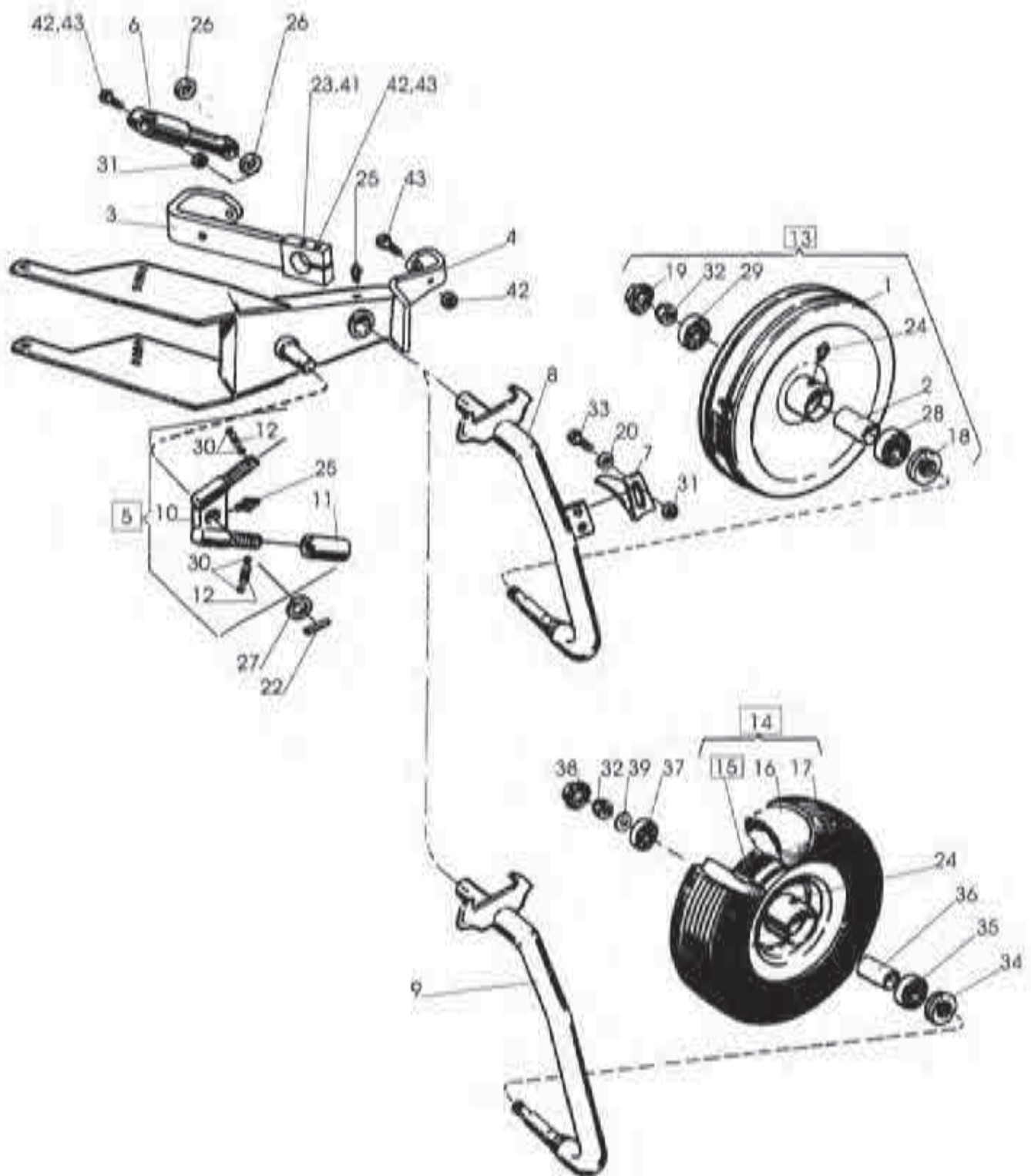
| Pos nr Pos.Nr Ref.No Fig.N° | Detail nr Best.Nr Part No Code N° | Benämning | Bezeichnung | Description | Description | |
|--------------------------------------|--------------------------------------------|----------------|------------------------------------|-----------------------------------------|---------------------------------|---------------------------------------------------|
| 441 | | BX | STENSÄKRINGS- HYDRAULIK | HYDRAULISCHER STEINSICHERUNG | HYDRAULIC STONE TRIP | DISPOSITIF DE SECURITE HYDRAULIQUE |
| 1 | 1057 53 83 00 | | Handelskydd | Schutz | Guard | Protection |
| 2 | 1057 48 14 00 | | Handel | Schnellkupplung M | Quick coupling M | Raccord rapide M |
| 3 | 1057 72 31 00 | | Adapt | Verbindungsstück | Union | Raccord |
| 4 | 1057 72 35 00 | L=2490 1/4-1/4 | Slang | Schlauch | Hose | Tuyau flexible |
| 5 | 725 26 50 51 | M6S 12x90 | Skruv | Schraube | Bolt | Vis |
| 6 | 734 11 78 01 | BRB 13x24 | Bricka | Scheibe | Washer | Rondelle |
| 7 | 731 23 22 01 | M6M 12 | Mutter | Mutter | Nut | Ecrou |
| 8 | 1057 58 23 50 | | Band | Halter | Cord | Support |
| 9 | 1058 15 60 50 | | Akkumulator | Akkumulator | Accumulator | Accumulateur |
| 10 | 1059 15 52 00 | | Klammerpar | Klammer | Clamps | Colliers |
| 11 | 1051 63 60 00 | L=1350 1/2-1/2 | Slang BX390 | Schlauch BX390 | Hose BX390 | Tuyau flexible BX390 |
| 12 | 1052 45 48 00 | L=690 1/2-1/2 | Slang | Schlauch | Hose | Tuyau flexible |
| 13 | 1059 81 09 00 | L=380 1/2-1/2 | Slang | Schlauch | Hose | Tuyau flexible |
| 14 | 1056 54 78 00 | | Adapt | Verbindungsstück | Union | Raccord |
| 15 | 1058 03 16 00 | | Tättningsbricka | Dichtungsscheibe | Sealing washer | Rondelle d'étanchéité |
| 16 | 1057 30 57 00 | | Ventil | Ventil | Valve | Soupape |
| 17 | 1059 21 38 00 | | Adapt | Verbindungsstück | Union | Raccord |
| 18 | 1059 30 68 00 | | T-adapt | T-Stück | T-union | Raccord en T |
| 19 | 1058 07 50 00 | | Manometer | Druckmesser | Pressure gauge | Manomètre |
| 20 | 725 23 79 51 | M6S 6x45 | Skruv | Schraube | Bolt | Vis |
| 21 | 1059 42 91 00 | | Klammerpar | Klammer | Clamps | Colliers |
| 22 | 1059 18 53 00 | | Täckplatta | Deckblech | Covering plate | Plaque de recouvrement |
| 23 | 725 23 76 51 | M6S 6x35 | Skruv | Schraube | Bolt | Vis |
| 24 | 1059 90 14 00 | L=1130 1/2-1/2 | Slang BX380 | Schlauch BX380 | Hose BX380 | Tuyau flexible BX380 |
| | 1051 63 60 00 | L=1350 1/2-1/2 | Slang BX390 | Schlauch BX390 | Hose BX390 | Tuyau flexible BX390 |
| 25 | 1058 94 28 00 | | L-adapt | Winkel-Stück | Elbow union | Raccord angle |
| | 1057 76 38 00 | | T-adapt | T-Stück | T-union | Raccord en T |
| 388 | | CX 200 | STENSÄKRINGS- HYDRAULIK | HYDRAULISCHER STEINSICHERUNG | HYDRAULIC STONE TRIP | DISPOSITIF DE SECURITE |
| 1 | 1059 88 52 00 | L=1240 1/2-M22 | Slang | Schlauch | Hose | Tuyau flexible |
| 2 | 1059 42 91 00 | | Klammerhalvor | Klammer | Clamps | Colliers |
| 3 | 1059 18 53 00 | | Täckplatta | Deckblech | Covering plate | Plaque de recouvrement |
| 4 | 725 23 76 51 | M6S 6x40 | Skruv | Schraube | Bolt | Vis |
| 5 | 1059 06 30 00 | | T-adapt | T-Stück | T-union | Raccord en T |
| 6 | 1059 88 51 00 | L=690 1/2-M22 | Slang | Schlauch | Hose | Tuyau flexible |
| 7 | 1052 31 25 00 | | Hällare | Haltearm | Bracket | Support fixation |
| 8 | 725 25 00 51 | M6S 10x45 | Skruv | Schraube | Bolt | Vis |
| 9 | 1058 03 17 00 | | Adapt | Verbindungsstück | Union | Raccord |
| 10 | 1058 03 16 00 | | Tättningsbricka | Dichtungsscheibe | Sealing washer | Rondelle d'étanchéité |
| 11 | 1059 19 38 50 | | Akkumulator | Akkumulator | Accumulator | Accumulateur |
| 12 | 731 23 20 01 | M6M 10 | Mutter | Mutter | Nut | Ecrou |
| 14 | 1057 30 57 00 | | Ventil | Ventil | Valve | Soupape |
| 15 | 1059 21 38 00 | | Adapt | Verbindungsstück | Union | Raccord |
| 16 | 1057 76 26 00 | | L-adapt | Winkel-Stück | Elbow union | Raccord angle |
| 17 | 1057 57 52 00 | | Adapt | Verbindungsstück | Union | Raccord |
| 18 | 1058 56 37 00 | | Kopplingsblock | Verbindungsblock | Union chest | Dispositif |
| 19 | 1058 07 50 00 | | Manometer | Druckmesser | Pressure gauge | Manomètre |
| 20 | 1056 54 78 00 | | Adapt | Verbindungsstück | Union | Raccord |
| 21 | 1057 72 31 00 | | Adapt | Verbindungsstück | Union | Raccord |
| 22 | 1057 84 74 00 | Or 10,3x3 | O-ring | O-ring | O-ring | Joint torique |
| 23 | 1051 42 91 00 | L=3100 1/4-1/4 | Slang | Schlauch | Hose | Tuyau flexible |
| 24 | 725 25 50 51 | M6S 12x90 | Skruv | Schraube | Bolt | Vis |
| 25 | 731 23 22 01 | M6M 12 | Mutter | Mutter | Nut | Ecrou |
| 26 | 1059 17 79 00 | | Band | Halter | Cord | Support |
| 27 | 1057 48 14 00 | | Handel | Schnellkupplung M | Quick coupling M | Raccord rapide M |
| 28 | 1057 72 31 00 | | Adapt | Verbindungsstück | Union | Raccord |



Ö152

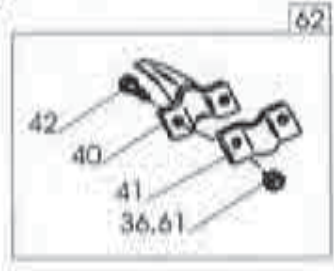
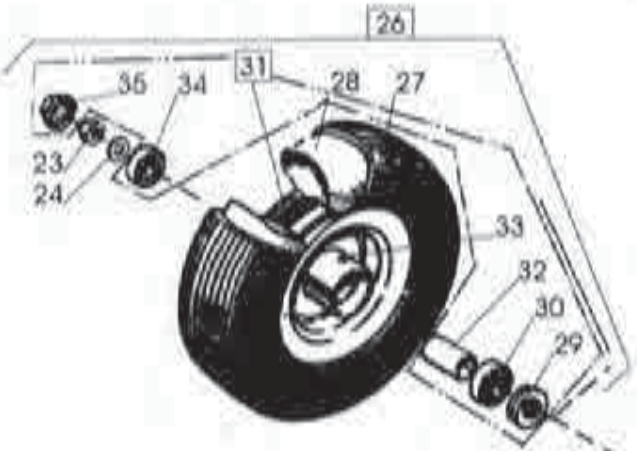
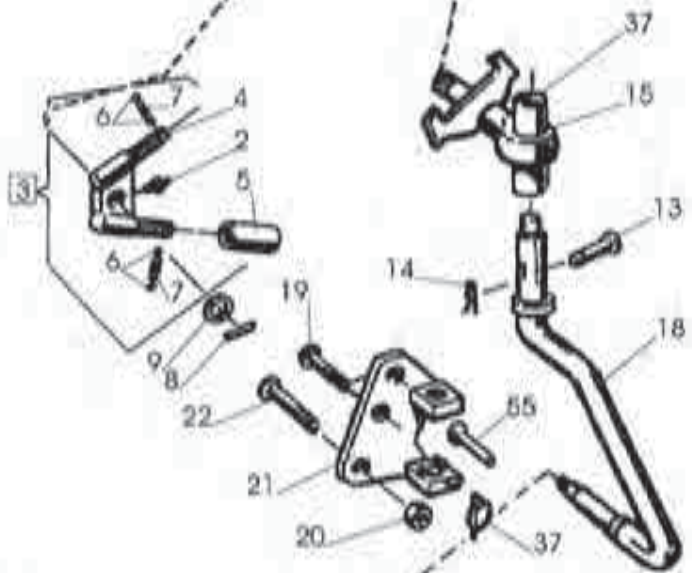
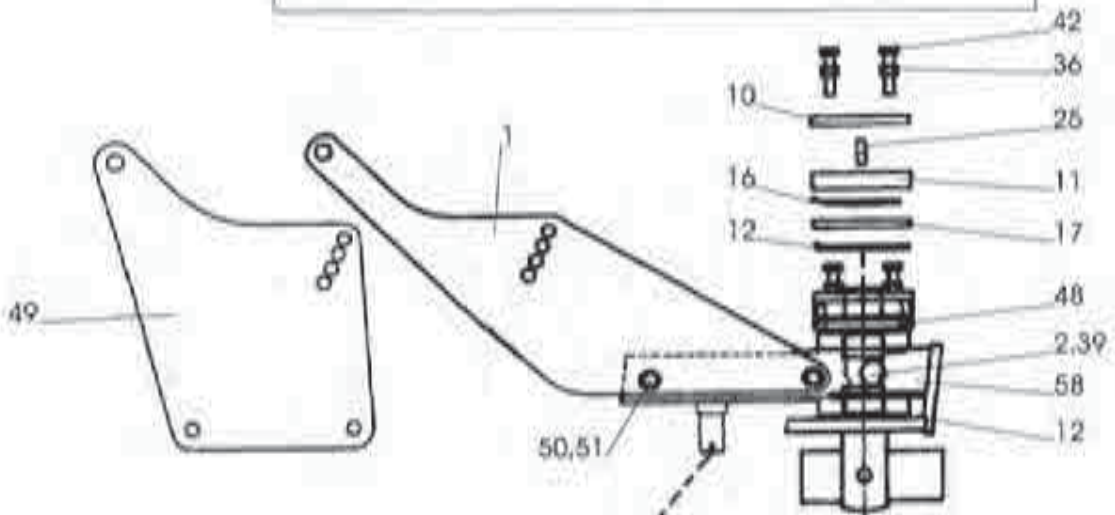
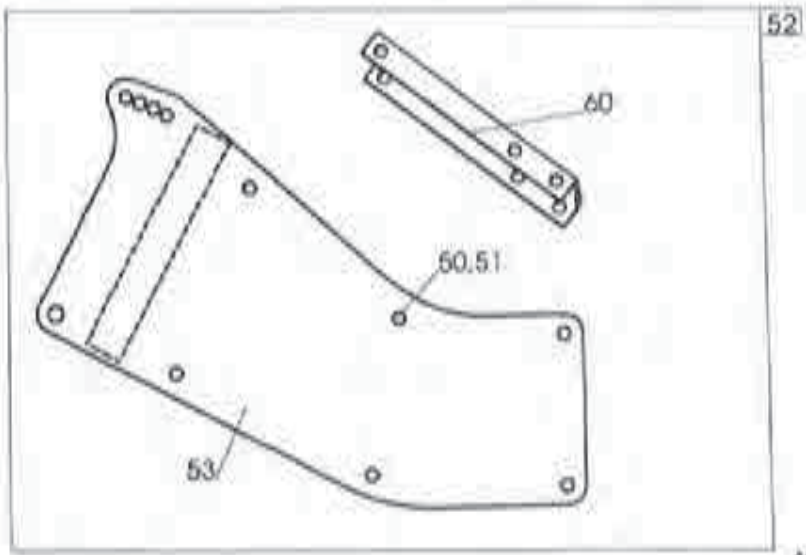
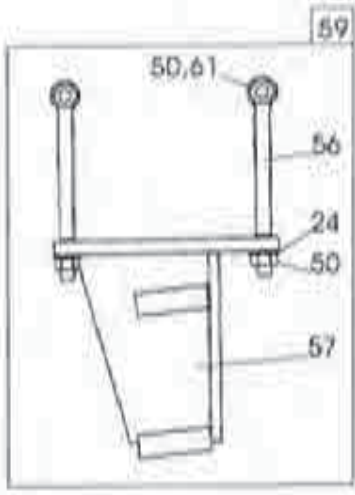


| Pos nr Pos.Nr Ref.No Fig.N° | Detalj nr Best.Nr Part No Code N° | Benämning | Bezeichnung | Description | Description | |
|--------------------------------------|--------------------------------------------|--------------------------------------------------|------------------------------------------------|------------------------------------------------------|----------------------------------------------|---------------------------------------------------|
| 152 | | CX,DX | STENSÄKRINGS- HYDRAULIK | HYDRAULISCHER STEINSICHERUNG | HYDRAULIC STONE TRIP | DISPOSITIF DE SECURITE HYDRAULIQUE |
| 1 | 1659 88 52 00 | L=1240 1/2-M22 | Slang | Schlauch | Hose | Tuyau flexible |
| 2 | 1659 42 91 00 | ø22 | Klammerhalvor | Klammer | Clamps | Colliers |
| 3 | 725 25 50 51 | M6S 12x90 | Skruv | Schraube | Bolt | Vis |
| 4 | 731 23 22 01 | M6M 12 | Mutter | Mutter | Nut | Écrou |
| 5 | 1659 19 38 50 | | Akkumulator | Akkumulator | Accumulator | Accumulateur |
| 6 | 1659 17 79 50 | | Akkumulatorfäste | Halter | Bracket | Support |
| 7 | 1658 03 16 00 | | Bricka | Scheibe | Washer | Rondelle |
| 8 | 1658 03 17 00 | | Adapt | Verbindungsstück | Union | Raccord |
| 9 | 1652 02 35 00 | L=360 1/2-M22 | Slang | Schlauch | Hose | Tuyau flexible |
| 10 | 1657 59 28 00 | | Kore-adapt | Kreuz-Stück | Four-way union | Raccord en croix |
| 11 | 1659 15 53 00 | | Täckplatta | Deckblech | Covering plate | Plaque de recouvrement |
| 12 | 725 23 78 51 | M6S 8x40 | Skruv | Schraube | Bolt | Vis |
| 13 | 1657 48 14 00 | | Handel | Schnellkupplung M | Quick coupling M | Raccord rapide M |
| 14 | 1657 72 31 00 | | Adapt | Verbindungsstück | Union | Raccord |
| 15 | 1651 42 91 00 | L=3100 1/4-1/4 | Slang | Schlauch | Hose | Tuyau flexible |
| 16 | 1658 07 50 00 | | Manometer | Druckmesser | Pressure gauge | Manomètre |
| 17 | 1659 21 38 00 | | Adapt | Verbindungsstück | Union | Raccord |
| 18 | 1657 30 57 00 | | Ventil | Ventil | Valve | Soupape |
| 19 | 734 11 78 01 | BRB 13x24 | Bricka | Scheibe | Washer | Rondelle |
| 20 | 1658 04 28 00 | | L-adapt | Winkel-Stück | Elbow union | Raccord angle |
| 21 | 1657 78 26 00 | | L-adapt | Winkel-Stück | Elbow union | Raccord angle |
| 22 | 1659 30 68 00 | | T-adapt | T-Stück | T-union | Raccord en T |
| 23 | 1658 58 38 00 | | L-adapt | Winkel-Stück | Elbow union | Raccord angle |
| 25 | 1657 83 83 00 | | Handelskydd | Schutz | Guard | Protection |
| 26 | 1659 18 52 00 | ø25 | Klammerhalvor | Klammer | Clamps | Colliers |
| 27 | 1657 48 15 00 | | Handel | Schnellkupplung F | Quick coupling F | Raccord rapide F |
| 28 | 1659 88 51 00 | L=690 1/2-M22 | Slang | Schlauch | Hose | Tuyau flexible |
| 29 | 1657 57 46 00 | | T-adapt | T-Stück | T-union | Raccord en T |
| 30 | 1659 12 04 00 | ø15 | Klammerhalvor | Klammer | Clamps | Colliers |
| 31 | 725 23 76 51 | M6S 6x36 | Skruv | Schraube | Bolt | Vis |
| 32 | 1659 12 05 00 | | Täckplatta | Deckblech | Covering plate | Plaque de recouvrement |
| 33 | 1659 19 38 00 | L=880 | Rör | Rohr | Tube | Tuyau |
| | 1652 30 48 00 | L=970 | Rör | Rohr | Tube | Tuyau |
| 35 | 1659 61 38 00 | L=875 | Rör | Rohr | Tube | Tuyau |
| | 1658 62 76 00 | L=960 | Rör | Rohr | Tube | Tuyau |
| 37 | 1658 30 50 00 | | L-adapt | Winkel-Stück | Elbow union | Raccord angle |
| 38 | 1659 64 07 00 | DX 490,590 | Slang | Schlauch | Hose | Tuyau flexible |
| | 1659 86 44 00 | L=1500 1/2-M22 DX 4100,5100 L=1800 1/2-M22 | Slang | Schlauch | Hose | Tuyau flexible |
| 39 | 1657 72 21 00 | | L-adapt | Winkel-Stück | Elbow union | Raccord angle |
| 8 | | | HYDRAULISK UTLÖSNINGS- CYLINDER | HYDRAULISCHER STEINSICHERUNG ZYLINDER | HYDRAULIC STONE TRIP CYLINDER | DISPOSITIF DE SECURITE HYDRAULIQUE |
| | 1652 15 50 50 | ø50 | Hydr cylinder kompl utan Pos. nr 4 | Hydr.Zylinder kompl.ohne Pos.Nr 4 | Hydr.cylinder compl.without Ref.No. | Vérin compl. sans Fig.No. 4 |
| 1 | 1658 62 58 00 | | Packningssets | Paokungsgarnitur | Set of seals | Jeu de joints |
| 2 | 1652 38 02 50 | inkl A,B,C | Kolvstäng | Kolbenstange | Piston rod | Tige de piston |
| 3 | 1652 15 51 80 | | Cylinderör | Zylindermantel | Cylinder jacket | Corps de cylindre |
| 4 | 1657 78 26 00 | | L-adapt | Winkel-Stück | Elbow union | Raccord angle |
| 5 | 1658 03 17 00 | | Adapt | Verbindungsstück | Union | Raccord |
| 6 | 1658 03 16 00 | | Tätningbricka | Dichtungscheibe | Sealing washer | Rondelle d'étanchéité |
| 7 | 1657 78 52 00 | | Ventilkägla | Ventilkegel | Valve conical | Soupape à cone |



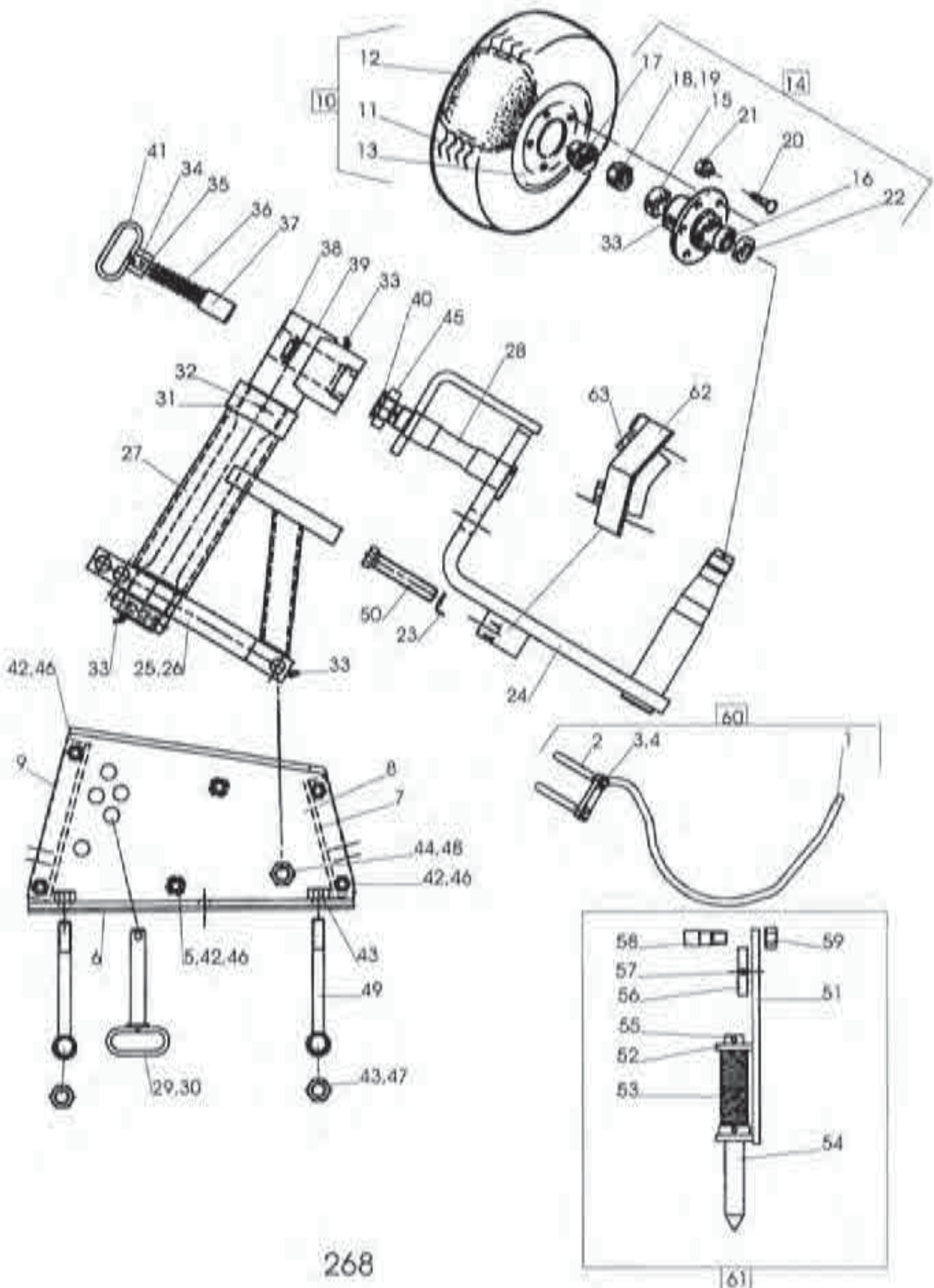
65

| Pos nr Pos.Nr Ref.No Fig.N°. | Detalj nr Best.Nr Part No Code N°. | Benämning | Bezeichnung | Description | Description | |
|---------------------------------------|---------------------------------------------|---------------------------------------|---------------------------|---------------------|------------------------|---------------------------------|
| 65 | | BX,CX | PENDELHJUL | PENDELRAD | PENDULUM WHELL | ROUE PENDULAIRE |
| | 1659 11 20 01 | e600 | Pendelhjul plåt kompl | Rad Stahl kompl | Wheel steel compl. | Roue metallique cpl. |
| | 1659 11 20 02 | 7,00-12 | Pendelhjul gummi kompl | Rad Gummi kompl. | Wheel rubber compl. | Roue matique cpl. |
| 1 | 1658 52 43 60 | | Plåthjul | Rad Stahl | Wheel steel | Roue metallique |
| 2 | 1658 52 46 00 | | Distanshylsa | Distanzhülse | Spacing sleeve | Bague d'entretroisement |
| 3 | 1659 72 70 90 | | Arm | Arm | Arm | Bras |
| 4 | 1659 01 75 90 | | Konsol | Halterung | Bracket | Support |
| 5 | 1659 48 46 00 | | Spärräpp kompl | Klinke kompl. | Catch compl. | Loquet cpl. |
| 6 | 1658 63 36 60 | | Stötdämpare | Stoßdämpfer | Shock absorber | Amortisseur |
| 7 | 1658 53 95 90 | | Skrapa | Abstreifer | Scraper | Dérottoir |
| 8 | 1658 61 00 90 | | Hjularm (plåthjul) | Radachse (Stahl) | Wheel axle (steel) | Essieu de roue (metallique) |
| 9 | 1659 38 64 90 | | Hjularm (gummi) | Radachse (Gummi) | Wheel axle (rubber) | Essieu de roue (pneumatique) |
| 10 | 1659 49 47 00 | M42x2 | Kläpp | Falle | Catch | Loquet |
| 11 | 1659 49 49 00 | M42x2 | Justerhylsa | Steilhülse | Adjusting sleeve | Manchon de réglage |
| 12 | 1658 30 46 00 | | Fjäder | Feder | Spring | Ressort |
| 13 | 1658 46 36 60 | e600 | Plåthjul kompl | Rad Stahl kompl. | Wheel steel compl. | Roue metallique cpl. |
| 14 | 1659 33 18 60 | 7,00-12 | Gummihjul kompl | Rad Gummi kompl. | Wheel rubber compl. | Roue pneumatique cpl. |
| 15 | 1659 33 21 60 | incl.pos 24, 32,34,35,36, 37,38 | Fälg och nav | Felge und Nabe | Rim and nut | Jante et moyeu |
| 16 | 1659 33 20 00 | | Slang | Schiauch | Hose | Tuyau flexible |
| 17 | 1659 33 19 00 | | Däck | Reifen | Tyre | Pneu |
| 18 | 1658 52 44 00 | | Tätning | Dichtung | Sealing ring | Joint d'étanchéité |
| 19 | 1658 52 47 00 | | Navmutter | Nabenmutter | Hub nut | Ecrou de moyeu |
| 20 | 1658 07 35 00 | | Bricka | Scheibe | Washer | Rondelle |
| 22 | 721 43 47 01 | FRP 6x40 | Rörpinne | Hohlstift | Tension pin | Goupille cannelée |
| 23 | 726 25 07 91 | M6S 10x80 | Skruv | Schraube | Bolt | Vis |
| 24 | 738 88 10 01 | AHM8 | Smörjnippel | Schmiernippel | Grease nipple | Graisseur |
| 25 | 738 88 20 03 | AM 8x1,25 | Smörjnippel | Schmiernippel | Grease nipple | Graisseur |
| 26 | 734 11 82 01 | BRB 15x28 | Bricka | Scheibe | Washer | Rondelle |
| 27 | 734 12 04 01 | BRB 31x58 | Bricka | Scheibe | Washer | Rondelle |
| 28 | 738 22 05 15 | | Kullager | Kugellager | Ball bearing | Palier a billes |
| 29 | 738 23 04 30 | | Kullager | Kugellager | Ball bearing | Palier a billes |
| 30 | 738 61 32 02 | a10 | Kula | Kugel | Ball | Bille |
| 31 | 731 23 22 01 | M6M 12 | Mutter | Mutter | Nut | Ecrou |
| 32 | 732 21 24 51 | M6M 16 | Mutter | Mutter | Nut | Ecrou |
| 33 | 726 25 40 51 | M6S 12x40 | Skruv | Schraube | Bolt | Vis |
| 34 | 1659 34 73 00 | | Tätning | Dichtung | Sealing ring | Joint d'étanchéité |
| 35 | 738 22 06 15 | | Kullager | Kugellager | Ball bearing | Palier a billes |
| 36 | 1659 34 70 00 | | Distanshylsa | Distanzhülse | Spacing sleeve | Bague d'entretroisement |
| 37 | 738 23 05 30 | | Kullager | Kugellager | Ball bearing | Palier a billes |
| 38 | 1659 34 69 00 | | Navmutter | Nabenmutter | Hub nut | Ecrou de moyeu |
| 39 | 734 11 86 01 | BRB 17x30 | Bricka | Scheibe | Washer | Rondelle |
| 41 | 732 21 20 51 | M6M 10 Loc | Mutter | Mutter | Nut | Ecrou |
| 42 | 1659 36 04 03 | M6M 12 | Mutter | Mutter | Nut | Ecrou |
| 43 | 726 25 48 61 | M6S 12x80 | Skruv | Schraube | Bolt | Vis |



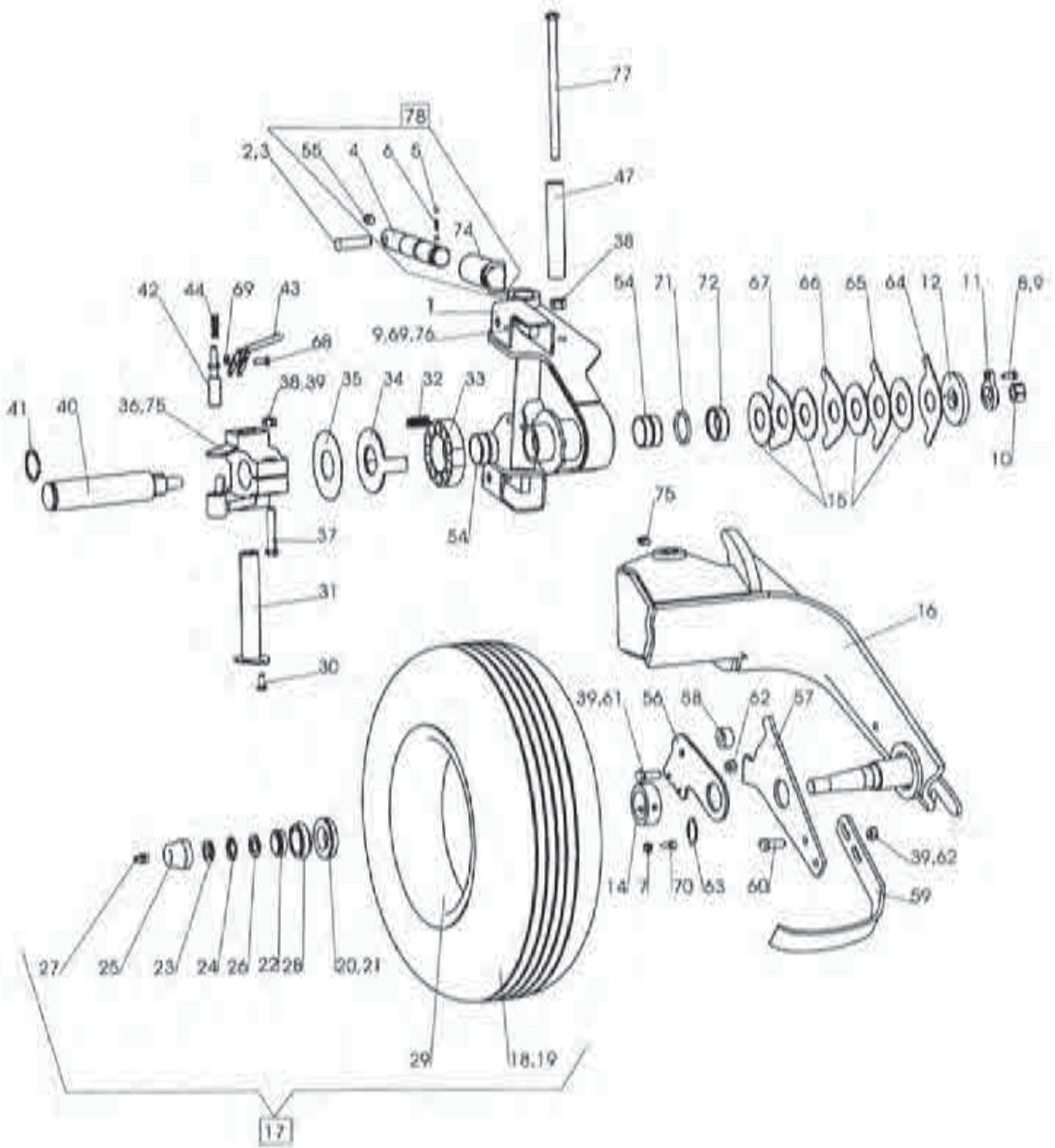
187 a

| Pos nr Pos.Nr Ref.No Fig.N°. | Detalj nr Best.Nr Part No Code N°. | Benämning | Bezeichnung | Description | Description | |
|---------------------------------------|---------------------------------------------|------------|------------------------------|-------------------|-------------------|-----------------------|
| 187a | | CX,DX | KOMBIHJUL FRIKTIONSDÄMPAT | KOMBIRAD | COMBINDE WHEEL | ROUE COMBINATION |
| | 1059 05 00 91 | | Kombihjul | Kombirad | Combinde wheel | Roue combination |
| 1 | 1659 73 33 90 | | Konsole | Halterung | Bracket | Support |
| 2 | 738 88 20 03 | AM 8x1,25 | Smörjnippel | Schmiernippel | Grease nipple | Graisseur |
| 3 | 1059 49 48 00 | M42x3 | Spärklapp | Klinke | Catch | Loquet |
| 4 | 1059 49 47 00 | M42x3 | Klapp | Falls | Catch | Loquet |
| 5 | 1059 49 49 00 | M42x3 | Justerhylsa | Stellhülse | Adjusting sleeve | Manchon de réglage |
| 6 | 738 81 32 02 | e10 | Kula | Kugel | Ball | Bille |
| 7 | 1058 30 46 00 | | Fjäder | Feder | Spring | Ressort |
| 8 | 721 43 47 01 | FRP 6x40 | Rörpinne | Hohlstift | Tension pin | Goupille cannelée |
| 9 | 734 12 04 01 | BRB 31x58 | Bricka | Scheibe | Washer | Rondelle |
| 10 | 1059 05 01 00 | | Låsbricka | Sicherungsscheibe | Lock washer | Rondelle d'arrêt |
| 11 | 1059 64 99 00 | | Ledaxellås | Sicherungsplatte | Lock plate | Plaque d'arrêt |
| 12 | 1059 84 88 00 | e110/40 | Bromslager | Lager | Bearing | Palier |
| 13 | 1059 83 19 00 | e10 | Cylindrisk bukt | Botzen | Pivot pin | Cheville |
| 14 | 1058 67 63 00 | | Låstfjäder | Klemmfeder | Locking spring | Goupille cavalier |
| 15 | 1059 70 12 90 | | Axelinfästning | Achsbefestigung | Axle bracket | Support d'essieu |
| 16 | 1059 72 75 00 | | Talfrikafjäder | Feder | Spring | Ressort |
| 17 | 1059 72 73 00 | | Talfrikshållare | Haltearm | Bracket | Support fixation |
| 18 | 1052 40 67 90 | | Hjulaxel | Radachse | Wheel axle | Essieu de roue |
| 19 | 1050 36 02 58 | MFSK 20x75 | Skruv | Schraube | Bolt | Vis |
| 20 | 1050 36 04 07 | M6M 20 | Mutter | Mutter | Nut | Ecrou |
| 21 | 1059 44 89 90 | | Fäste | Halter | Bracket | Support |
| 22 | 1050 36 02 60 | MFSK 20x85 | Skruv | Schraube | Bolt | Vis |
| 23 | 732 21 24 51 | M6M 16 | Låsmutter | Nylock-Mutter | Lock nut | Ecrou freiné |
| 24 | 734 11 86 01 | BRB 17x30 | Bricka | Scheibe | Washer | Rondelle |
| 25 | 1059 72 74 00 | | Styrtapp | Führungszapfen | Guide pin | Axe de guidage |
| 26 | 1059 73 36 60 | 10,0/8-12 | Hjul kompl. | Rad kompl. | Wheel compl. | Roue cpl. |
| 27 | 1059 73 38 00 | 10,0/8-12 | Däck | Reifen | Tyre | Pneu |
| 28 | 1059 73 37 00 | 8,50-12/10 | Slang | Schlauch | Hose | Tuyau flexible |
| 29 | 1059 34 73 00 | | Tätning | Dichtung | Seal | Garniture |
| 30 | 738 22 06 15 | | Kullager | Kugellager | Ball bearing | Palier a billes |
| 31 | 1059 73 39 60 | | Fälg med nav | Felge mit nabe | Rim with hub | Jante avec moyeu |
| 32 | 1059 34 70 00 | | Distans | Distance | Spacing | Distance |
| 33 | 738 88 10 01 | AHM 8 | Smörjnippel | Schmiernippel | Grease nipple | Graisseur |
| 34 | 738 23 05 30 | | Kullager | Kugellager | Ball bearing | Palier a billes |
| 35 | 1059 34 69 00 | | Navmutter | Nabenmutter | Hub nut | Ecrou de moyeu |
| 36 | 731 23 22 01 | M6M 12 | Mutter | Mutter | Nut | Ecrou |
| 37 | 1058 50 05 00 | | Låsting | Kopfring | Lock ring | Bague d'arrêt |
| 39 | 1059 47 11 00 | | Skydd | Schutz | Guard | Protecteur |
| 40 | 1059 74 35 90 | | Avskrapare | Abstreifer | Scraper | Décrotoir |
| 41 | 1059 45 38 90 | | Fäste | Halter | Bracket | Support |
| 42 | 725 25 42 51 | M6S 12x50 | Skruv | Schraube | Bolt | Vis |
| 48 | 1059 45 35 00 | | Lager | Lager | Bearing | Palier |
| 49 | 1059 82 72 90 | CXF,DXF | Sida | Seite | Page | Page |
| 50 | 1050 36 07 05 | M6M 16 | Mutter | Mutter | Nut | Ecrou |
| 51 | 1059 08 86 00 | M6S 16x205 | Skruv | Schraube | Bolt | Vis |
| 52 | 1059 83 20 90 | | Moore's wheel | Moore's wheel | Moore's wheel | Moore's wheel |
| 53 | 1059 83 71 91 | | Plåt undre | Platte untere | Lower plate | Base |
| | 1059 83 71 92 | | Plåt övre | Platte Obere | Upper plate | Haute |
| 55 | 1059 30 05 00 | | Tapp | Zylinderbolzen | Pivot pin | Axe |
| 56 | 1059 13 49 00 | | Klamma | Klemme | Clamp | Bride |
| 57 | 1059 64 29 90 | | Fäste | Halter | Bracket | Support |
| 58 | 1059 83 21 90 | | Konsole | Haltearm | Bracket | Support |
| 59 | 1059 64 31 00 | | Fäste | Halter | Bracket | Support |
| 60 | 1052 03 21 90 | | U-profil | Profil | U-section | Profil |
| 61 | 734 11 78 01 | BRB 13x24 | Bricka | Scheibe | Washer | Rondelle |
| 62 | 1059 74 37 90 | | Skrapa | Abstreifer | Scraper | Décrotoir |

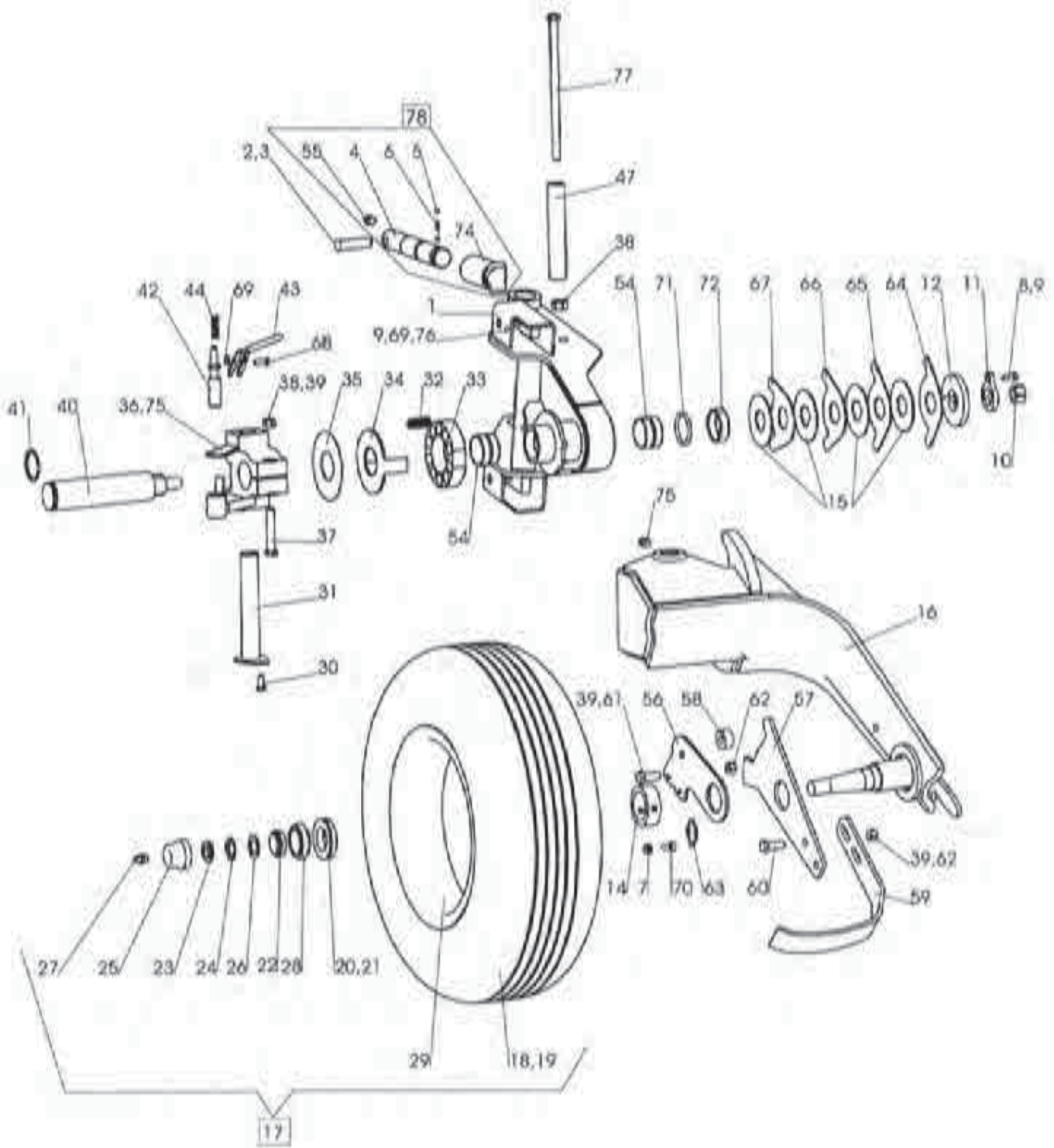


268

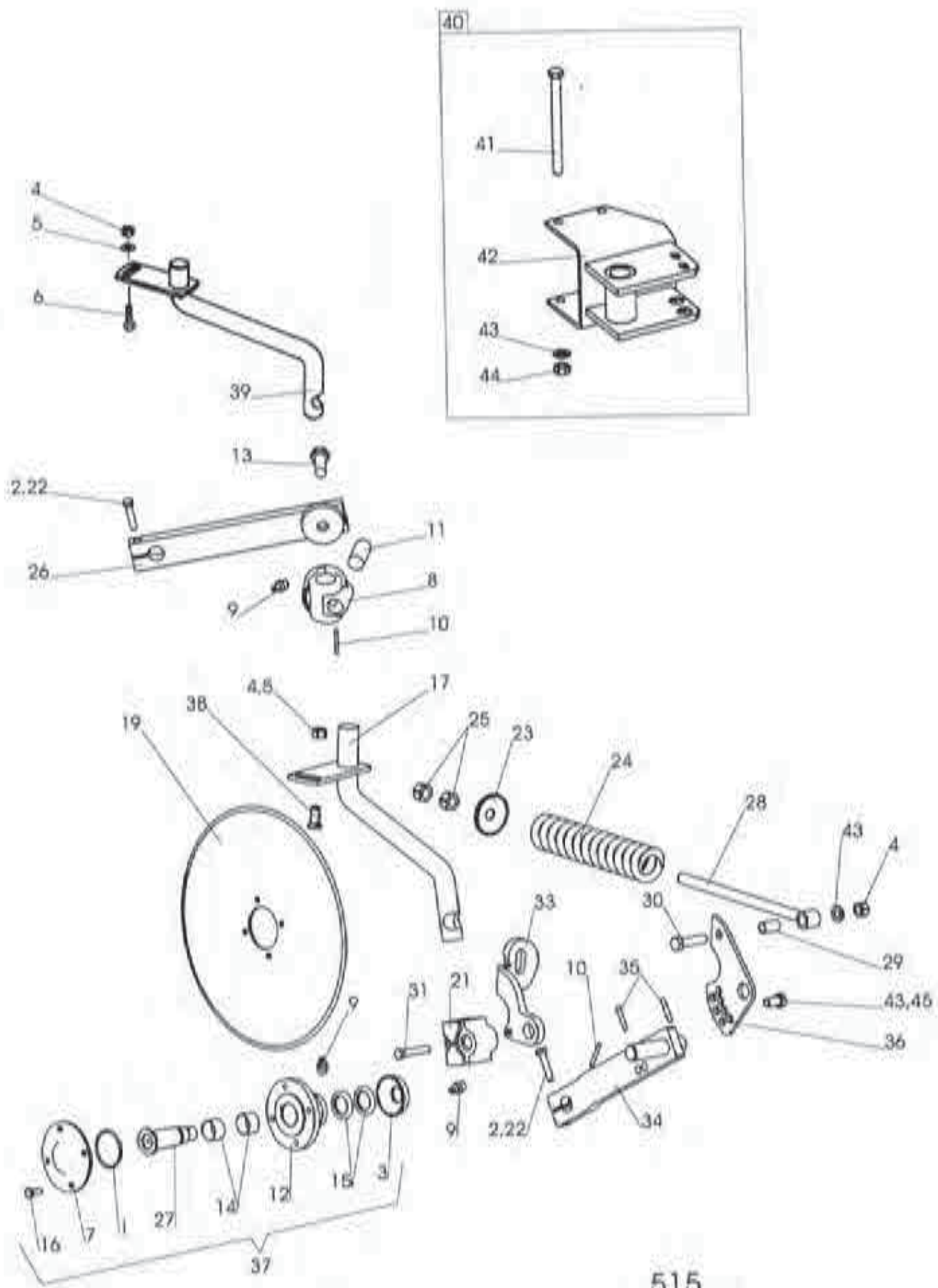
| Pos nr Pos.Nr Ref.No Fig.N° | Detail nr Best.Nr Part No Code N° | | Benämning | Bezeichnung | Description | Description |
|--------------------------------------|--------------------------------------------|------------|---------------------|---------------------|----------------------|--------------------------------|
| 268 | | DX 5-6 | KOMBIHJUL | KOMBIRAD | COMBINDE WHEEL | ROUE COMBINATION |
| | 1652 00 10 90 | | Kombihjul | Kombirad | Combinde wheel | Roue combination |
| 1 | 1652 05 62 90 | | Skrapa | Abstreifer | Scraper | Décrottoir |
| 2 | 1652 05 58 00 | | Klamma | Klemme | Clamp | Bride |
| 3 | 731 23 22 01 | M12 | Mutter | Mutter | Nut | Ecrou |
| 4 | 734 11 78 01 | BRB 13x24 | Bricka | Scheibe | Washer | Rondelle |
| 5 | 1652 00 34 90 | | Hylsa | Hülse | Sleeve | Manchon |
| 6 | 1652 00 28 90 | | Platta | Platte | Plate | Plaque |
| 7 | 1652 00 26 90 | | Distansbricka kort | Distanzscheibe kurz | Spacing washer short | Rondelle d'écartement court |
| 8 | 1652 00 25 90 | | Plåt undre | Platte untere | Lower plate | Base |
| | 1652 00 24 90 | | Plåt övre | Platte Obere | Upper plate | Haute |
| 9 | 1652 00 27 90 | | Distansbricka lång | Distanzscheibe lang | Spacing washer long | Rondelle d'écartement |
| 10 | 1657 88 73 60 | | Hjul kompl | Rad kompl | Wheel compl | Roue cpl |
| 11 | 1657 70 28 00 | | Däck | Reifen | Tyre | Pneu |
| 12 | 1657 70 27 00 | | Slang | Schlauch | Hose | Tuyau flexible |
| 13 | 1657 88 72 60 | | Fälg | Felge | Rim | Jante |
| 14 | 1652 37 00 90 | | Nav kompl | Nabe kompl | Hub compl | Moyeu cpl |
| 15 | 1659 84 67 00 | | Rullager | Rollenlager | Roller bearing | Roulement à roue |
| 16 | 1651 93 24 30 | | Rullager | Rollenlager | Roller bearing | Roulement à roue |
| 17 | 1652 36 98 00 | | Navkapsel | Nabenkappe | Hub cap | Chapeau de moyeu |
| 18 | 1652 36 97 00 | | Kronmutter | Kronemutter | Castellated nut | Ecrou crénelé |
| 19 | 721 62 33 01 | SP 6,3x50 | Saxpinne | Splint | Splint pin | Goupille fendue |
| 20 | 1659 67 44 00 | | Skruv | Schraube | Bolt | Vis |
| 21 | 1659 14 17 00 | | Mutter | Mutter | Nut | Ecrou |
| 22 | 1652 36 93 00 | | Bricka | Scheibe | Washer | Rondelle |
| 23 | 1658 67 79 00 | | Lås fjäder | Klemmfeder | Locking spring | Goupille cavalier |
| 24 | 1652 00 13 90 | | Hjulaxel | Radachse | Wheel axle | Essieu de roue |
| 25 | 1652 00 42 00 | | Låsring | Kopfring | Lock ring | Bague d'arrêt |
| 26 | 721 44 65 01 | FRP 12x90 | Rörpinne | Hohlstift | Tension pin | Goupille cannelée |
| 27 | 1652 00 40 90 | | Hållare | Haltearm | Bracket | Support fixation |
| 28 | 1659 99 80 00 | | Axeltapp | Welle | Axle | Axe |
| 29 | 1652 00 48 00 | | Tapp | Zylinderbolzen | Pivot pin | Axe |
| 30 | 1658 60 05 00 | | Snabbåls | Klappspint | Linch pin | Goupille |
| 31 | 1652 05 66 00 | | Bromslager | Lager | Bearing | Palier |
| 32 | 738 88 20 03 | AM 6x1,25 | Smörjnippel | Schmiemippel | Grease nipple | Graisseur |
| 33 | 738 88 50 03 | BM 6x1,25 | Smörjnippel | Schmiemippel | Grease nipple | Graisseur |
| 34 | 721 43 82 01 | FRP 8x36 | Rörpinne | Hohlstift | Tension pin | Goupille cannelée |
| 35 | 1651 60 10 00 | | Hårmålsspint | Haltefeder | Lock spring | Goupille beta |
| 36 | 1659 18 12 50 | | Tryck fjäder | Drückfeder | Compression spring | Ressort de linquet |
| 37 | 1652 00 44 00 | | Tapp | Zylinderbolzen | Pivot pin | Axe |
| 38 | 1659 45 35 00 | | Lager | Lager | Bearing | Palier |
| 39 | 1652 00 08 90 | | Ledaxel | Gelenkarm | Link arm | Bras d'articul |
| 40 | 721 43 49 01 | FRP 6x60 | Rörpinne | Hohlstift | Tension pin | Goupille cannelée |
| 41 | 1652 00 45 90 | | Handtag | Handgriff | Handle | Poignée |
| 42 | 731 23 24 01 | M6M 16 | Mutter | Mutter | Nut | Ecrou |
| 43 | 1650 36 07 07 | M6M 20 | Mutter | Mutter | Nut | Ecrou |
| 44 | 732 21 28 51 | M6M 24 | Låsmutter | Nyloc-Mutter | Lock nut | Ecrou freiné |
| 45 | 1659 89 08 00 | M6M 30x1,5 | Kronmutter | Kronemutter | Castellated nut | Ecrou crénelé |
| 46 | 725 26 47 51 | M6S 16x140 | Skruv | Schraube | Bolt | Vis |
| 47 | 1659 05 31 00 | M6S 20x215 | Skruv | Schraube | Bolt | Vis |
| 48 | 725 27 36 51 | M6S 24x150 | Skruv | Schraube | Bolt | Vis |
| 49 | 1652 01 82 00 | M6S L=230 | Ögleskruv | Osenachraube | Eye bolt | Piton |
| 50 | 1659 71 56 00 | M6S 24x120 | Skruv | Schraube | Bolt | Vis |
| 51 | 1652 05 77 50 | | Sida | Seite | Page | Page |
| 52 | 1652 05 76 50 | | Hylsa | Hülse | Sleeve | Manchon |
| 53 | 1658 58 82 90 | | Tryck fjäder | Drückfeder | Compression spring | Ressort de linquet |
| 54 | 1652 05 74 50 | | Spett | Sporn | Spur | Roue de bequille |
| 55 | 721 43 85 01 | FRP 6x60 | Rörpinne | Hohlstift | Tension pin | Goupille cannelée |
| 56 | 1652 05 81 50 | | Låsring | Kopfring | Lock ring | Bague d'arrêt |
| 57 | 721 44 27 01 | FRP 10x60 | Rörpinne | Hohlstift | Tension pin | Goupille cannelée |
| 58 | 1652 05 73 00 | | Tapp | Zylinderbolzen | Pivot pin | Axe |
| 59 | 731 23 26 01 | M6M 20 | Mutter | Mutter | Nut | Ecrou |
| 60 | 1652 05 60 90 | | Skrapa | Abstreifer | Scraper | Décrottoir |
| 61 | 1652 05 75 50 | | Spett | Sporn | Spur | Roue de bequille |
| 62 | 1652 12 92 50 | | Djupjusteringskloss | Adjustierung | Adjustment | Ajustage |
| 63 | 1658 56 93 00 | | Skruv | Schraube | Bolt | Vis |



| Pos nr Pos.Nr Ref.No Fig.N° | Detail nr BesLNr Part No Code N° | Benämning | Bezeichnung | Description | Description | |
|--------------------------------------|-------------------------------------------|-------------|----------------|---------------------|--------------------|----------------------|
| 448 | | OX | KOMBINJUL | KOMBIRAD | COMBINDE WHEEL | ROUE COMBINASION |
| | 1652 26 17 03 | | Kombihjul | Kombrad | Combinde wheel | Roue combination |
| 1 | 1652 36 15 90 | | Konsol | Halterung | Bracket | Support |
| 2 | 1657 32 24 01 | | Cyl bult | Zylinderbolzen | Pivot pin | Cheville |
| 3 | 721 42 62 01 | FRP 4x32 | Rörpinne | Hohlstift | Tension pin | Goupille cannelée |
| 4 | 1652 37 67 00 | | Klapp | Falle | Catch | Loquet |
| 5 | 738 61 32 02 | | Kula | Kugel | Ball | Bille |
| 6 | 1658 30 48 00 | | Fjäder | Feder | Spring | Ressort |
| 7 | 731 23 22 01 | M6M 12 | Mutter | Mutter | Nut | Ecrou |
| 8 | 725 24 93 51 | M6S 10x25 | Skruv | Schraube | Bolt | Vis |
| 9 | 734 11 73 01 | BRB 10,5x25 | Bricka | Scheibe | Washer | Rondelle |
| 10 | 731 23 28 51 | M6M 24 | Mutter | Mutter | Nut | Ecrou |
| 11 | 1652 26 37 00 | | Låsbricka | Sicherungsscheibe | Lock washer | Rondelle d'arrêt |
| 12 | 1652 26 38 00 | | Platta | Platte | Plate | Plaque |
| 14 | 1652 31 21 00 | | Skräplås | Hölse | Sleeve | Manchon |
| 15 | 1652 06 20 00 | | Bromsaktiva | Bremsring | Brake disc | Disque de frein |
| 16 | 1652 26 41 90 | | Hjularm | Radachse | Wheel axle | Essieu de roue |
| 17 | 1652 06 65 60 | 10,5" - 10" | Hjul kompl | Rad kompl | Wheel compl. | Roue cpl. |
| 18 | 1657 70 26 00 | | Däck | Reifen | Tyre | Pneu |
| 19 | 1657 70 27 00 | | Slang | Schlauch | Hose | Tuyau flexible |
| 20 | 1652 23 69 00 | | Yterring | Ring | Ring | Bague |
| 21 | 1652 23 70 00 | | Innerring | Ring | Ring | Bague |
| 22 | 1652 24 21 00 | | Rullager | Rollenlager | Roller bearing | Roulement à roue |
| 23 | 1652 23 71 00 | | Säkringsbricka | Sicherheits-Scheibe | Safety washer | Rondelle de sureté |
| 24 | 732 51 20 30 | | Mutter | Mutter | Nut | Ecrou |
| 25 | 1652 23 72 00 | | Navkapsel | Nabenkappe | Hub cap | Chapeau de moyeu |
| 26 | 738 21 20 90 | | Låsbricka | Sicherungsscheibe | Lock washer | Rondelle d'arrêt |
| 27 | 738 86 20 02 | AM 8 | Smörnippel | Schmierlippel | Grease nipple | Graisseur |
| 28 | 1652 24 22 00 | | Rullager | Rollenlager | Roller bearing | Roulement à roue |
| 29 | 1652 23 73 60 | | Fälg | Felge | Rim | Jante |
| 30 | 721 43 67 01 | FRP 5x90 | Rörpinne | Hohlstift | Tension pin | Goupille cannelée |
| 31 | 1652 26 50 00 | | Låstapp | Zylinderbolzen | Pivot pin | Cheville |
| 32 | 1652 12 67 00 | | Tryckfjäder | Drückfeder | Compression spring | Ressort de linquet |
| 33 | 1652 26 51 00 | | Fjäderhållare | Halter | Bracket | Support fixation |
| 34 | 1652 26 52 00 | | Bricka | Scheibe | Washer | Rondelle |
| 35 | 1652 26 53 00 | | Slitbricka | Reibungsscheibe | Wearing washer | Rondelle d'usure |
| 36 | 1652 26 54 00 | | Medbringare | Dreham | Turn-over arm | Bras de retournement |
| 37 | 725 26 38 51 | M6S 16x90 | Skruv | Schraube | Bolt | Vis |
| 38 | 1650 36 04 05 | M6M 16 | Mutter | Mutter | Nut | Ecrou |
| 39 | 734 11 86 01 | BRB 17x30 | Bricka | Scheibe | Washer | Rondelle |
| 40 | 1652 26 59 00 | | Axel | Achse | Axle | Axe |
| 41 | 735 31 47 01 | SgA 60 | Spärring | Nutring | Circlip | Circlips |
| 42 | 1652 26 60 00 | | Spärr | Klinke | Catch | Loquet |
| 43 | 1652 26 61 00 | | Spärrhandtag | Klinke | Catch | Loquet |
| 44 | 1652 26 64 00 | | Tryckfjäder | Drückfeder | Compression spring | Ressort de linquet |
| 47 | 1652 08 68 00 | | Hylsa | Hölse | Sleeve | Manchon |
| 50 | 734 11 92 01 | BRB 21x37 | Bricka | Scheibe | Washer | Rondelle |

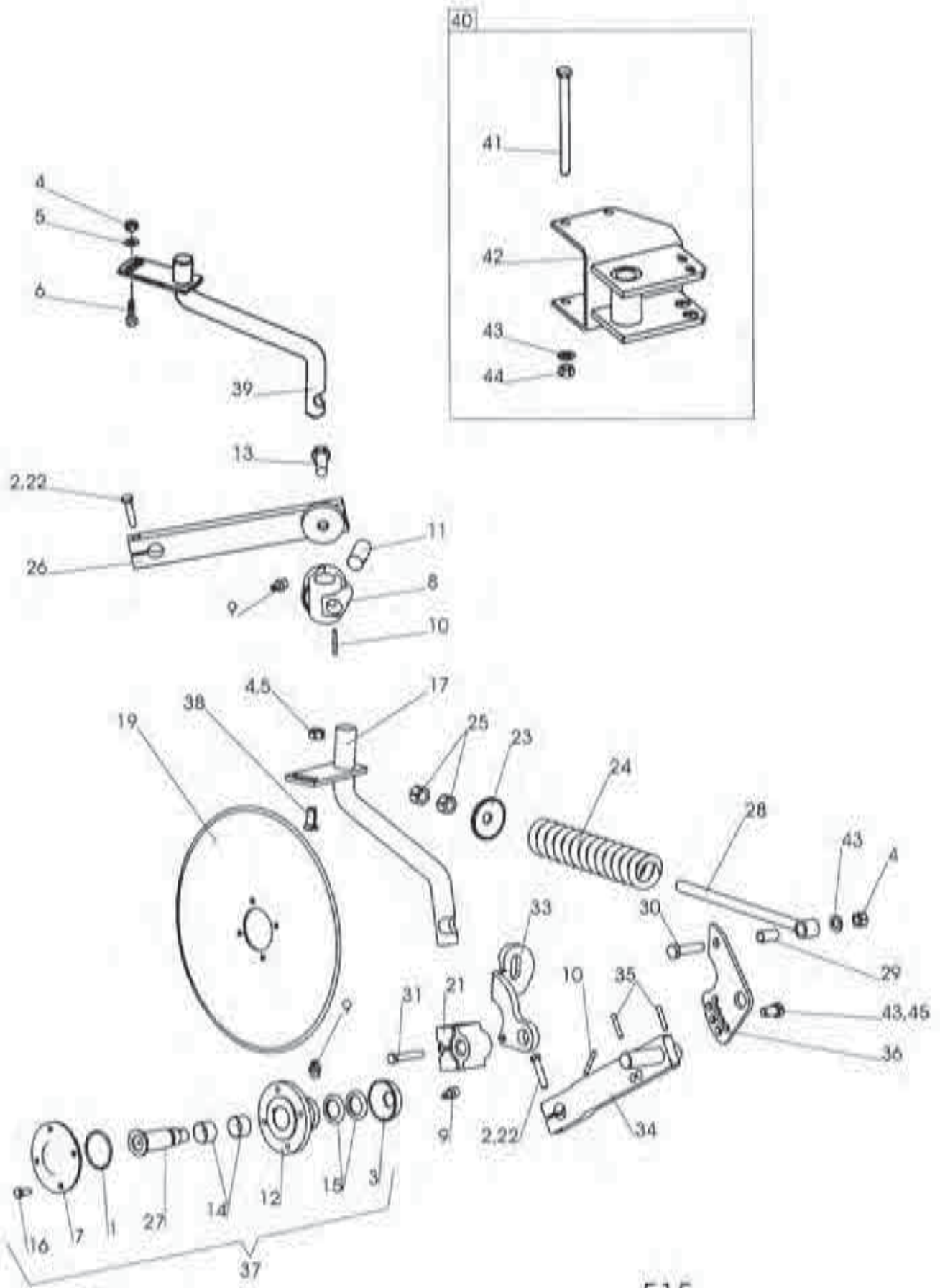


| Pos nr Pos.Nr Ref.No Fig.N° | Detail nr Best.Nr Part No Code N° | | Benämning | Bezeichnung | Description | Description |
|--------------------------------------|--------------------------------------------|------------|-------------|--------------|-------------------|---------------------|
| 446 | | DX | KOMBINJUL | KOMBIRAD | COMBINDE WHEEL | ROUE COMBINASION |
| 54 | 1658 56 25 00 | | Glidlager | Lager | Bearing | Pater |
| 55 | 738 88 20 03 | AM 8x1,25 | Smörjnippel | Schmiemippel | Grease nipple | Graisseur |
| 56 | 1652 27 68 00 | | Platta | Platte | Plate | Plaque |
| 57 | 1652 27 67 00 | | Skrapfäste | Halter | Holder | Support |
| 58 | 1652 27 68 00 | | Distan | Distanz | Spacing | Entretoise |
| 59 | 1652 26 66 50 | | Avskrapare | Abstreifer | Scraper | Décrattoir |
| 60 | 725 26 28 51 | M6S 16x40 | Skruv | Schraube | Bolt | Vis |
| 61 | 725 26 33 51 | M6S 16x65 | Skruv | Schraube | Bolt | Vis |
| 62 | 732 21 24 51 | M6M 16 | Mutter | Mutter | Nut | Ecrou |
| 63 | 1658 50 05 00 | | Snabbås | Klappspint | Linch pin | Goupille |
| 64 | 1652 12 51 00 | (5 100°) | Stoppbricka | Sperscheibe | Stop washer | Rondelle d'arrêt |
| 65 | 1652 12 50 00 | (4 90°) | Stoppbricka | Sperscheibe | Stop washer | Rondelle d'arrêt |
| 66 | 1652 06 23 00 | (3 60°) | Stoppbricka | Sperscheibe | Stop washer | Rondelle d'arrêt |
| 67 | 1652 06 22 00 | (2 40°) | Stoppbricka | Sperscheibe | Stop washer | Rondelle d'arrêt |
| 68 | 725 24 97 51 | M6S 10x35 | Skruv | Schraube | Bolt | Vis |
| 69 | 732 21 20 51 | M6M 10 | Mutter | Mutter | Nut | Ecrou |
| 70 | 725 25 38 51 | M6S 12x30 | Skruv | Schraube | Bolt | Vis |
| 71 | 1652 38 72 00 | | Ring | Ring | Ring | Bague |
| 72 | 1652 38 71 00 | | Hylsa | Hülse | Sleeve | Manchon |
| 73 | 734 11 98 01 | BRB 25x44 | Bricka | Scheibe | Washer | Rondelle |
| 74 | 1652 39 84 00 | | Hylsa | Hülse | Sleeve | Manchon |
| 75 | 738 88 50 03 | BM 8x1,25 | Smörjnippel | Schmiemippel | Grease nipple | Graisseur |
| 76 | 725 25 09 51 | M6S 10x90 | Skruv | Schraube | Bolt | Vis |
| 77 | 1659 08 58 00 | M6S 16x215 | Skruv | Schraube | Bolt | Vis |



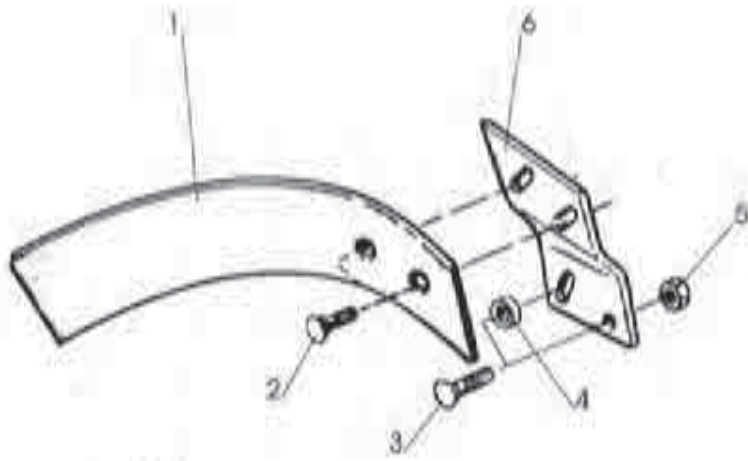
515

| Pos nr Pos.Nr Ref.No Fig.N° | Detail nr Best.Nr Part No Code N° | Benämning | Bezeichnung | Description | Description |
|--------------------------------------|--------------------------------------------|------------------------------------------|--------------------------------------------|-------------------------------------------------------|---------------------------------------------------|
| 515 | | SKIVRIST | SCHEIBENSECH | DISC COULTER | COUTRE CIRCULAIRE |
| | R= | Höger | Rechts | Right | Droite |
| | L= | Vänster | Links | Left | Gauche |
| | 1652 55 00 91 e450 R | Fjädrande skivrist med arm kompl | Gef. Scheibensech mit Arm kompl | Spring-loaded disc coultter with arm compl. | Coutre circulaire a ressort avec bras cpl. |
| | 1652 55 00 92 e450 L | Fjädrande skivrist med arm kompl | Gef. Scheibensech mit Arm kompl | Spring-loaded disc coultter with arm compl. | Coutre circulaire a ressort avec bras cpl. |
| | 1652 55 00 93 e500 R | Fjädrande skivrist med arm kompl | Gef. Scheibensech mit Arm kompl | Spring-loaded disc coultter with arm compl. | Coutre circulaire a ressort avec bras cpl. |
| | 1652 55 00 94 e500 L | Fjädrande skivrist med arm kompl | Gef. Scheibensech mit Arm kompl | Spring-loaded disc coultter with arm compl. | Coutre circulaire a ressort avec bras cpl. |
| | 1652 55 00 95 e500 R | Fjädrande skivrist ripplad med arm kompl | Gef. Scheibensech mit Arm kompl. Gewelltes | Spring-loaded disc coultter with arm compl. wavy edge | Coutre circulaire a ressort avec bras cpl. ondule |
| | 1652 55 00 96 e500 L | Fjädrande skivrist ripplad med arm kompl | Gef. Scheibensech mit Arm kompl. Gewelltes | Spring-loaded disc coultter with arm compl. wavy edge | Coutre circulaire a ressort avec bras cpl. ondule |
| | 1659 47 30 03 e450 R | Fast skivrist med arm kompl | Scheibensech mit Arm kompl. | Disc coultter with arm compl. | Coutre circulaire avec bras cpl. |
| | 1659 47 30 04 e450 L | Fast skivrist med arm kompl | Scheibensech mit Arm kompl. | Disc coultter with arm compl. | Coutre circulaire avec bras cpl. |
| | 1659 47 30 07 e500 R | Fast skivrist med arm kompl | Scheibensech mit Arm kompl. | Disc coultter with arm compl. | Coutre circulaire avec bras cpl. |
| | 1659 47 30 08 e500 L | Fast skivrist med arm kompl | Scheibensech mit Arm kompl. | Disc coultter with arm compl. | Coutre circulaire avec bras cpl. |
| | 1659 47 30 11 e500 R | Fast skivrist med arm kompl ripplad | Gewelltes Scheibensech mit Arm kompl. | Wavy edge disc coultter with arm compl. | Coutre circulaire ondule avec bras cpl. |
| | 1659 47 30 12 e500 L | Fast skivrist med arm kompl ripplad | Gewelltes Scheibensech mit | Wavy edge disc coultter with arm | Coutre circulaire ondule avec bras |
| 1 | 740 46 46 04 Or 65,00x3,53 | O-ring | O-ring | O-ring | Joint thorique |
| 2 | 726 25 43 61 M6S 12x55 | Skruv | Schraube | Bolt | Vis |
| 3 | 1658 09 59 00 | Tätningssbricka | Dichtungsscheibe | Sealing washer | Rondelle |
| 4 | 731 23 24 01 M6M 16 | Mutter | Mutter | Nut | Ecrou |
| 5 | 1658 58 84 00 | Bricka | Scheibe | Washer | Rondelle |
| 6 | 726 26 29 61 M6S 16x45 | Skruv | Schraube | Bolt | Vis |
| 7 | 1658 09 66 50 | Lock | Deckel | Cover | Chapeau de |
| 8 | 1659 47 34 90 | Lagerkuts | Lagerplatte | Bearing plate | Support de palier |
| 9 | 738 68 20 03 AM 8x1,25 | Smögnippel | Schmiernippel | Grease nipple | Graisseur |
| 10 | 721 43 46 01 FRP 6x50 | Rörpinne | Hohlstift | Tension pin | Goupille cannelée |
| 11 | 1652 43 72 00 F | Låstapp | Zylinderbolzen | Pivot pin | Cheville |
| 12 | 1658 09 67 50 | Nav | Nabe | Hub | Moyeu |
| 13 | 726 26 76 61 M6S 20x55 | Skruv | Schraube | Bolt | Vis |
| 14 | 1657 55 45 00 2 | Nållager | Nadellager | Needle bearing | Coussinet |
| 15 | 740 51 77 00 A 35x52x7 | Tätningssring | Dichtungsring | Sealing ring | Bague d'usure |
| 16 | 726 24 93 61 M6S 10x25 | Skruv | Schraube | Bolt | Vis |

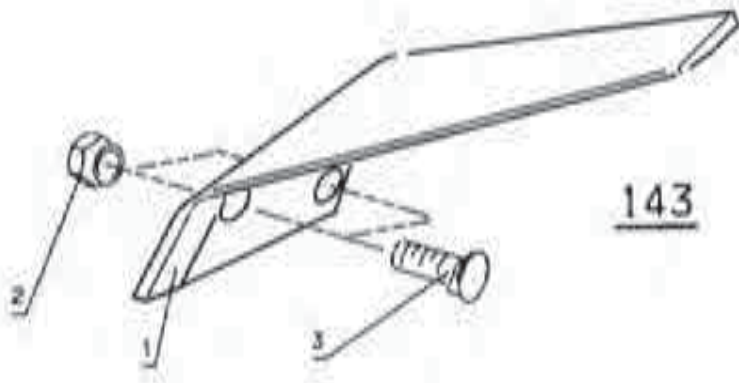


515

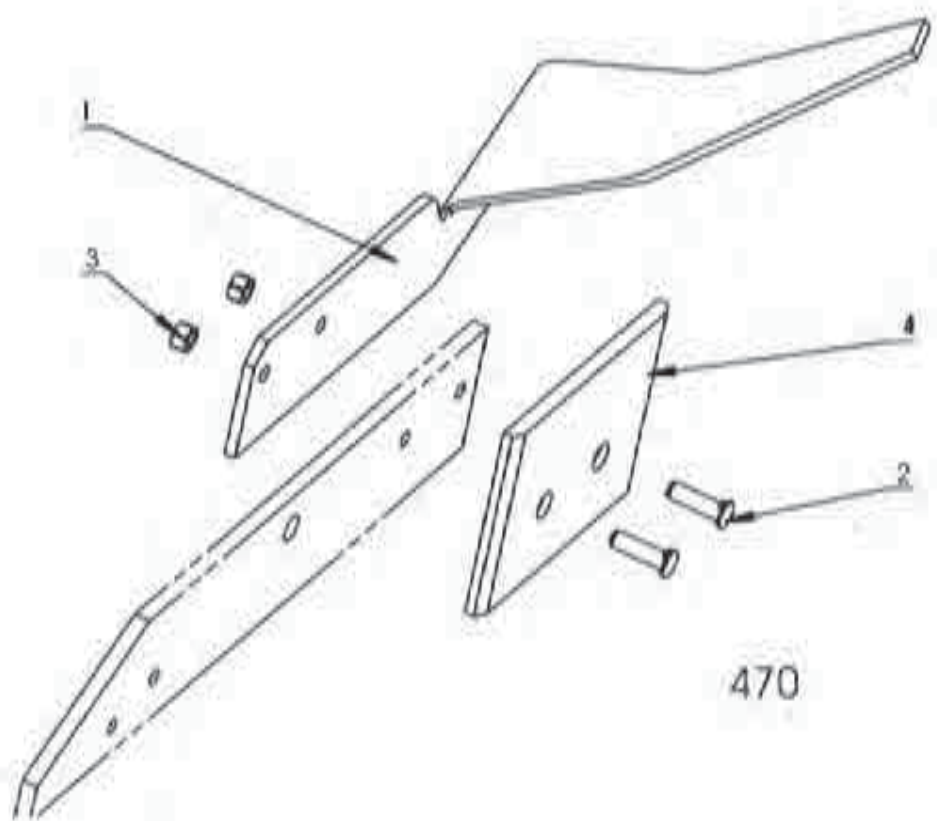
| Pos nr Pos.Nr Ref.No Fig.N° | Detail nr Best.Nr Part No Code N° | | Benämning | Bezeichnung | Description | Description |
|--------------------------------------|-------------------------------------------------|----------------------|-------------------------------------------------------------------------------|---------------------------------------------------------------------------|---------------------------------------------------------------------------|--------------------------------------------------------------------------------------|
| 515 | | | SKIVRIST | SCHEIBENSECH | DISC COULTER | COUTRE CIRCULAIRE |
| 17 | 1658 97 29 00 1658 97 30 00 | R L | Skaft fjädrande Skaft fjädrande | Schaft Schaft | Shank Shank | Étançon de rasette Étançon de rasette |
| 19 | 1657 25 47 00 1658 06 62 00 1658 06 83 00 | a450 a500 e500 | Skivristklinga slät Skivristklinga slät Skivristklinga ripplad | Sechsscheibe flach Sechsscheibe flach Sechsscheibe Gewellt | Coultter disc plain Coultter disc plain Coultter disc disc | Disque de coudre plain Disque de coudre plain Disque de coudre ondulé |
| 21 | 1662 52 51 00 | | Lagerkufs | Lager | Bearing | Palier |
| 22 | 734 11 78 01 | BRB 13x24 | Bricka | Scheibe | Washer | Plaquette |
| 23 | 1658 09 61 00 | | Bricka | Scheibe | Washer | Rondelle |
| 24 | 1658 15 29 00 | | Tryckfjäder | Feder | Spring | Ressort |
| 25 | 731 43 26 01 | M6LM 20 | Mutter | Mutter | Nut | Ecrou |
| 26 | 1652 07 69 00 1652 07 70 00 | R L | Inställn. arm Inställn. arm | Festsattelhebel Festsattelhebel | Adjustment Adjustment | Approche Approche |
| 27 | 1658 10 76 00 1658 56 71 00 | R L | Axelapp Axelapp | Welle Welle | Stube axle Stube axle | Axe Axe |
| 28 | 1658 54 38 00 | | Dragstång | Zugslange | Draw rod | Barre d'attelage |
| 29 | 1658 62 40 09 | FRP 20x36 | Rörpinne | Hohlstift | Tension pin | Goupille cannelée |
| 30 | 725 26 33 81 | M6S 16x65 | Skruv | Schraube | Bolt | Vis |
| 31 | 725 26 45 51 | M6S 12x65 | Skruv | Schraube | Bolt | Vis |
| 33 | 1652 52 50 00 1652 52 52 00 | R L | Fjäderhållare Fjäderhållare | Haltearm Haltearm | Bracket Bracket | Support fixation Support fixation |
| 34 | 1658 66 39 00 1658 66 42 00 | R L | Arm Arm | Arm Arm | Arm Arm | Bras Bras |
| 35 | 721 43 84 01 | FRP 8x45 | Rörpinne | Hohlstift | Tension pin | Goupille cannelée |
| 36 | 1652 52 49 00 | | Hävarm | Hebelarm | Lever arm | Bras de levier |
| 37 | 1657 59 75 01 1659 22 37 01 | R L | Skivristnav kompl Skivristnav kompl | Nabe kompl. Nabe kompl. | Hub compl. Hub compl. | Moyeu cpl. Moyeu cpl. |
| 38 | 1659 36 02 33 | MFBK 16x40 | Skruv | Schraube | Bolt | Vis |
| 39 | 1659 42 44 00 1659 42 43 00 | R L | Skaft fast Skaft fast | Schaft Schaft | Shank Shank | Étançon de rasette Étançon de rasette |
| 40 | 1652 40 83 00 1659 64 09 00 | BX CXF, DXF | Skivristfäste kompl Skivristfäste kompl | Halter kompl. Halter kompl. | Bracket compl. Bracket compl. | Support cpl. Support cpl. |
| 41 | 1659 36 06 69 | M6S 16x200 | Skruv | Schraube | Bolt | Vis |
| 42 | 1652 40 83 00 1659 64 09 00 | BX CXF, DXF | Fäste Fäste | Halter Halter | Bracket Bracket | Support Support |
| 43 | 734 11 86 01 | BRB 17x30 | Bricka | Scheibe | Washer | Plaquette |
| 44 | 1659 36 04 05 | M6M 18 | Mutter | Mutter | Nut | Ecrou |
| 45 | 725 26 24 51 | M6S 16x30 | Skruv | Schraube | Bolt | Vis |



15

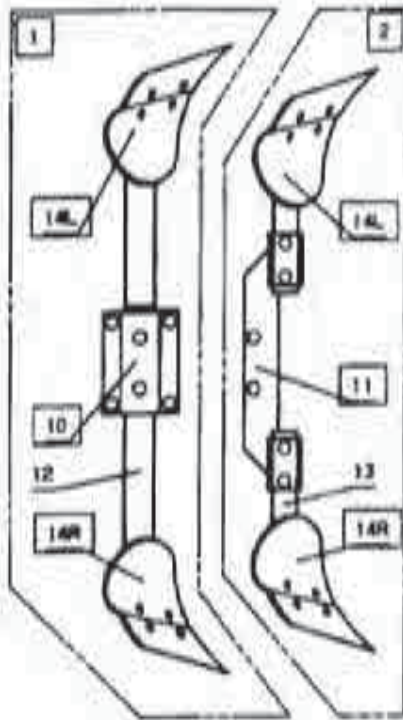


143

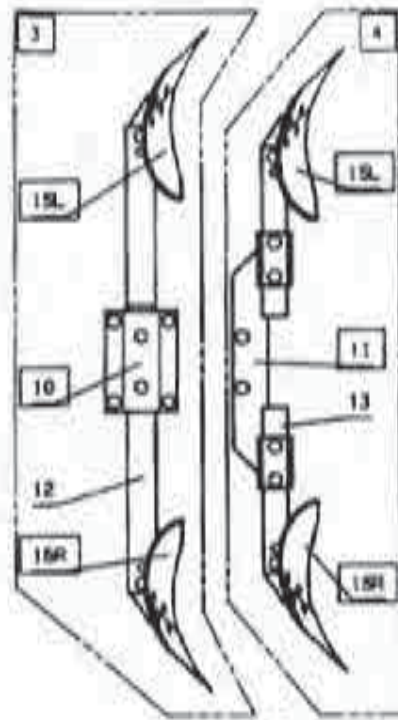


470

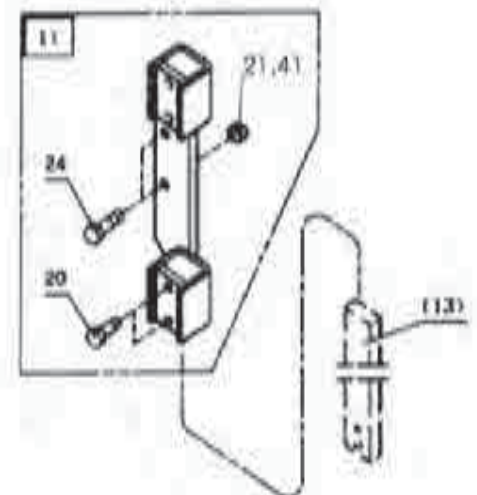
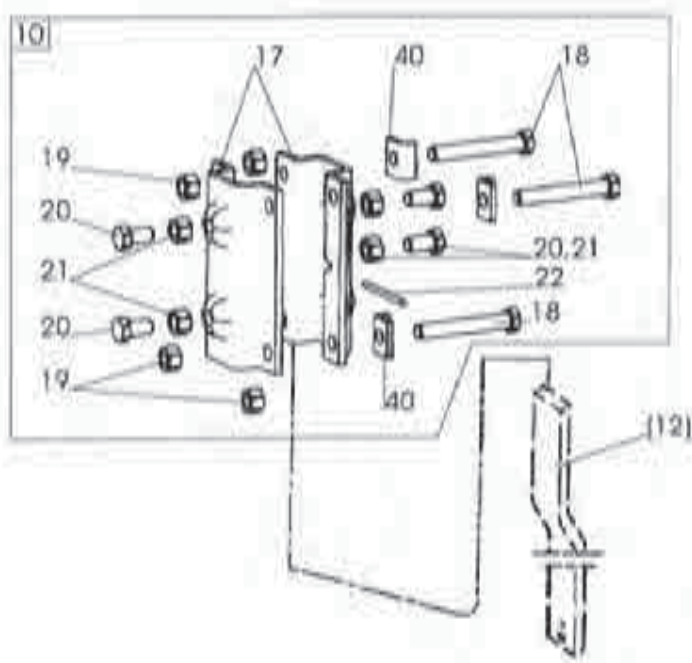
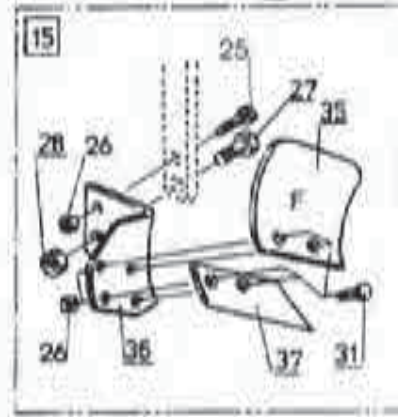
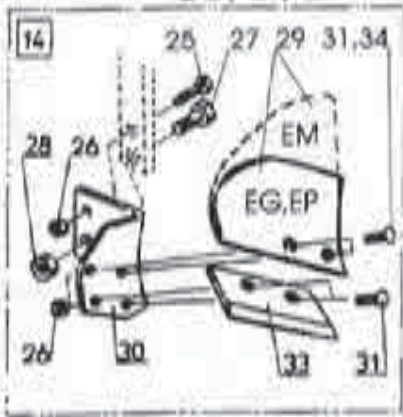
| Pos nr Pos.Nr Ref.No Fig.N° | Detalj nr BesLNr Part No Code N° | Benämning | Bezeichnung | Description | Description | |
|--------------------------------------|-------------------------------------------|------------------------|--------------------------|-----------------------------------|----------------------------------|--------------------------------------|
| 16 | | XL,XU,XS UC | SKUMVINGE | Einleger- STREICHBLECH | COVERBOARD | DEFLECTEUR |
| | | R= | Höger | Rechts | Right | Droite |
| | | L= | Vänster | Links | Left | Gauche |
| | 1659 62 89 50 | L,XL,UC | Skumvinge kompl | Einlegerstreich- blech kompl | Coverboard compl | DÜflecteur cpl |
| | 1659 62 88 50 | R,XL,UC | Skumvinge kompl | Einlegerstreich- blech kompl | Coverboard compl | DÜflecteur cpl |
| | 1652 13 38 50 | L,XU,XS | Skumvinge kompl | Einlegerstreich- blech kompl | Coverboard compl | DÜflecteur cpl |
| | 1652 13 37 50 | R,XU,XS | Skumvinge kompl | Einlegerstreich- blech kompl | Coverboard compl | DÜflecteur cpl |
| 1 | 1659 60 65 50 | L | Skumvinge | Streichblech | Coverboard | DÜflecteur |
| | 1659 60 64 50 | R | Skumvinge | Streichblech | Coverboard | DÜflecteur |
| 2 | 1650 36 02 22 | MFBK 12x35 | Skruv | Schraube | Bolt | Vis |
| 3 | 1650 36 02 23 | MFBK 12x40 | Skruv | Schraube | Bolt | Vis |
| 4 | 1656 94 89 00 | XL,UC | Hylsa | Hülse | Sleeve | Manchon |
| 5 | 1650 36 15 05 | M6M 12 | Flänsmutter | Bundmutter | Collar nut | Ecrou d'accouplm. |
| 6 | 1659 46 25 50 | L,XL,UC | Fäste | Halter | Bracket | Support |
| | 1659 46 24 50 | R,XL,UC | Fäste | Halter | Bracket | Support |
| | 1659 95 28 50 | L,XU,XS | Fäste | Halter | Bracket | Support |
| | 1659 95 27 50 | R,XU,XS | Fäste | Halter | Bracket | Support |
| 143 | | | FÄR- BREDDARE | FURCHEN- MESSER | FURROW WIDENING KNIFE | COUPEAU POUR PNEUS LARGES |
| | 1659 56 78 59 | R | Fårbreddare kompl | Furchen-Messer kompl | Furrow knife compl | Couteau cpl |
| | 1659 56 79 59 | L | Fårbreddare kompl | Furchen-Messer kompl | Furrow knife compl | Couteau cpl |
| 1 | 1659 56 78 50 | R | Fårbreddare | Furchen-Messer | Furrow knife | Couteau |
| | 1659 56 79 50 | L | Fårbreddare | Furchen-Messer | Furrow knife | Couteau |
| 2 | 1650 36 13 03 | M6M 12x1,25 | Mutter | Mutter | Nut | Ecrou |
| 3 | 1650 36 12 21 | MFBKF 12x29 | Skruv | Schraube | Bolt | Vis |
| 470 | | | FÄR- BREDDARE | FURCHEN- MESSER | FURROW WIDENING KNIFE | COUPEAU POUR PNEUS LARGES |
| | 1652 47 89 00 | R | Fårbreddare kompl | Furchen-Messer kompl | Furrow knife compl | Couteau cpl |
| | 1652 47 90 00 | L | Fårbreddare kompl | Furchen-Messer kompl | Furrow knife compl | Couteau cpl |
| 1 | 1652 38 68 50 | R | Fårbreddare | Furchen-Messer | Furrow knife | Couteau |
| | 1652 38 67 50 | L | Fårbreddare | Furchen-Messer | Furrow knife | Couteau |
| 2 | 1650 36 12 24 | MFBKF 12x45 | Skruv | Schraube | Bolt | Vis |
| 3 | 1650 36 13 03 | M6M 12x1,25 | Mutter | Mutter | Nut | Ecrou |
| 4 | 1659 42 89 00 | | Slitplatta | Verschleissplatte | Wearing plate | Plaque d'usure |



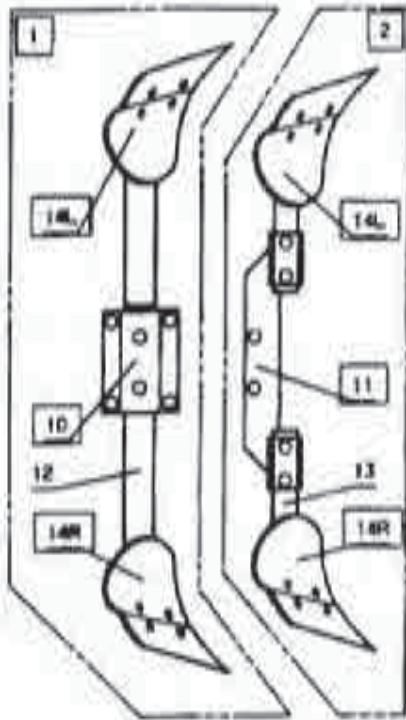
EG, EP, EM



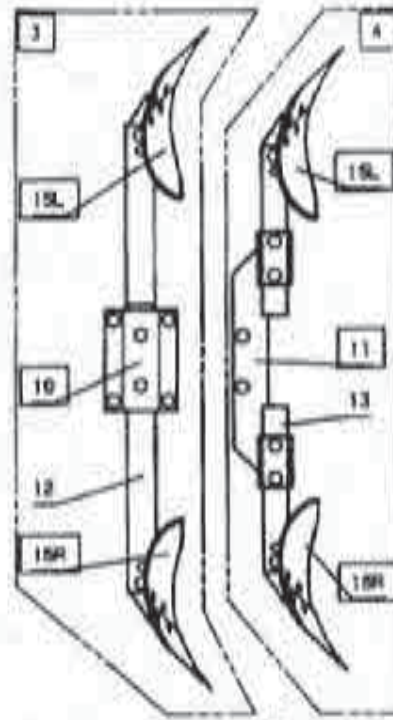
E



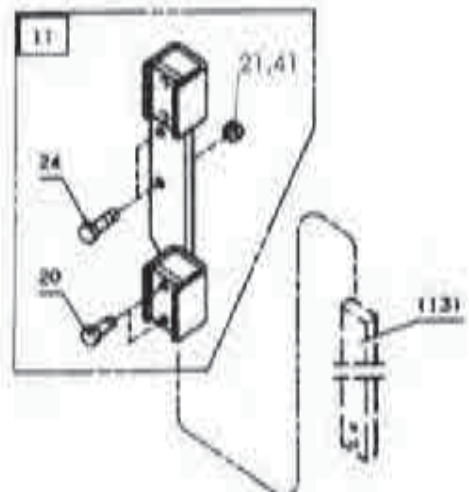
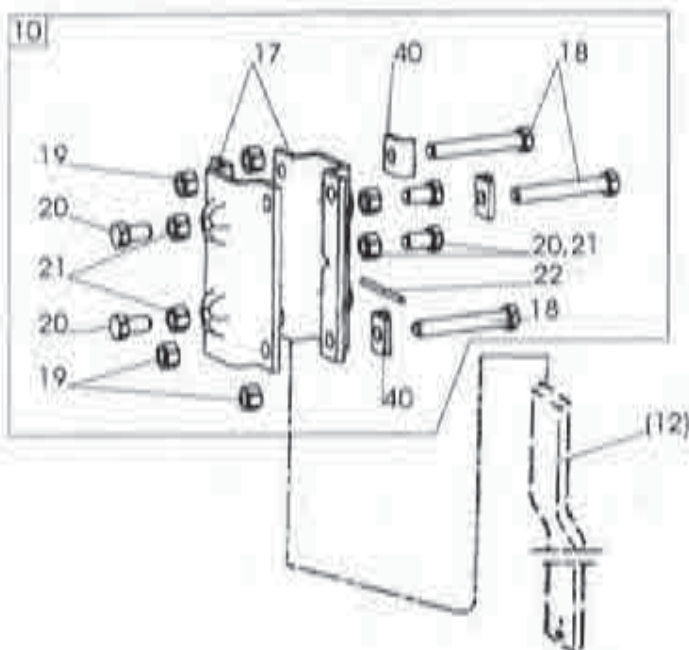
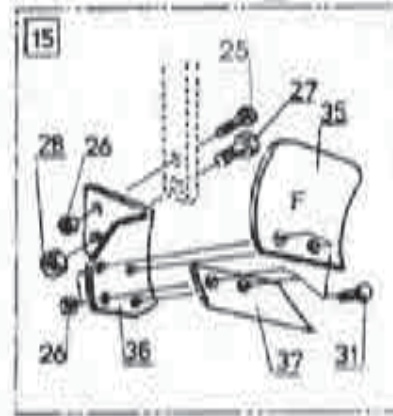
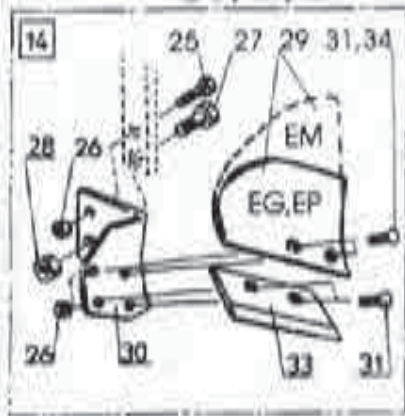
| Pos nr Pos.Nr Ref.No Fig.N° | Detalj nr Best.Nr Part No Code N° | | Benämning | Bezeichnung | Description | Description |
|--------------------------------------|--------------------------------------------|-------|-----------------|-------------------|-----------------|---------------------|
| 479 | | | SKUMRIST | VORSCHÄLER | SKIMMER | RASETTE |
| | | R= | Höger | Rechts | Right | Droite |
| | | L= | Vänster | Links | Left | Gauche |
| 1 | 1659 90 51 50 80 | | EP-rist | Vorschäler typ EP | Skimmer type EP | Rasette type EP |
| | 1652 08 34 50 75 | | EP-rist | Vorschäler typ EP | Skimmer type EP | Rasette type EP |
| | 1659 82 51 80 80 | | EG-rist | Vorschäler typ EG | Skimmer type EG | Rasette type EG |
| | 1652 08 31 50 75 | | EG-rist | Vorschäler typ EG | Skimmer type EG | Rasette type EG |
| | 1652 47 84 50 80 | | EM-rist | Vorschäler typ EM | Skimmer type EM | Rasette type EM |
| | 1652 47 85 50 75 | | EM-rist | Vorschäler typ EM | Skimmer type EM | Rasette type EM |
| 2 | 1659 90 54 50 80 | | EP-rist | Vorschäler typ EP | Skimmer type EP | Rasette type EP |
| | 1659 90 53 50 75 | | EP-rist | Vorschäler typ EP | Skimmer type EP | Rasette type EP |
| | 1659 90 52 50 70 | | EP-rist | Vorschäler typ EP | Skimmer type EP | Rasette type EP |
| | 1659 82 54 50 80 | | EG-rist | Vorschäler typ EG | Skimmer type EG | Rasette type EG |
| | 1659 82 53 50 75 | | EG-rist | Vorschäler typ EG | Skimmer type EG | Rasette type EG |
| | 1659 82 52 50 70 | | EG-rist | Vorschäler typ EG | Skimmer type EG | Rasette type EG |
| | 1652 47 88 50 80 | | EM-rist | Vorschäler typ EM | Skimmer type EM | Rasette type EM |
| | 1652 47 87 50 75 | | EM-rist | Vorschäler typ EM | Skimmer type EM | Rasette type EM |
| | 1652 47 86 50 70 | | EM-rist | Vorschäler typ EM | Skimmer type EM | Rasette type EM |
| 3 | 1659 90 35 50 80 | | F-rist | Vorschäler typ F | Skimmer type F | Rasette type F |
| | 1652 08 32 50 75 | | F-rist | Vorschäler typ F | Skimmer type F | Rasette type F |
| 4 | 1659 90 38 50 80 | | F-rist | Vorschäler typ F | Skimmer type F | Rasette type F |
| | 1659 90 37 50 75 | | F-rist | Vorschäler typ F | Skimmer type F | Rasette type F |
| | 1659 90 36 50 70 | | F-rist | Vorschäler typ F | Skimmer type F | Rasette type F |
| 10 | 1659 45 46 50 | | Fäste | Haltearm | Bracket | Fixation de rasette |
| 11 | 1659 22 73 50 80 | | Fäste | Haltearm | Bracket | Fixation de rasette |
| | 1659 22 27 50 75 | | Fäste | Haltearm | Bracket | Fixation de rasette |
| | 1659 74 45 50 70 | | Fäste | Haltearm | Bracket | Fixation de rasette |
| 12 | 1652 08 29 50 | L=570 | Skaft | Schaft | Shank | Etançon de rasette |
| | 1659 82 82 50 | L=650 | Skaft | Schaft | Shank | Etançon de rasette |
| 13 | 1659 82 93 50 | | Skaft | Schaft | Shank | Etançon de rasette |
| 14 | 1659 90 49 50 R | | EP-rist | Vorschäler typ EP | Skimmer type EP | Rasette type EP |
| | 1659 90 50 50 L | | EP-rist | Vorschäler typ EP | Skimmer type EP | Rasette type EP |
| | 1659 82 60 50 R | | EG-rist | Vorschäler typ EG | Skimmer type EG | Rasette type EG |
| | 1659 82 61 50 L | | EG-rist | Vorschäler typ EG | Skimmer type EG | Rasette type EG |
| | 1652 44 23 50 R | | EM-rist | Vorschäler typ EM | Skimmer type EM | Rasette type EM |
| | 1652 44 24 50 L | | EM-rist | Vorschäler typ EM | Skimmer type EM | Rasette type EM |
| 15 | 1659 90 33 50 R | | F-rist | Vorschäler typ F | Skimmer type F | Rasette type F |
| | 1659 90 34 50 L | | F-rist | Vorschäler typ F | Skimmer type F | Rasette type F |



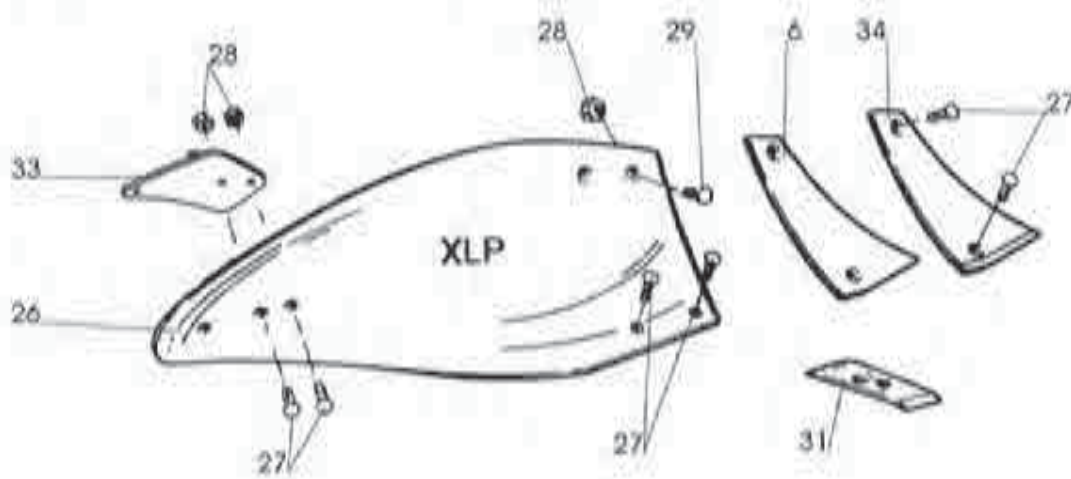
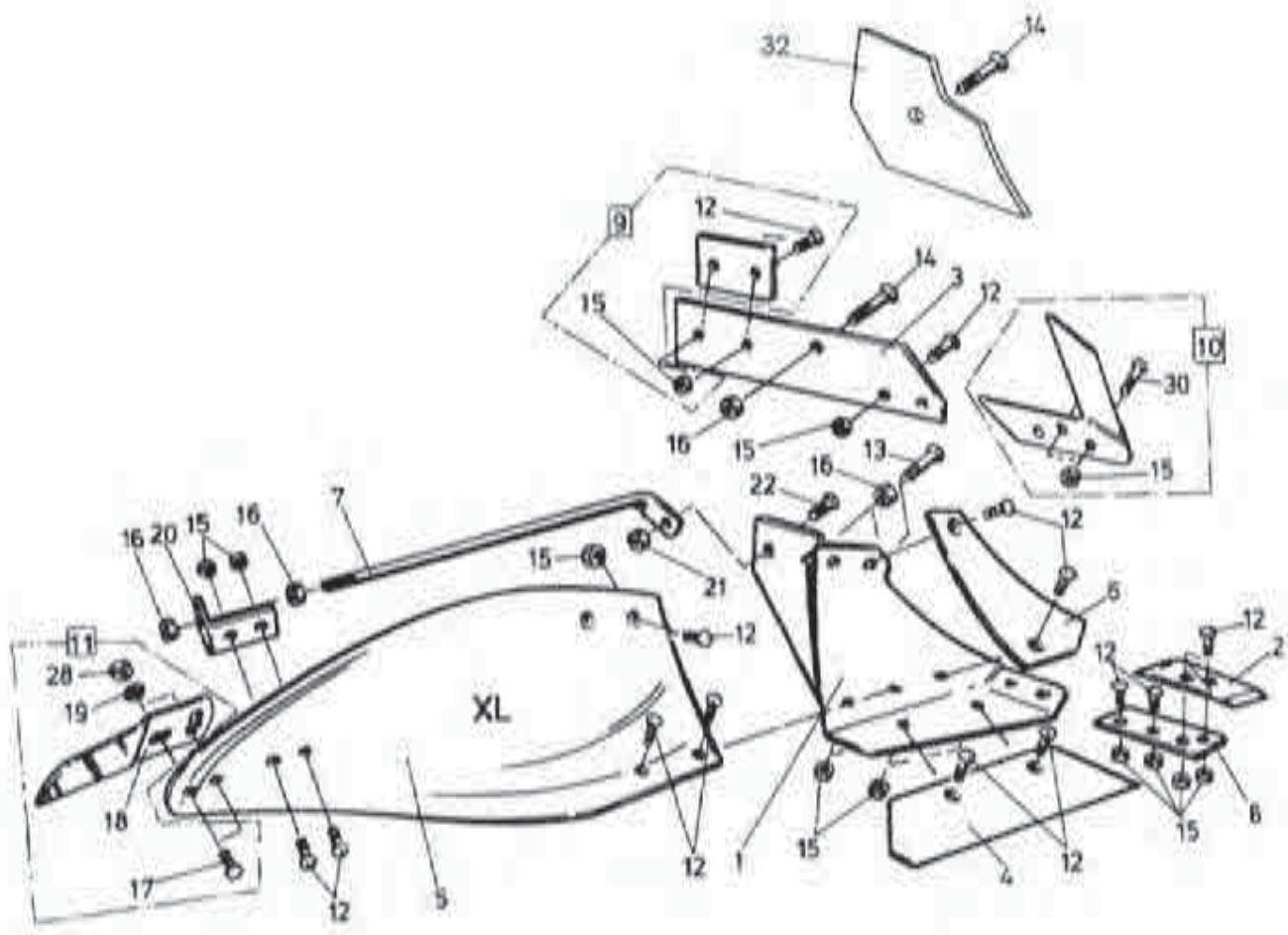
EG, EP, EM



F

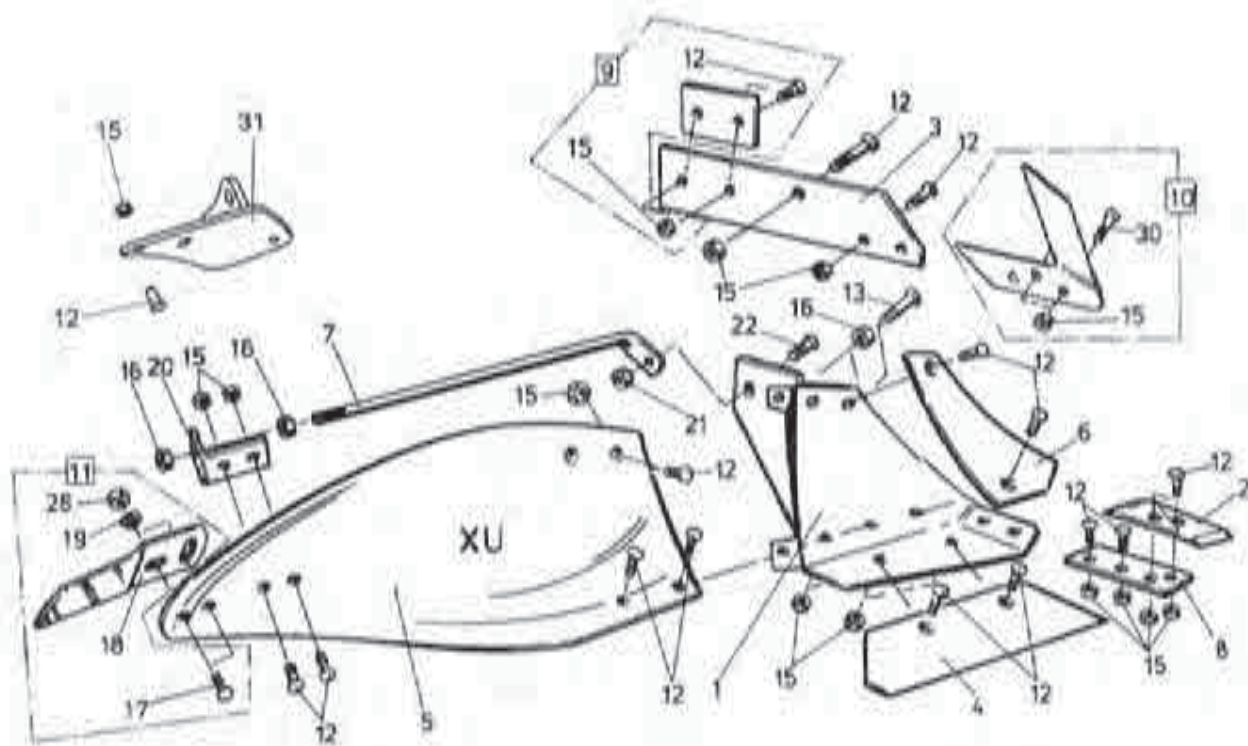


| Pos nr Pos.Nr Ref.No Fig.N° | Detail nr Best.Nr Part No Code N° | Benämning | Bezeichnung | Description | Description | |
|--------------------------------------|--------------------------------------------|------------------|----------------------|-----------------|---------------------|------------------|
| 479 | | SKUMFRIST | VORSCHÄLER | SKIMMER | RASETTE | |
| | | R= L= | Höger Vänster | Rechts Links | Right Left | Droite Gauche |
| 17 | 1659 44 42 50 | Fäste | Halter | Bracket | Support | |
| 18 | 725 26 42 51 | M6S 10x110 Skruv | Schraube | Bolt | Vis | |
| 19 | 731 23 24 01 | M6M 16 Mutter | Mutter | Nut | Ecrou | |
| 20 | 1659 16 34 00 | Justerskruv | Einstellschraube | Adjusting screw | Vis réglage | |
| 21 | 1650 36 04 05 | M6M 16 Mutter | Mutter | Nut | Ecrou | |
| 22 | 1659 45 45 50 | Pinne | Stift | Pin | Goupille | |
| 24 | 725 26 32 81 | M6S 16x60 Skruv | Schraube | Bolt | Vis | |
| 25 | 1652 03 76 00 | M6S 12x40 Skruv | Schraube | Bolt | Vis | |
| 26 | 731 23 22 01 | M6M 12 Mutter | Mutter | Nut | Ecrou | |
| 27 | 1652 03 77 00 | M6S 16x60 Skruv | Schraube | Bolt | Vis | |
| 28 | 732 21 24 51 | M16 Låsmutter | Nyloc-Mutter | Lock nut | Ecrou freiné | |
| 29 | 1659 18 03 09 | R EG-vändskiva | EG-Streichblech | EG-Mouldboard | EG-versoir de raset | |
| | 1659 18 04 09 | L EG-vändskiva | EG-Streichblech | EG-Mouldboard | EG-versoir de raset | |
| | 1659 20 85 09 | R EP-vändskiva | EP-Streichblech | EP-Mouldbord | EP-versoir de raset | |
| | 1659 20 86 09 | L EP-vändskiva | EP-Streichblech | EP-Mouldbord | EP-versoir de raset | |
| | 1652 44 21 09 | R EM-vändskiva | EM-Streichblech | EM-Mouldbord | EM-versoir de raset | |
| | 1652 44 22 09 | L EM-vändskiva | EM-Streichblech | EM-Mouldbord | EM-versoir de raset | |
| 30 | 1659 82 58 50 | R EG-EP-EM-ställ | EG-EP-EM-Scharhalter | EG-EP-EM-frog | EG-EP-EM-Sep | |
| | 1659 82 59 50 | L EG-EP-EM-ställ | EG-EP-EM-Scharhalter | EG-EP-EM-frog | EG-EP-EM-Sep | |
| 31 | 1650 36 02 21 | MFBK 12x28 Skruv | Schraube | Bolt | Vis | |
| 33 | 1659 18 01 09 | R EG-EP-EM-skär | EG-EP-EM-Schar | EG-EP-EM-share | EG-EP-EM-varnas | |
| | 1659 18 02 09 | L EG-EP-EM-skär | EG-EP-EM-Schar | EG-EP-EM-share | EG-EP-EM-varnas | |
| 34 | 1650 36 02 22 | MFBK 12x36 Skruv | Schraube | Bolt | Vis | |
| 35 | 1659 30 82 00 | R F-vändskiva | F-Streichblech | F-mouldboard | F-versoir de raset | |
| | 1659 30 81 00 | L F-vändskiva | F-Streichblech | F-mouldboard | F-versoir de raset | |
| 36 | 1659 90 31 50 | R F-ställ | F-Rumpf | F-frog | F-sep | |
| | 1659 90 32 50 | L F-ställ | F-Rumpf | F-frog | F-sep | |
| 37 | 1659 30 55 09 | R F-skär | F-Schar | F-shar | F-soc de raset | |
| | 1659 30 54 09 | L F-skär | F-Schar | F-shar | F-soc de raset | |
| 40 | 1652 00 96 00 | Låsbricka | Sicherungsscheibe | Lock washer | Rondelle d'arrêt | |



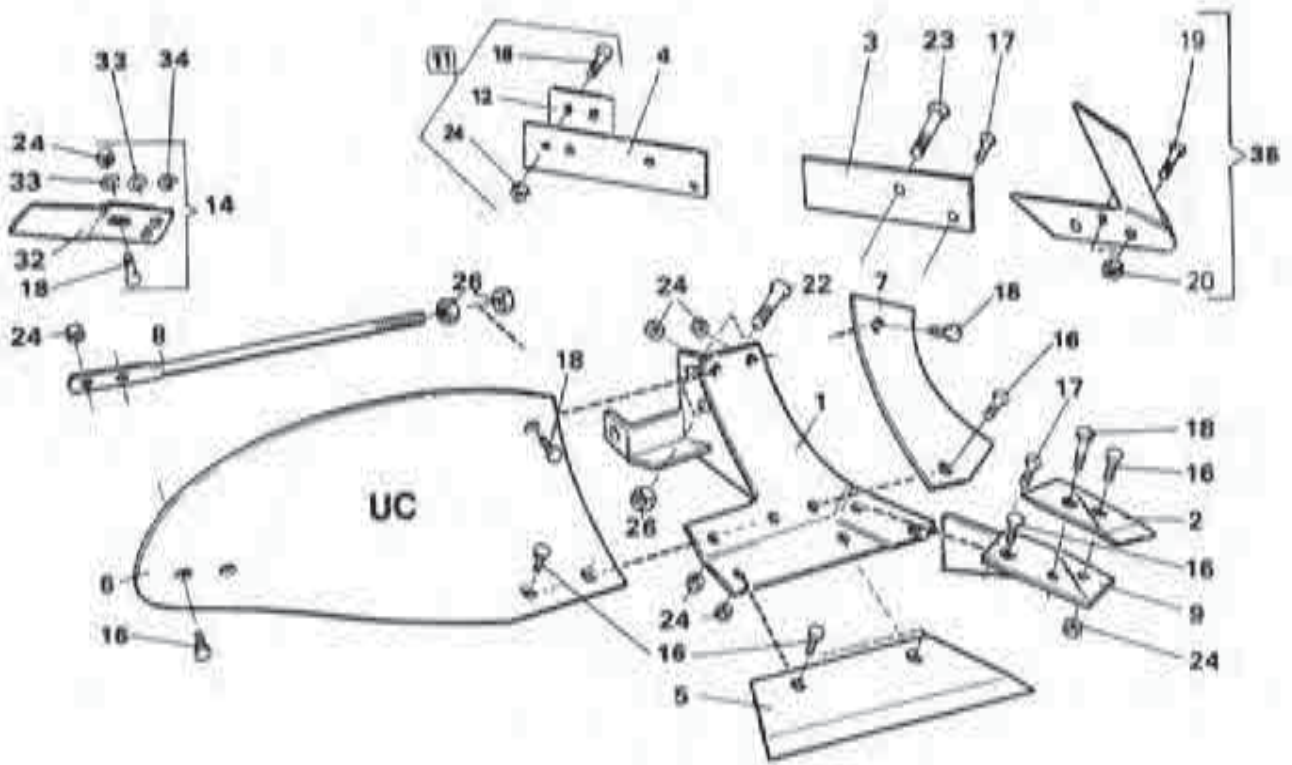
103d

| Pos nr Pos.Nr Ref.No Fig.N° | Detail nr Best.Nr Part No Code N° | Benämning | Bezeichnung | Description | Description | |
|--------------------------------------|--------------------------------------------|-------------|---------------------|----------------------------|-----------------------------|----------------------------|
| 103d | | XL,XLP | PLOGKROPP | PFLUGKÖRPER | PLOUGH BOTTOMS | CORPS DE CHARRUE |
| | | R= | Höger | Rechts | Right | Droite |
| | | L= | Vänster | Links | Left | Gauche |
| 1 | 1650 46 17 90 | L | Ställ | Rumpf | Frog | Sep |
| | 1650 46 18 90 | R | Ställ | Rumpf | Frog | Sep |
| 2 | 1650 46 09 09 | L | Spets | Scharspitze | Share point | Pointe |
| | 1650 46 08 09 | R | Spets | Scharspitze | Share point | Pointe |
| 3 | 1650 46 05 09 | L | Land sida | Landseite | Landside | Contre-sep |
| | 1650 46 04 09 | R | Land sida | Landseite | Landside | Contre-sep |
| 4 | 1650 45 90 09 | 14" L | Skär | Schar | Share | Soc |
| | 1650 45 98 09 | 14" R | Skär | Schar | Share | Soc |
| | 1650 46 01 09 | 16" L | Skär | Schar | Share | Soc |
| | 1650 46 00 09 | 16" R | Skär | Schar | Share | Soc |
| | 1650 46 03 09 | 18" L | Skär | Schar | Share | Soc |
| | 1650 46 02 09 | 18" R | Skär | Schar | Share | Soc |
| 5 | 1650 45 95 99 | XL/L | Vändskiva | Streichblech | Mouldboard | Versoir |
| | 1650 45 94 99 | XL/R | Vändskiva | Streichblech | Mouldboard | Versoir |
| 6 | 1650 45 97 09 | L | Vändskivebröst | Streichblechbrust | Mouldboard shin | Epaulement de versoir |
| | 1650 45 98 09 | R | Vändskivebröst | Streichblechbrust | Mouldboard shin | Epaulement de versoir |
| 7 | 1650 46 14 90 | | Stötta | Haltestrebe | Support stay | Renfort de versoir |
| 8 | 1650 46 13 09 | L | Fäste | Halter | Bracket plate | Plaque de serrage |
| | 1650 46 12 09 | R | Fäste | Halter | Bracket plate | Plaque de serrage |
| 9 | 1650 42 89 09 | | Slitplatta kompl | Verschleissplatte kompl | Wearing plate compl | Plaque d'usure cpl |
| 10 | 1650 46 23 09 | L | Knivrist | Anlagensech | Fin coulter | Coutre aileron |
| | 1650 46 22 09 | R | Knivrist | Anlagensech | Fin coulter | Coutre aileron |
| 11 | 1658 54 62 50 | XL/L | Tiltvinge kompl | Streichschiene kompl | Mouldboard extens. compl | Rallonge de versoir cpl |
| | 1658 54 61 50 | XL/R | Tiltvinge kompl | Streichschiene kompl | Mouldboard extens. compl | Rallonge de versoir cpl |
| 12 | 1650 36 12 21 | MFBKF 12x29 | Skruv | Schraube | Bolt | Vis |
| 13 | 1650 36 02 57 | MFBK 20x60 | Skruv | Schraube | Bolt | Vis |
| 14 | 1650 36 02 58 | MFBK 20x75 | Skruv | Schraube | Bolt | Vis |
| 15 | 1650 36 13 03 | M6M 12x1,25 | Mutter | Mutter | Nut | Ecrou |
| 16 | 1650 36 04 07 | M6M 20 | Mutter | Mutter | Nut | Ecrou |
| 17 | 1650 36 02 23 | MFBK 12x40 | Skruv | Schraube | Bolt | Vis |
| 18 | 1658 05 59 50 | XL/L | Tiltvinge | Streichschiene | Mouldboard extens. | Rallonge de versoir |
| | 1657 49 22 50 | XL/R | Tiltvinge | Streichschiene | Mouldboard extens. | Rallonge de versoir |
| 19 | 734 11 78 01 | BRB 13x24 | Bricka | Scheibe | Washer | Rondelle |
| 20 | 1659 46 15 90 | | Stöttvinkel | Halter | Bracket | Support |
| 21 | 731 23 24 01 | M6M 16 | Mutter | Mutter | Nut | Ecrou |
| 22 | 1650 36 02 33 | MFBK 16x40 | Skruv | Schraube | Bolt | Vis |
| 26 | 1650 46 27 09 | XLP/L | Plastvändskiva | Streichblech Kunststoff | Mouldboard plastic | Versoir plastique |
| | 1650 46 26 09 | XLP/R | Plastvändskiva | Streichblech Kunststoff | Mouldboard plastic | Versoir plastique |
| 27 | 1650 36 02 22 | MFBK 12x35 | Skruv | Schraube | Bolt | Vis |
| 28 | 1650 36 04 03 | M6M 12 | Mutter | Mutter | Nut | Ecrou |
| 29 | 1650 36 01 25 | MFBK 12x50 | Skruv | Schraube | Bolt | Vis |
| 30 | 1650 36 12 24 | MFBKF 12x45 | Skruv | Schraube | Bolt | Vis |
| 31 | 1650 62 73 09 | L | Spets special | Scharspitze spezial | Share point special | Pointe spécial |
| | 1650 62 72 09 | R | Spets special | Scharspitze spezial | Share point special | Pointe spécial |
| 32 | 1652 39 24 09 | R | Täckplåt | Deckblech | Covering plate | Plaque de recouvrement |
| | 1652 39 25 09 | L | Täckplåt | Deckblech | Covering plate | Plaque de recouvrement |
| 33 | 1652 43 67 50 | R | Stöttvinkel | Halter | Bracket | Support |
| | 1652 47 07 50 | L | Stöttvinkel | Halter | Bracket | Support |
| 34 | 1652 48 01 50 | R | Vändskivebröst fas | Streichblechbrust | Mouldboard shin | Epaulement de |
| | 1652 48 02 50 | L | Vändskivebröst fas | Streichblechbrust | Mouldboard shin | Epaulement de |



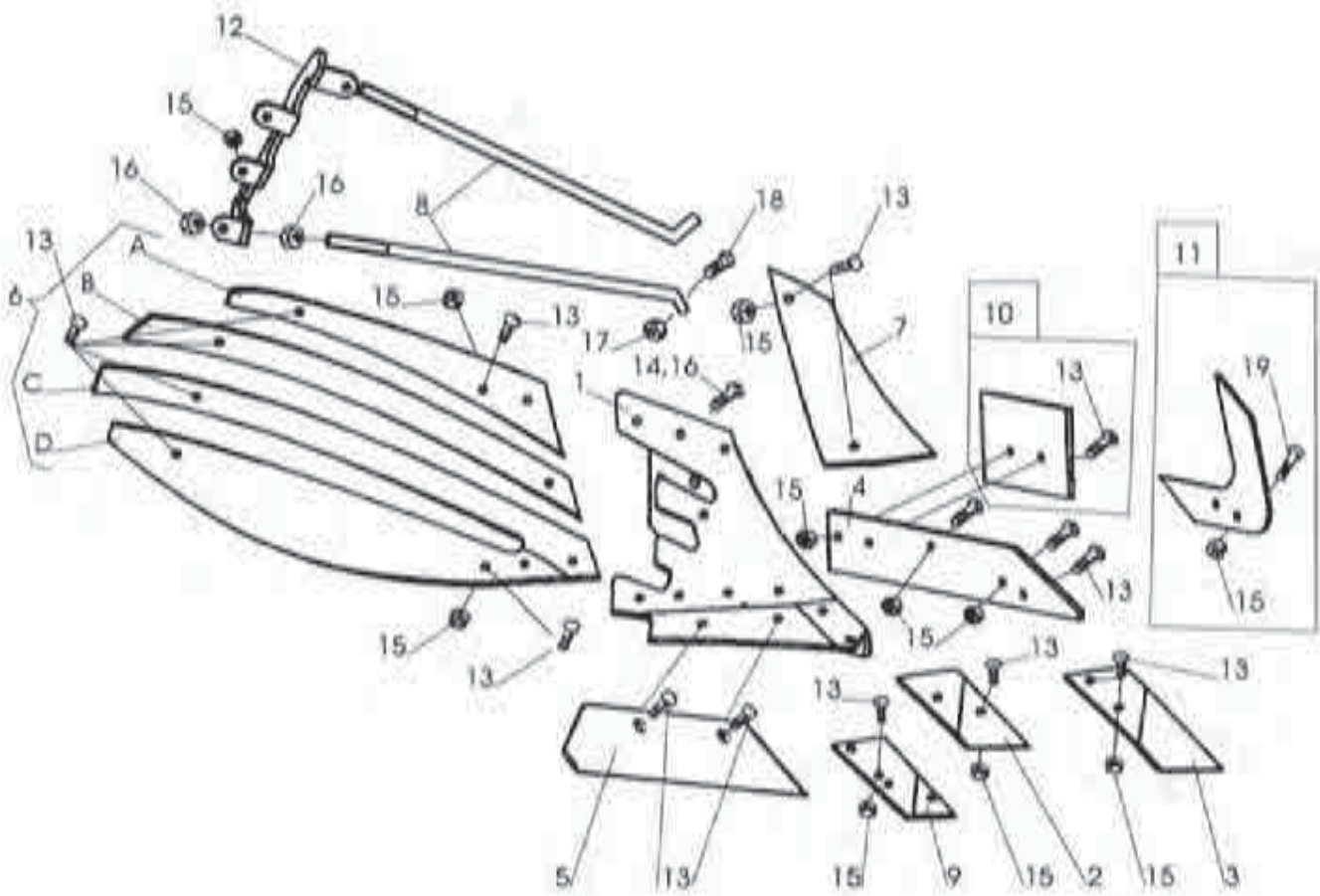
182

| Pos nr Pos.Nr Ref.No Fig.N° | Detalj nr Best.Nr Part No Code N° | | Benämning | Bezeichnung | Description | Description |
|--------------------------------------|--------------------------------------------|-------------|---------------------|---------------------------|-----------------------------|----------------------------|
| 182 | | XU | PLOGKROPP | PFLUGKÖRPER | PLOUGH BOTTOMS | CORPS DE CHARRUE |
| | | R= | Höger | Rechts | Right | Droite |
| | | L= | Vänster | Links | Left | Gauche |
| 1 | 1852 05 40 90 | L | Ställ | Rumpf | Frog | Sep |
| | 1852 05 39 90 | R | Ställ | Rumpf | Frog | Sep |
| 2 | 1859 46 09 09 | L | Spets | Scharspitze | Share point | Pointe |
| | 1859 46 08 09 | R | Spets | Scharspitze | Share point | Pointe |
| 3 | 1859 60 95 09 | L | Landsida | Landseite | Landside | Contre-sep |
| | 1859 60 94 09 | R | Landsida | Landseite | Landside | Contre-sep |
| 4 | 1859 60 91 09 | 16" L | Skär | Schar | Share | Soc |
| | 1859 60 90 09 | 16" R | Skär | Schar | Share | Soc |
| | 1859 60 93 09 | 18" L | Skär | Schar | Share | Soc |
| | 1859 60 92 09 | 18" R | Skär | Schar | Share | Soc |
| 5 | 1859 60 85 99 | XU/L | Vändskiva | Streichblech | Mouldboard | Versoir |
| | 1859 60 84 99 | XU/R | Vändskiva | Streichblech | Mouldboard | Versoir |
| 6 | 1859 60 87 09 | L | Vändskivebröst | Streichblechbrust | Mouldboard shin | Epaulement de versoir |
| | 1859 60 86 09 | R | Vändskivebröst | Streichblechbrust | Mouldboard shin | Epaulement de versoir |
| 7 | 1859 61 04 90 | | Stötta | Haltestrebe | Support stay | Renfort de versoir |
| 8 | 1859 46 13 09 | L | Fäste | Halter | Bracket plate | Plaque de serrage |
| | 1859 46 12 09 | R | Fäste | Halter | Bracket plate | Plaque de serrage |
| 9 | 1859 42 89 09 | | Slitplatta kompl | Verschleißplatte kompl | Wearing plate compl | Plaque d'usure cpl |
| 10 | 1859 46 23 99 | L | Knivrist | Anlagensech | Fin coufter | Coutre aileron |
| | 1859 46 22 99 | R | Knivrist | Anlagensech | Fin coufter | Coutre aileron |
| 11 | 1858 54 62 50 | XU/L | Tiltvinge kompl | Streichschiene kompl | Mouldboard extens. compl | Rallonge de versoir cpl |
| | 1858 54 61 50 | XU/R | Tiltvinge kompl | Streichschiene kompl | Mouldboard extens. compl | Rallonge de versoir cpl |
| 12 | 1850 36 12 21 | MFBKF 12x29 | Skruv | Schraube | Bolt | Vis |
| 13 | 1850 36 02 57 | MFBK 20x60 | Skruv | Schraube | Bolt | Vis |
| 15 | 1850 36 13 03 | M6M 12x1,25 | Mutter | Mutter | Nut | Ecrou |
| 16 | 1850 36 04 07 | M6M 20 | Mutter | Mutter | Nut | Ecrou |
| 17 | 1850 36 02 23 | MFBK 12x40 | Skruv | Schraube | Bolt | Vis |
| 18 | 1858 05 59 50 | XU/L | Tiltvinge | Streichschiene | Mouldboard extens. | Rallonge de versoir |
| | 1857 49 22 50 | XU/R | Tiltvinge | Streichschiene | Mouldboard extens. | Rallonge de versoir |
| 19 | 734 11 76 01 | BRB 13x24 | Bricka | Scheibe | Washer | Rondelle |
| 20 | 1859 46 15 90 | | Stötvinkel | Halter | Bracket | Support |
| 21 | 731 23 24 01 | M6M 18 | Mutter | Mutter | Nut | Ecrou |
| 22 | 1850 36 02 33 | MFBK 16x40 | Skruv | Schraube | Bolt | Vis |
| 28 | 1850 36 04 03 | M6M 12 | Mutter | Mutter | Nut | Ecrou |
| 30 | 1850 36 12 24 | MFBKF 12x45 | Skruv | Schraube | Bolt | Vis |
| 31 | 1852 42 82 50 | L | Vinkelslötta | Halter | Bracket | Support |
| | 1852 42 60 50 | R | Vinkelslötta | Halter | Bracket | Support |



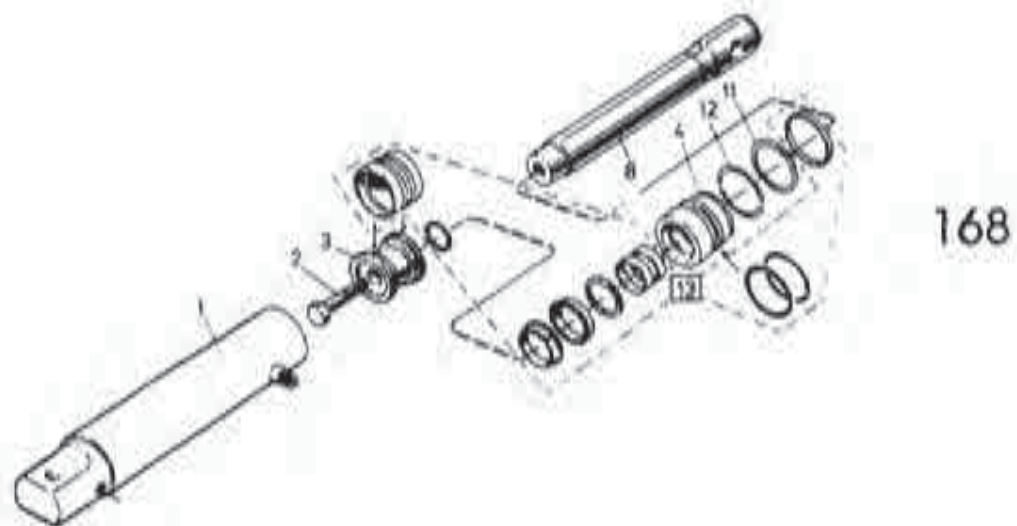
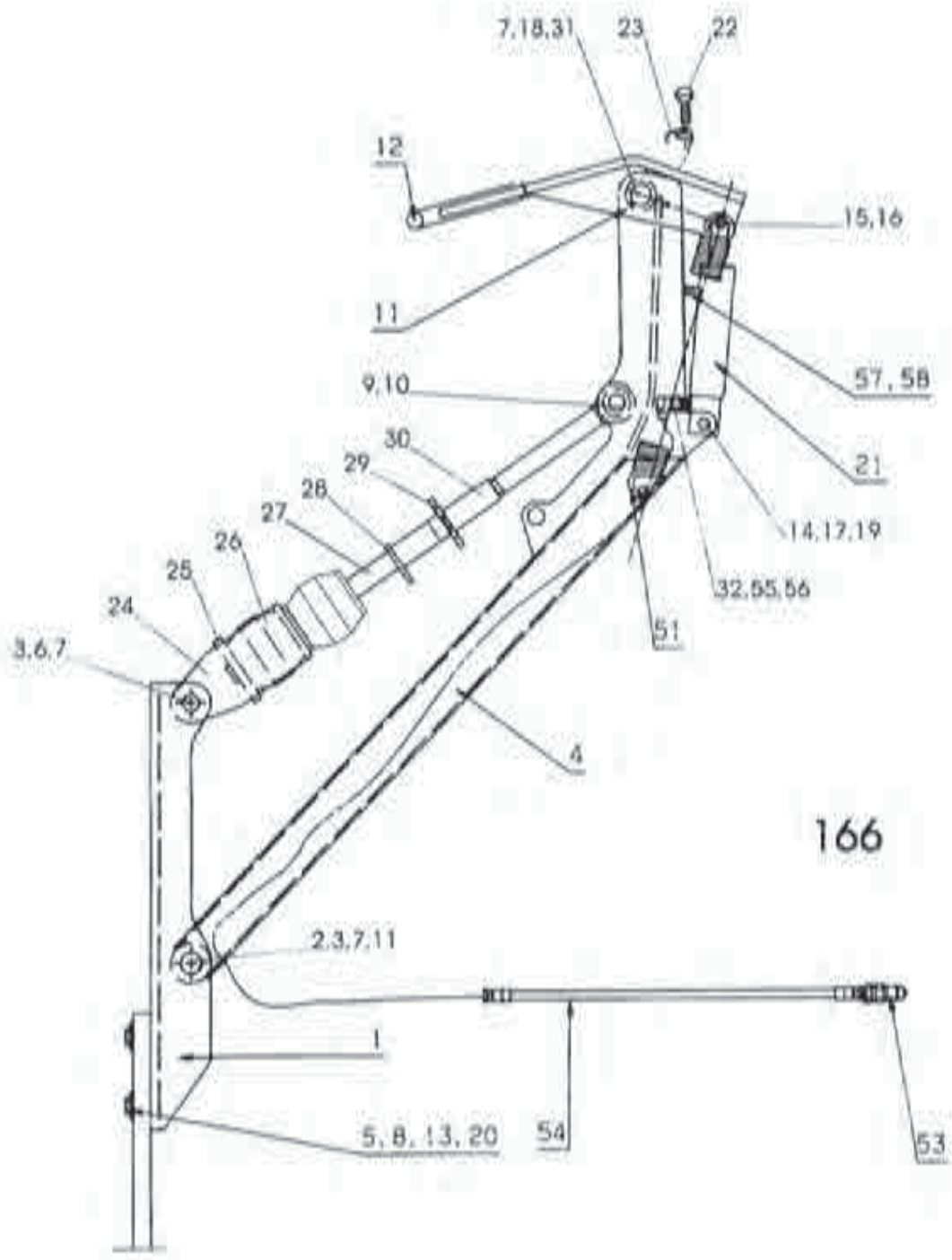
16d

| Pos nr Pos.Nr Ref.No Fig.N° | Detalj nr Best.Nr Part No Code N° | | Benämning | Bezeichnung | Description | Description |
|--------------------------------------|--------------------------------------------|-------------|---------------------|----------------------------|-----------------------------|----------------------------|
| 16d | | UC | PLOGKROPP | PFLUGKÖRPER | PLOUGH BOTTOMS | CORPS DE CHARRUE |
| | | R= | Höger | Rechts | Right | Droite |
| | | L= | Vänster | Links | Left | Gauche |
| 1 | 1658 40 91 90 | L | Ställ | Rumpf | Frog | Sep |
| | 1658 40 93 90 | R | Ställ | Rumpf | Frog | Sep |
| 2 | 1659 22 07 09 | L (85 143) | Spets | Scharspitze | Share point | Pointe |
| | 1659 22 06 09 | R (84 060) | Spets | Scharspitze | Share point | Pointe |
| 3 | 1658 51 98 09 | L | Landsida kort | Landside kurz | Landside short | Centre-sep court |
| | 1658 39 81 09 | R | Landsida kort | Landside kurz | Landside short | Centre-sep court |
| 4 | 1659 42 87 09 | L | Landsida lång | Landside lang | Landside long | Centre-sep long |
| | 1659 42 86 09 | R | Landsida lång | Landside lang | Landside long | Centre-sep long |
| 5 | 1658 51 93 09 | 12° L | Skär | Schar | Share | Soc |
| | 1658 50 03 09 | 12° R | Skär | Schar | Share | Soc |
| | 1658 51 94 09 | 14° L | Skär | Schar | Share | Soc |
| | 1658 50 04 09 | 14° R | Skär | Schar | Share | Soc |
| | 1658 51 95 09 | 16° L | Skär | Schar | Share | Soc |
| | 1658 50 39 09 | 16° R | Skär | Schar | Share | Soc |
| 6 | 1658 40 87 99 | UC/L | Vändskiva | Streichblech | Mouldboard | Versoir |
| | 1658 40 31 99 | UC/R | Vändskiva | Streichblech | Mouldboard | Versoir |
| 7 | 1658 40 82 09 | L | Vändskivebröst | Streichblechbrust | Mouldboard shin | Epaulement de versoir |
| | 1658 40 33 09 | R | Vändskivebröst | Streichblechbrust | Mouldboard shin | Epaulement de versoir |
| 8 | 1658 60 06 90 | UC | Stötta | Halfestrebe | Support stay | Renfort de versoir |
| 9 | 1658 51 01 09 | L | Fäste | Halter | Bracket plate | Plaque de serrage |
| | 1658 49 58 09 | R | Fäste | Halter | Bracket plate | Plaque de serrage |
| 11 | 1659 42 89 09 | | Siltplatta kompl | Verschleissplatte kompl | Wearing plate compl | Plaque d'usure cpl |
| 12 | 1659 42 89 09 | | Siltplatta | Verschleissplatte | Wearing plate | Plaque d'usure |
| 14 | 1658 54 62 59 | V/L | Tiltvinge kompl | Streichschiene kompl | Mouldboard extens. compl | Railonge de versoir cpl |
| | 1658 54 61 59 | V/R | Tiltvinge kompl | Streichschiene kompl | Mouldboard extens. compl | Railonge de versoir cpl |
| 16 | 1650 36 02 21 | MFBK 12x28 | Skruv | Schraube | Bolt | Vis |
| 17 | 1650 36 02 22 | MFBK 12x35 | Skruv | Schraube | Bolt | Vis |
| 18 | 1650 36 02 23 | MFBK 12x40 | Skruv | Schraube | Bolt | Vis |
| 19 | 1650 36 12 24 | MFBKF 12x46 | Skruv | Schraube | Bolt | Vis |
| 20 | 1650 36 13 03 | M6M 12x1,25 | Mutter | Mutter | Nut | Ecrou |
| 22 | 1650 36 02 57 | MFBK 20x60 | Skruv | Schraube | Bolt | Vis |
| 23 | 1650 36 02 58 | MFBK 20x75 | Skruv | Schraube | Bolt | Vis |
| 24 | 731 23 22 01 | M6M 12 | Mutter | Mutter | Nut | Ecrou |
| 26 | 1650 36 04 07 | M6M 20 | Mutter | Mutter | Nut | Ecrou |
| 32 | 1657 49 22 50 | V/R | Tiltvinge | Streichschiene | Mouldboard extens | Railonge de versoir |
| | 1658 05 59 50 | V/L | Tiltvinge | Streichschiene | Mouldboard extens. | Railonge de versoir |
| 33 | 734 11 78 01 | BRB 13x24 | Bricka | Scheibe | Washer | Rondelle |
| 34 | 1658 06 21 00 | | Bricka | Scheibe | Washer | Rondelle |
| 35 | 1659 46 22 09 | R | Knivrist kompl | Anlagensech kompl | Fin coultar compl | Coutre aileron cpl |
| | 1659 46 23 09 | L | Knivrist kompl | Anlagensech kompl | Fin coultar compl | Coutre aileron cpl |

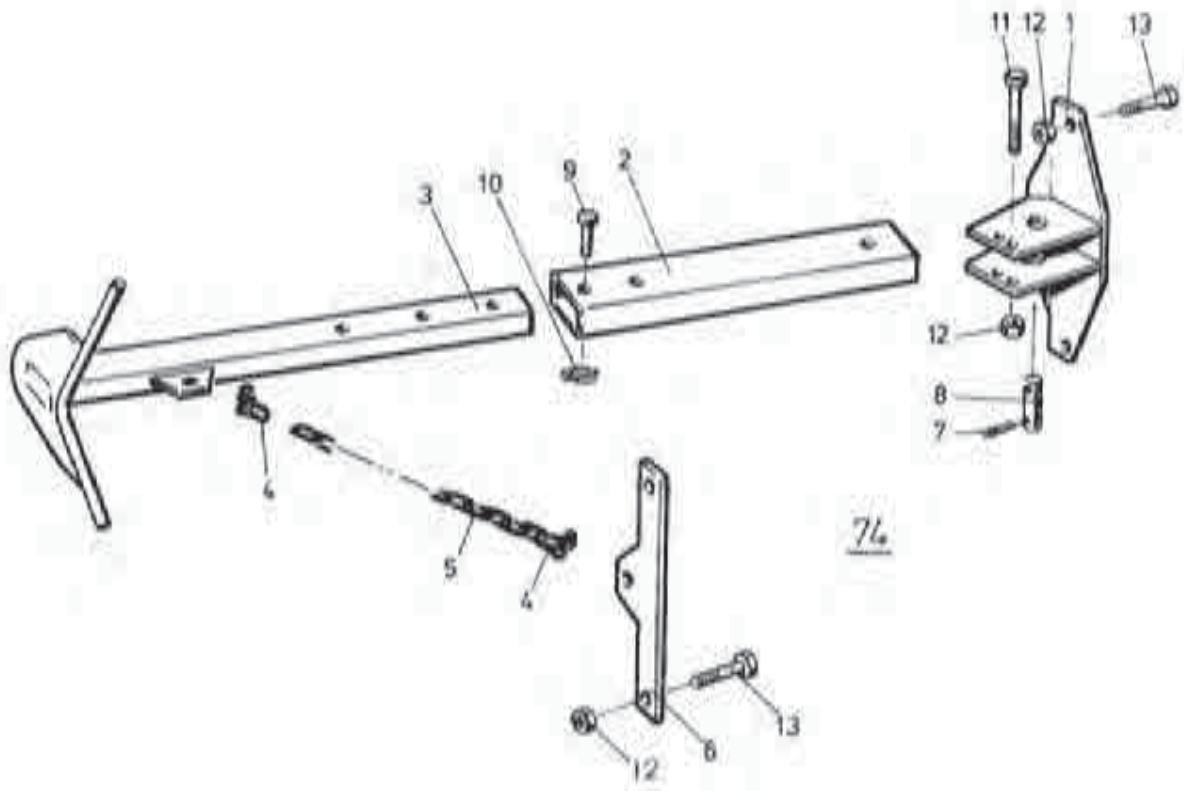


290

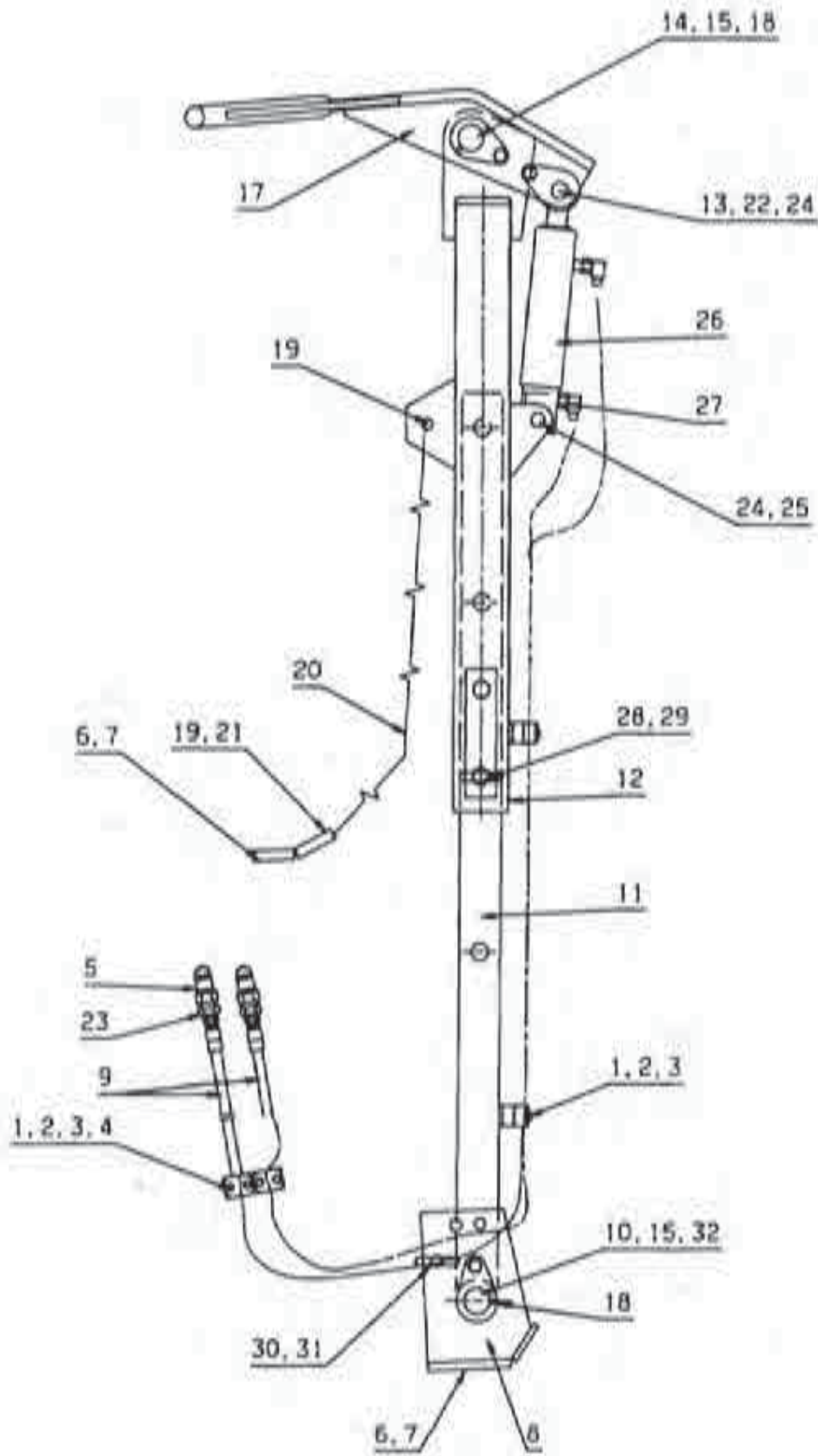
| Pos nr Pos.Nr Ref.No Fig.N°. | Detail nr Best.Nr Part No Code N°. | | Benämning | Bezeichnung | Description | Description |
|---------------------------------------|---------------------------------------------|-------------|-------------------------------|----------------------------------|--------------------------------|-----------------------------|
| 290 | | X5 | PLOGKROPP | PFLUGKÖRPER | PLOUGH BOTTOMS | CORPS DE CHARRUE |
| | | R= | Höger | Rechts | Right | Droite |
| | | L= | Vänster | Links | Left | Gauche |
| 1 | 1052 10 20 00 | L | Ställ | Rumpf | Frog | Sep |
| | 1052 10 19 00 | R | Ställ | Rumpf | Frog | Sep |
| 2 | 1050 40 09 09 | L | Spets | Scherspitze | Share point | Pointe |
| | 1050 40 08 09 | R | Spets | Scherspitze | Share point | Pointe |
| 3 | 1050 62 73 09 | L | Spets nedsänkt | Scherspitze | Share point | Pointe |
| | 1050 62 72 09 | R | Spets nedsänkt | Scherspitze | Share point | Pointe |
| 4 | 1050 60 95 09 | L | Landsida | Landseite | Landside | Contre-sep |
| | 1050 60 94 09 | R | Landsida | Landseite | Landside | Contre-sep |
| 5 | 1050 60 91 09 | 16" L | Skär | Schar | Share | Soc |
| | 1050 60 90 09 | 16" R | Skär | Schar | Share | Soc |
| | 1050 60 93 09 | 18" L | Skär | Schar | Share | Soc |
| | 1050 60 92 09 | 18" R | Skär | Schar | Share | Soc |
| 6 | 1052 02 77 99 | X5L | Vändskiva (Pos.nr A,B,C,D) | Streichblech (Pos.Nr A,B,C,D) | Mouldboard (Ref.No A,B,C,D) | Versoir (Fig.No A,B,C,D) |
| | 1052 02 48 99 | X5/R | Vändskiva (Pos.nr A,B,C,D) | Streichblech (Pos.Nr A,B,C,D) | Mouldboard (Ref.No A,B,C,D) | Versoir (Fig.No A,B,C,D) |
| A | 1052 02 49 99 | R | Stimia A | Streifen A | Stripe A | Bande A |
| | 1052 08 94 99 | L | Stimia A | Streifen A | Stripe A | Bande A |
| B | 1052 02 50 99 | R | Stimia B | Streifen B | Stripe B | Bande B |
| | 1052 08 95 99 | L | Stimia B | Streifen B | Stripe B | Bande B |
| C | 1052 02 51 99 | R | Stimia C | Streifen C | Stripe C | Bande C |
| | 1052 08 96 99 | L | Stimia C | Streifen C | Stripe C | Bande C |
| D | 1052 02 52 99 | R | Stimia D | Streifen D | Stripe D | Bande D |
| | 1052 08 97 99 | L | Stimia D | Streifen D | Stripe D | Bande D |
| 7 | 1052 15 09 09 | L | Vändskivebröst | Streichblechbrust | Mouldboard shin | Epaulement de versoir |
| | 1052 14 70 09 | R | Vändskivebröst | Streichblechbrust | Mouldboard shin | Epaulement de versoir |
| 8 | 1050 61 04 90 | | Stötte | Haltestrebe | Support stay | Renfort de versoir |
| 9 | 1050 40 13 09 | L | Fäste | Halter | Bracket plate | Plaque de serrage |
| | 1050 40 12 09 | R | Fäste | Halter | Bracket plate | Plaque de serrage |
| 10 | 1050 42 89 09 | | Slitplatta kompl | Verschleißplatte kompl. | Wearing plate compl. | Plaque d'usure opt |
| 11 | 1050 46 23 99 | L | Knivst | Anlagensech | Fin couler | Coutre aileron |
| | 1050 46 22 99 | R | Knivst | Anlagensech | Fin couler | Coutre aileron |
| 12 | 1052 02 68 50 | R | Brygga | Brücke | Bridge | Pont |
| | 1052 02 78 50 | L | Brygga | Brücke | Bridge | Pont |
| 13 | 1050 36 12 21 | MFBKF 12x20 | Skruv | Schraube | Bolt | Vis |
| 14 | 1050 36 02 57 | MFBK 20x60 | Skruv | Schraube | Bolt | Vis |
| 15 | 1050 36 13 03 | M6M 12x1,25 | Mutter | Mutter | Nut | Ecrou |
| 16 | 731 23 26 01 | M6M 20 | Mutter | Mutter | Nut | Ecrou |
| 17 | 731 23 24 01 | M6M 16 | Mutter | Mutter | Nut | Ecrou |
| 18 | 1050 36 02 33 | MFBK 16x40 | Skruv | Schraube | Bolt | Vis |
| 19 | 1050 36 12 24 | MFBKF 12x45 | Skruv | Schraube | Bolt | Vis |



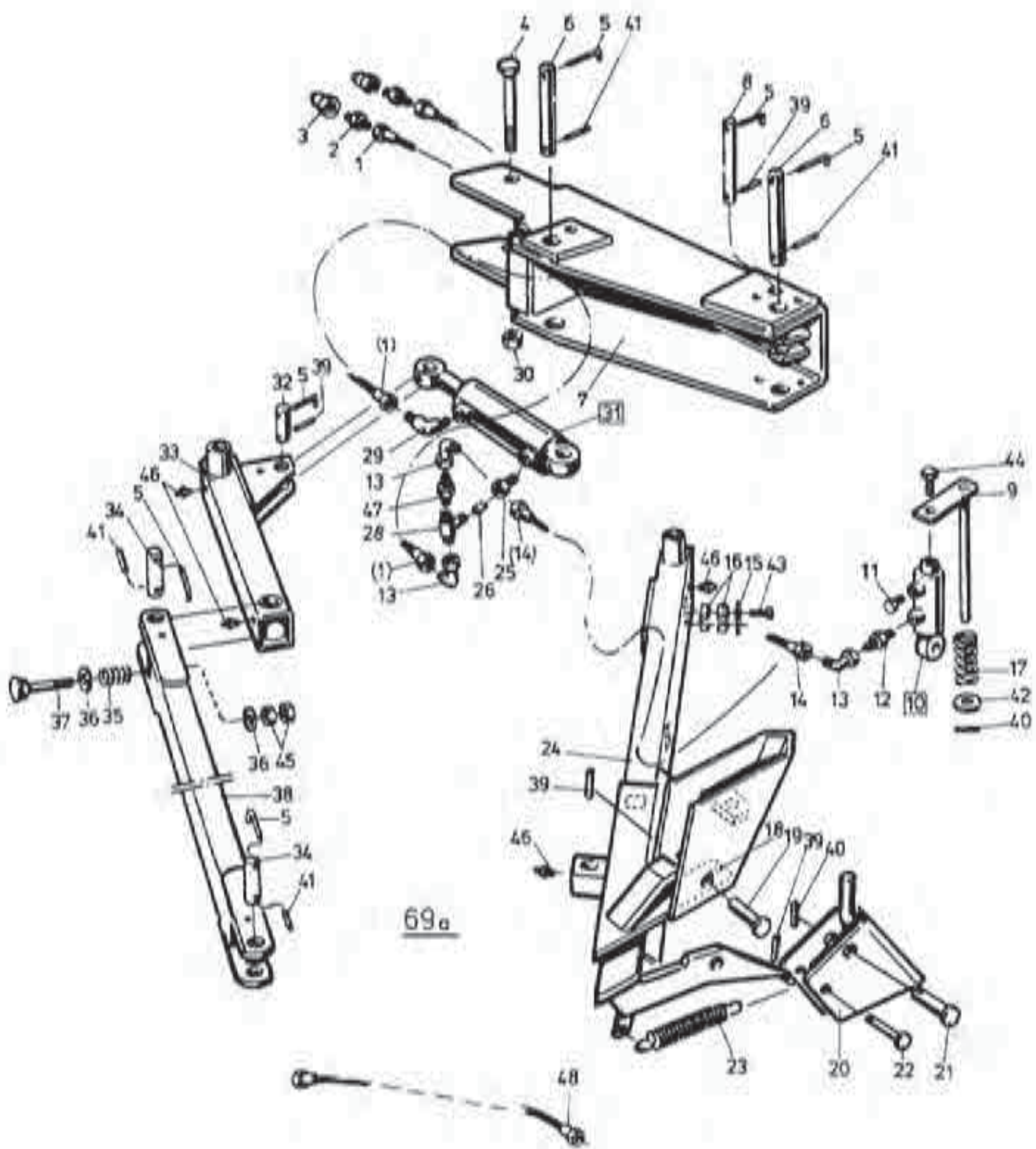
| Pos nr Pos.Nr Ref.No Fig.N° | Detalj nr Best.Nr Part No Code N° | Benämning | Bezeichnung | Description | Description |
|--------------------------------------|--------------------------------------------|------------------------------|----------------------|----------------------|--------------------------|
| 100 | CX,DX | PACKERARM | PACKERARM | PLOUGH ARM | BARRE DE TRACTION |
| | 1650 01 20 51 | Dragarm | Zugarm | Draw arm | Barre de traction |
| 1 | 1650 00 79 00 | Hållare | Haltearm | Bracket | Support fixation |
| 2 | 1650 05 08 00 | Cylindrisk bull | Bolzen | Pivot pin | Cheville |
| 3 | 721 43 84 01 | FRP 6x45 Rörpinne | Hohlstift | Tension pin | Goupille cannelée |
| 4 | 1650 04 38 50 | Dragstång | Zugstange | Draw rod | Barre d'attelage |
| 5 | 1658 04 33 00 | BRB 17x50 Bricka | Scheibe | Washer | Rondelle |
| 6 | 1650 05 30 00 | Cylindrisk bull | Bolzen | Pivot pin | Cheville |
| 7 | 725 25 32 51 | M6S 12x20 Skruv | Schraube | Bolt | Vis |
| 8 | 725 26 36 81 | M6S 16x80 Skruv | Schraube | Bolt | Vis |
| 9 | 1650 04 44 00 | ø30 Tapp | Zylinderbolzen | Pivot pin | Axe |
| 10 | 1650 50 05 00 | Snabblås | Klappspänt | Linch pin | Goupille |
| 11 | 738 88 20 03 | AM 8x1,25 Smörgrippl | Schmierippel | Grease nipple | Graisseur |
| 12 | 1650 50 46 50 | Klapp | Falle | Catch | Loquet |
| 13 | 1650 36 04 05 | M6M 10 Mutter | Mutter | Nut | Ecrou |
| 14 | 1657 32 24 01 | Cyl bull | Zylinderbolzen | Pivot pin | Cheville |
| 15 | 1650 50 99 00 | Distans | Distanz | Spacing | Entretoise |
| 16 | 1650 70 05 00 | Cylindrisk bull | Bolzen | Pivot pin | Cheville |
| 17 | 721 42 62 01 | FRP 4x32 Rörpinne | Hohlstift | Tension pin | Goupille cannelée |
| 18 | 1650 70 07 00 | Axeltapp | Welle | Axle | Axe |
| 19 | 1658 35 07 00 | Bricka | Scheibe | Washer | Rondelle |
| 20 | 1658 62 40 08 | FRP 20x40 Rörpinne | Hohlstift | Tension pin | Goupille cannelée |
| 21 | 1650 26 28 50 | Picture 168 Hydr cylinder | Hydr.Zylinder | Hydr.cylinder | Vérin cpl |
| 22 | 1650 50 93 00 | Skruv | Schraube | Bolt | Vis |
| 23 | 1650 57 79 00 | Frktionståder | Reibungsfeder | Friction spring | Ressort de friction |
| 24 | 1650 50 28 50 | Hållare | Haltearm | Bracket | Support fixation |
| 25 | 1650 50 26 00 | Platta | Platte | Plate | Plaque |
| 26 | 1657 30 93 00 | Gummifåder | Gummifeder | Rubber spring | Ressort en |
| 27 | 1650 04 40 50 | Dragstag | Zugstange | Draw rod | Barre d'attelage |
| 28 | 1650 12 38 00 | Låsarm | Kontammutter | Locking nut | Ecrou de verrouillage |
| 29 | 1650 12 41 00 | Hylsa | Hülse | Sleeve | Manchon |
| 30 | 1650 30 38 02 | Öglebull | Gelenkkopf | Link head | Tête |
| 31 | 734 11 78 01 | BRB 13x24 Bricka | Scheibe | Washer | Rondelle |
| 32 | 1651 20 83 01 | Tätningbricka | Dichtungsscheibe | Sealing washer | Rondelle d'étanchéité |
| 51 | 1658 22 83 50 | Dragfåder | Feder | Spring | Ressort |
| 53 | 1657 48 14 00 | Handel | Schnellkupplung M | Quick coupling M | Raccord rapide M |
| 54 | 1652 15 85 00 | L=4900 3/8-1/2 Slang | Schlauch | Hose | Tuyau flexible |
| 55 | 1650 29 30 00 | L-adapt | Winkel-Stück | Elbow union | Raccord angle |
| 56 | 1650 35 74 00 | Adept | Verbindungsstück | Union | Raccord |
| 57 | 1650 18 14 00 | Filterpropp | Filter | Filter | Filter |
| 58 | 1650 03 42 00 | Adept | Verbindungsstück | Union | Raccord |
| 100 | | HYDR CYLINDER | HYDR.ZYLINDER | HYDR.CYLINDER | VÉRIN CPL. |
| | 1650 26 28 50 | 320-480 ø50 Hydr cylinder | Hydr.Zylinder | Hydr.cylinder | Vérin cpl |
| 1 | 1650 26 31 50 | Cylindernör | Zylindermantel | Cylinder jacket | Corps de cylindre |
| 2 | 725 26 28 51 | M6S 16x40 Skruv | Schraube | Bolt | Vis |
| 3 | 1658 55 06 00 | Kolv | Kolben | Piston | Piston |
| 4 | 1650 13 31 00 | Styring | Führung | Guide | Guidage |
| 8 | 1650 26 36 00 | Kolvstång | Kolbenstange | Piston rod | Tige de piston |
| 11 | 1658 40 48 00 | Späring | Sicherungsring | Circlip | Circlips |
| 12 | 1658 40 52 00 | Låsring | Kopfling | Lock ring | Bague d'arrêt |
| 13 | 1650 26 38 00 | Packningsatts | Packungsgarnitur | Set of seals | Jeu de joints |



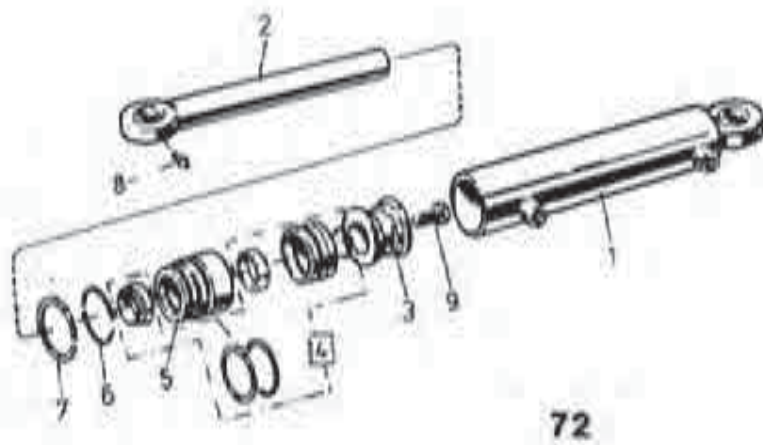
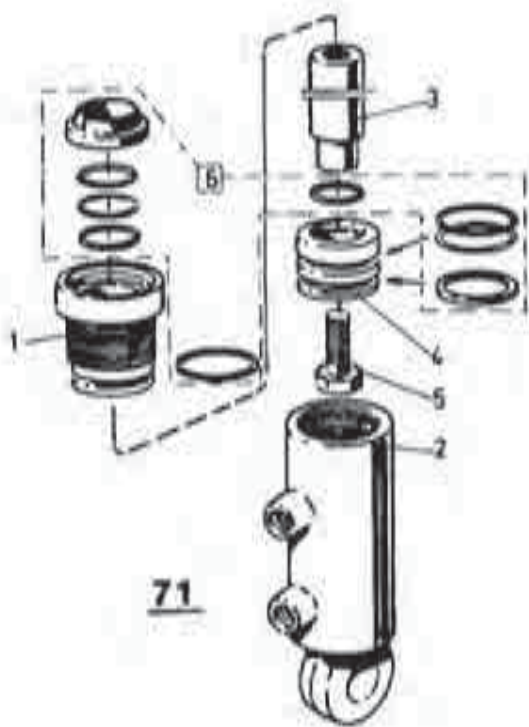
| Pos nr Pos.Nr Ref.No Fig.N°. | Detail nr Best.Nr Part No Code N°. | | Benämning | Bezeichnung | Description | Description |
|---------------------------------------|---------------------------------------------|------------------|--------------------|--------------------|---------------------|--------------------------|
| 74 | | BX-F,CX-F | PACKERARM | PACKERARM | PLOUGH ARM | BARRE DE TRACTION |
| | 1658 95 89 50 | | Packerarm kompl | Packerarm kompl | Plough arm compl | Barre de traction cpl |
| 1 | 1658 95 90 50 | | Fäste | Halter | Bracket | Support |
| 2 | 1658 96 87 50 | | Rör | Rohr | Tube | Tuyau |
| 3 | 1658 95 95 50 | | Arm | Arm | Arm | Bras |
| 4 | 1658 96 86 00 | | Schackel | Schäkel | Shackle | Anneau d'accoup |
| 5 | 1658 95 99 00 | | Kätting | Kette | Chain | Chaîne |
| 6 | 1658 96 00 50 | | Fäste | Halter | Bracket | Support |
| 7 | 721 43 47 01 | FRP 6x40 | Rörpinne | Hohistift | Tension pin | Goupille cannelée |
| 8 | 1658 96 02 00 | | Tapp | Zapfen | Axe | Axe |
| 9 | 1658 67 19 00 | | Tapp | Zapfen | Axe | Axe |
| 10 | 1658 50 05 00 | | Snabbåls | Klappsplint | Linch pin | Goupille |
| 11 | 725 26 44 51 | M6S 16x120 | Skruv | Schraube | Bolt | Vis |
| 12 | 731 23 24 01 | M6M 16 | Mutter | Mutter | Nut | Ecrou |
| 13 | 725 26 38 51 | M6S 16x90 | Skruv | Schraube | Bolt | Vis |



| Pos nr Pos.Nr Ref.No Fig.N° | Detail nr Best.Nr Part No Code N° | Benämning | Bezeichnung | Description | Description | |
|--------------------------------------|--------------------------------------------|---------------------------|------------------|------------------|-------------------|------------------------------|
| 188 | | BX-F,CX-F DX-F | PACKERARM | PACKERARM | PLOUGH ARM | BARRE DE TRACTION |
| 1 | 1059 02 75 50 | Packerarm | Packerarm | Plough arm | Barre de traction | |
| 2 | 1059 42 00 00 | Klammerhalvor | Klammer | Clamps | Colliers | |
| 3 | 1059 12 05 00 | Täckplatta | Platte | Covering plate | Plaque couvercle | |
| 4 | 725 23 76 51 | M6S 6x35 | Skruv | Schraube | Bolt | |
| 5 | 1059 17 01 00 | Platta | Platte | Plate | Plaque | |
| 6 | 1057 48 14 00 | Snabbkoppling | Schnellkupplung | Quick coupler | Raccord rapide | |
| 8 | 725 26 38 51 | M6S 18x90 | Skruv | Schraube | Bolt | |
| 7 | 731 23 24 01 | M6M 10 | Mutter | Mutter | Nut | |
| 8 | 1059 03 13 50 | Fäste | Halter | Bracket | Support | |
| 9 | 1051 46 35 00 | L=6800 1/4-1/4 | Slang | Schlauch | Hose | |
| 10 | 1059 05 08 00 | Axeltapp | Zapfen | Axle | Axe | |
| 11 | 1059 05 04 50 | Rör | Rohr | Tube | Tuyau | |
| 12 | 1059 02 78 50 | Arm | Arm | Arm | Bras | |
| 13 | 1059 03 18 00 | Cyl.bult | Zylinderbolzen | Pivot pin | Cheville | |
| 14 | 1059 59 61 00 | Axeltapp | Zapfen | Axle | Axe | |
| 15 | 721 44 21 00 | FRP 10x60 | Rörpinne | Hohlstift | Tension pin | |
| 16 | 1059 09 30 00 | Lästapp | Zylinderbolzen | Pivot pin | Goupille cannelée | |
| 17 | 1059 59 46 50 | Kläpp | Falle | Catch | Loquet | |
| 18 | 738 88 10 01 | AH M6 | Smörrippel | Schmierippel | Grease nipple | |
| 19 | 1058 98 86 00 | Schackel | Schäkel | Shackle | Anneau d'accoupl | |
| 20 | 1058 95 99 00 | Kätting | Kette | Chain | Chaîne | |
| 21 | 1058 96 00 00 | Fäste | Halter | Bracket | Support | |
| 22 | 1059 59 99 00 | Distans | Distanz | Spacer | Entretoise | |
| 23 | 1057 72 31 00 | Adapt | Verbindungsstück | Union | Raccord | |
| 24 | 721 42 02 01 | FRP 4x32 | Rörpinne | Hohlstift | Tension pin | |
| 25 | 1057 23 99 01 | Cyl.bult | Zylinderbolzen | Pivot pin | Cheville | |
| 26 | 1059 26 28 50 | Page 61 | Hydr.zylinder | Hydr.cylinder | Vérin | |
| 27 | 1057 90 31 00 | Adapt | Verbindungsstück | Union | Raccord | |
| 28 | 1059 05 09 00 | Tapp | Zylinderbolzen | Pivot pin | Axe | |
| 29 | 1058 50 05 00 | Snabbblås | Klappspint | Linch pin | Goupille | |
| 30 | 1059 05 12 00 | Tapp | Zylinderbolzen | Pivot pin | Axe | |
| 31 | 1058 57 03 00 | Lås fjäder | Klemmfeder | Locking spring | Goupille cavalier | |
| 32 | 725 25 32 51 | M6S 12x20 | Skruv | Schraube | Bolt | |



| Poa nr Pos.Nr Ref.No Fig.N°. | Detail nr Best.Nr Part No Code N°. | Benämning | Bezeichnung | Description | Description | |
|---------------------------------------|---------------------------------------------|----------------|------------------|-------------------|--------------------|---------------------------------|
| 00a | | BX-H,CX-H | PACKERARM | PACKERARM | PLOUGH ARM | BARRE DE TRACTION |
| | 1050 21 15 51 | | Dragarm kompl | Zugarm kompl. | Draw arm compl. | Barre de traction cpl |
| 1 | 1050 05 08 00 | L=2000 1/4-1/4 | Slang | Schlauch | Hose | Tuyau flexible |
| 2 | 1057 72 31 00 | | Adapt | Verbindungsstück | Union | Raccord |
| 3 | 1057 48 14 00 | | Handel | Schnellkupplung M | Quick coupling M | Raccord rapide M |
| 4 | 1050 05 31 00 | M05 20x200 | Skruv | Schraube | Bolt | Vis |
| 5 | 1050 09 30 00 | | Låstapp | Haltestift | Axle locking pin | Goupille d'arrêt |
| 6 | 1050 21 17 00 | | Tapp | Zapfen | Pivot pin | Axe |
| 7 | 1050 21 16 50 | | Packerarmsfäste | Konsole | Main bracket | Support de barre de traction |
| 8 | 1050 21 16 00 | | Tapp | Zapfen | Pivot pin | Axe |
| 9 | 1050 16 74 50 | | Styrtapp | Führungszapfen | Guide pin | Axe de guidage |
| 10 | 1050 18 13 50 | Page 69 | Hydr cylinder | Hydr.Zylinder | Hydr.cylinder | Vérin |
| 11 | 1050 18 14 00 | | Filterpropp | Filter | Filter | Filtere |
| 12 | 1057 00 31 00 | | Adapt | Verbindungsstück | Union | Raccord |
| 13 | 1050 05 36 00 | | L-adapt | Winkel-Stück | Elbow union | Raccord angle |
| 14 | 1050 06 16 00 | L=1200 1/4-1/4 | Slang | Schlauch | Hose | Tuyau flexible |
| 15 | 1050 12 05 00 | | Täckplatta | Deckblech | Covering plate | Plaque couvrole |
| 16 | 1050 42 90 00 | | Klammerhalvor | Klammer | Clamps | Colliers |
| 17 | 1050 18 12 50 | | Fjäder | Zugfeder | Spring | Ressort |
| 18 | 1050 02 40 01 | | Fj rörhylsa | Federhülse | Spring sleeve | Ressort |
| 19 | 1057 33 01 01 | | Cyl bull | Zylinderbolzen | Pivot pin | Cheville |
| 20 | 1050 13 80 50 | | Utlösningskläpp | Auslösehaken | Release hook | Déclencheur |
| 21 | 1050 12 09 00 | | Cyl bull | Zylinderbolzen | Pivot pin | Cheville |
| 22 | 1050 12 02 00 | | Cyl bull | Zylinderbolzen | Pivot pin | Cheville |
| 23 | 1050 12 03 50 | | Fjäder | Zugfeder | Spring | Ressort |
| 24 | 1050 21 08 50 | | Dragarm | Zugarm | Draw arm | Barre de traction |
| 25 | 1050 33 01 00 | | Adapt | Verbindungsstück | Union | Raccord |
| 26 | 1050 17 74 00 | | Strypskruv | Drosselschraube | Throttle screw | Vis d'étranglement |
| 28 | 1050 14 51 00 | | T-adapt | T-Stück | T-union | Raccord en T |
| 29 | 1057 72 21 00 | | L-adapt | Winkel-Stück | Elbow union | Raccord angle |
| 30 | 1060 30 07 07 | M0M 20 | Mutter | Mutter | Nut | Ecrou |
| 31 | 1050 43 70 50 | Page 69 | Hydr cylinder | Hydr.Zylinder | Hydr.cylinder | Vérin |
| 32 | 1050 21 13 00 | | Tapp | Zylinderbolzen | Pivot pin | Axe |
| 33 | 1050 21 05 50 | | Knäledsarm | Gelenkarm | Link arm | Bras de commande |
| 34 | 1050 21 14 00 | | Tapp | Zylinderbolzen | Pivot pin | Axe |
| 35 | 1050 11 17 50 | | Fjäder | Zugfeder | Spring | Ressort |
| 36 | 1050 35 07 00 | | Bricka | Scheibe | Washer | Rondelle |
| 37 | 1050 05 10 00 | | Skruv | Schraube | Bolt | Vis |
| 38 | 1050 21 09 50 | | Ledarm | Gelenkarm | Link arm | Bras de commande |
| 39 | 721 42 02 01 | FRP 4x32 | Rörpinne | Hohlstift | Tension pin | Goupille cannelée |
| 40 | 721 43 47 01 | FRP 6x40 | Rörpinne | Hohlstift | Tension pin | Goupille cannelée |
| 41 | 721 43 49 01 | FRP 6x50 | Rörpinne | Hohlstift | Tension pin | Goupille cannelée |
| 42 | 734 11 06 01 | BRB 17x30 | Bricka | Scheibe | Washer | Rondelle |
| 43 | 725 23 76 51 | M05 0x36 | Skruv | Schraube | Bolt | Vis |
| 44 | 725 25 32 51 | M05 12x20 | Skruv | Schraube | Bolt | Vis |
| 45 | 731 23 28 01 | M0M 20 | Mutter | Mutter | Nut | Ecrou |
| 46 | 736 88 10 01 | AH M0 | Smörnippe | Schmiernippe | Grease nipple | Graisseur |
| 47 | 1050 22 20 00 | | Adapt | Verbindungsstück | Union | Raccord |
| 48 | 1050 49 10 00 | L=1500 1/2-1/2 | Slang | Schlauch | Hose | Tuyau flexible |



| Pos nr Pos.Nr Ref.No Fig.N° | Detail nr Best.Nr Part No Code N° | | Benämning | Bezeichnung | Description | Description |
|--------------------------------------|--------------------------------------------|-------------|--------------------------|---------------------------|---------------------------|----------------|
| 71 | | | HYDR CYLINDER | HYDR. ZYLINDER | HYDR. CYLINDER | VERIN |
| | 1659 18 13 50 | 134-159 ø25 | Hydr cylinder kompl | Hydr.Zylinder kompl. | Hydr.cylinder compl. | Vérin cpl. |
| 1 | 1659 31 04 00 | | Styrning | Führung | Guide | Guidage |
| 2 | 1659 31 03 50 | | Cylinderrör | Zylindermantel | Cylinder jacket | Corps de vérin |
| 3 | 1659 31 02 00 | | Kolvstäng | Kolbenstange | Piston rod | Tige de piston |
| 4 | 1659 31 01 00 | | Kolv | Kolben | Piston | Piston |
| 5 | 725 24 53 51 | M6S 6x25 | Skruv | Schraube | Bolt | Vis |
| 6 | 1659 29 96 00 | | Packningsatts | Packungsgarnitur | Set of seals | Jeu de joints |
| 72 | | | HYDR CYLINDER | HYDR. ZYLINDER | HYDR. CYLINDER | VERIN |
| | 1659 43 70 50 | 309-377 ø50 | Hydr cylinder kompl | Hydr.Zylinder kompl. | Hydr.cylinder compl. | Vérin cpl. |
| 1 | 1659 43 81 50 | | Cylinderrör | Zylindermantel | Cylinder jacket | Corps de vérin |
| 2 | 1659 43 75 00 | | Kolvstäng | Kolbenstange | Piston rod | Tige de piston |
| 3 | 1658 55 08 00 | | Kolv | Kolben | Piston | Piston |
| 4 | 1658 40 76 00 | | Packningsatts | Packungsgarnitur | Set of seals | Jeu de joints |
| 5 | 1659 43 82 00 | | Styrning | Führung | Guide | Guidage |
| 6 | 1658 40 52 00 | | Låsting | Kopfring | Lock ring | Bague d'arrêt |
| 7 | 1658 40 48 00 | AV 47x1,75 | Låsting | Kopfring | Lock ring | Bague d'arrêt |
| 8 | 738 88 10 01 | AH M6 | Smörnippel | Schmiernippel | Grease nipple | Graisseur |
| 9 | 725 26 28 51 | M6S 16x40 | Skruv | Schraube | Bolt | Vis |

*NUMMER REGISTER*NUMMERNVERZEICHNIS*NUMBER REGISTER*LISTE DE PIECES PAR ORDRE NUMERIQUE*

| Detailj nr Best.Nr Part No Code N°. | Sida Seite Page | Pos.nr Pos.Nr Ref.No. Fig.N°. | Detailj nr Best.Nr Part No Code N°. | Sida Seite Page | Pos.nr Pos.Nr Ref.No. Fig.N°. | Detailj nr Best.Nr Part No Code N°. | Sida Seite Page | Pos.nr Pos.Nr Ref.No. Fig.N°. |
|----------------------------------------------|-----------------------|----------------------------------------|----------------------------------------------|-----------------------|----------------------------------------|----------------------------------------------|-----------------------|----------------------------------------|
| 721 42 62 01 | 39 | 3 | 725 25 43 51 | 43 | 2 | 731 23 20 01 | 59 | 16 |
| 721 42 62 01 | 23a | 14 | 725 25 43 51 | 13 | 19 | 731 23 26 01 | 67 | 45 |
| 721 42 62 01 | 61 | 17 | 725 25 46 51 | 45 | 31 | 731 23 26 01 | 37 | 59 |
| 721 42 62 01 | 65 | 24 | 725 25 46 51 | 15 | 4 | 731 23 26 51 | 23a | 27 |
| 721 42 62 01 | 67 | 39 | 725 25 46 51 | 17 | 22 | 731 23 28 51 | 39 | 10 |
| 721 43 15 01 | 23a | 15 | 725 25 48 81 | 33 | 43 | 731 43 26 01 | 19 | 19 |
| 721 43 18 01 | 23a | 19 | 725 25 50 51 | 31 | 3 | 731 43 26 01 | 45 | 25 |
| 721 43 47 01 | 19 | 3 | 725 25 50 51 | 29 | 5 | 731 43 26 01 | 13 | 26 |
| 721 43 47 01 | 63 | 7 | 725 25 50 51 | 29 | 24 | 731 43 26 01 | 9 | 38 |
| 721 43 47 01 | 35 | 8 | 725 26 22 51 | 13 | 27 | 732 21 18 51 | 17 | 17 |
| 721 43 47 01 | 13 | 20 | 725 26 22 51 | 19 | 30 | 732 21 20 51 | 33 | 41 |
| 721 43 47 01 | 33 | 22 | 725 26 24 51 | 17 | 3 | 732 21 20 51 | 41 | 69 |
| 721 43 47 01 | 23a | 32 | 725 26 24 51 | 45 | 45 | 732 21 22 51 | 15 | 3 |
| 721 43 47 01 | 67 | 40 | 725 26 28 51 | 61a | 2 | 732 21 22 51 | 17 | 25 |
| 721 43 47 01 | 9 | 41 | 725 26 28 51 | 69 | 9 | 732 21 24 51 | 35 | 23 |
| 721 43 49 01 | 43 | 10 | 725 26 28 51 | 41 | 60 | 732 21 24 51 | 51 | 28 |
| 721 43 49 01 | 37 | 40 | 725 26 29 81 | 43 | 6 | 732 21 24 51 | 33 | 32 |
| 721 43 49 01 | 67 | 41 | 725 26 32 81 | 51 | 24 | 732 21 24 51 | 41 | 62 |
| 721 43 50 01 | 27 | 1 | 725 26 33 51 | 41 | 61 | 732 21 26 51 | 9 | 36 |
| 721 43 82 01 | 37 | 34 | 725 26 33 81 | 17 | 7 | 732 21 26 51 | 37 | 44 |
| 721 43 84 01 | 61 | 3 | 725 26 33 81 | 45 | 30 | 732 51 20 30 | 30 | 24 |
| 721 43 84 01 | 45 | 35 | 725 26 36 81 | 23 | 6 | 734 11 73 01 | 39 | 9 |
| 721 43 84 01 | 9 | 42 | 725 26 36 81 | 61 | 8 | 734 11 76 01 | 37 | 4 |
| 721 43 85 01 | 19 | 6 | 725 26 38 51 | 65 | 6 | 734 11 76 01 | 29 | 6 |
| 721 43 85 01 | 23a | 18 | 725 26 38 51 | 63 | 13 | 734 11 76 01 | 31 | 19 |
| 721 43 85 01 | 13 | 23 | 725 26 38 81 | 39 | 37 | 734 11 76 01 | 53 | 19 |
| 721 43 85 01 | 37 | 56 | 725 26 42 51 | 51 | 18 | 734 11 76 01 | 56 | 19 |
| 721 43 85 10 | 27 | 8 | 725 26 44 51 | 63 | 11 | 734 11 76 01 | 45 | 22 |
| 721 43 87 01 | 39 | 30 | 725 26 47 51 | 37 | 46 | 734 11 76 01 | 27 | 30 |
| 721 44 21 00 | 65 | 15 | 725 26 53 81 | 19 | 24 | 734 11 76 01 | 61 | 31 |
| 721 44 23 01 | 9 | 43 | 725 26 53 81 | 11 | 55 | 734 11 76 01 | 57 | 33 |
| 721 44 27 01 | 16 | 7 | 725 26 73 81 | 19 | 35 | 734 11 76 01 | 35 | 61 |
| 721 44 27 01 | 37 | 57 | 725 26 74 51 | 27a | 10 | 734 11 82 01 | 33 | 26 |
| 721 44 65 01 | 37 | 26 | 725 26 74 81 | 23a | 29 | 734 11 86 01 | 35 | 24 |
| 721 46 80 01 | 9 | 44 | 725 26 75 51 | 43 | 13 | 734 11 86 01 | 19 | 32 |
| 721 62 33 01 | 37 | 19 | 725 26 76 51 | 11 | 50 | 734 11 86 01 | 33 | 39 |
| 725 23 76 51 | 66 | 3 | 725 26 88 81 | 9 | 35 | 734 11 86 01 | 39 | 39 |
| 725 23 76 51 | 29 | 23 | 725 26 90 51 | 19 | 18 | 734 11 86 01 | 67 | 42 |
| 725 23 76 51 | 31 | 31 | 725 26 90 51 | 13 | 56 | 734 11 86 01 | 45 | 43 |
| 725 23 76 51 | 67 | 43 | 725 26 90 51 | 11 | 62 | 734 11 86 01 | 11 | 56 |
| 725 23 78 51 | 29 | 4 | 725 27 01 81 | 19 | 37 | 734 11 92 01 | 23a | 17 |
| 725 23 78 51 | 31 | 12 | 725 27 05 81 | 9 | 28 | 734 11 92 01 | 9 | 32 |
| 725 23 79 51 | 29 | 20 | 725 27 36 51 | 37 | 48 | 734 11 92 01 | 39 | 50 |
| 725 23 79 51 | 13 | 55 | 725 53 28 01 | 25 | 12 | 734 11 96 01 | 41 | 73 |
| 725 24 53 51 | 69 | 5 | 725 63 68 01 | 21 | 12 | 734 12 00 01 | 13 | 11 |
| 725 24 61 51 | 17 | 18 | 725 54 63 01 | 3 | 17 | 734 12 00 01 | 23a | 30 |
| 725 24 63 51 | 39 | 8 | 725 54 69 01 | 3 | 32 | 734 12 00 01 | 6 | 40 |
| 725 24 63 51 | 43 | 16 | 725 54 75 91 | 9 | 30 | 734 12 04 01 | 27 | 7 |
| 725 24 97 51 | 41 | 68 | 726 84 43 01 | 21 | 22 | 734 12 04 01 | 35 | 9 |
| 725 25 00 51 | 29 | 8 | 728 84 43 01 | 25 | 22 | 734 12 04 01 | 33 | 27 |
| 725 25 00 51 | 9 | 33 | 731 23 16 01 | 13 | 64 | 734 12 06 01 | 17 | 26 |
| 725 25 01 51 | 13 | 13 | 731 23 20 01 | 29 | 12 | 735 21 20 00 | 39 | 26 |
| 725 25 07 91 | 33 | 23 | 731 23 22 01 | 37 | 3 | 735 31 30 01 | 27 | 32 |
| 725 25 09 51 | 41 | 79 | 731 23 22 01 | 31 | 4 | 735 31 33 01 | 19 | 28 |
| 725 25 32 51 | 61 | 7 | 731 23 22 01 | 29 | 7 | 735 31 33 01 | 17 | 28 |
| 725 25 32 51 | 19 | 29 | 731 23 22 01 | 39 | 7 | 735 31 33 01 | 9 | 46 |
| 725 25 32 61 | 65 | 32 | 731 23 22 01 | 67 | 24 | 735 31 40 11 | 27a | 9 |
| 725 25 32 61 | 13 | 35 | 731 23 22 01 | 29 | 25 | 735 31 40 11 | 25 | 21 |
| 725 25 32 61 | 67 | 44 | 731 23 22 01 | 51 | 26 | 735 31 40 11 | 21 | 24 |
| 725 25 32 61 | 11 | 61 | 731 23 22 01 | 33 | 31 | 735 31 47 01 | 39 | 41 |
| 725 25 36 51 | 13 | 8 | 731 23 22 01 | 35 | 36 | 736 25 62 00 | 21 | 27 |
| 725 25 36 51 | 41 | 70 | 731 23 24 01 | 43 | 4 | 736 22 06 16 | 33 | 28 |
| 725 25 36 51 | 9 | 26 | 731 23 24 01 | 65 | 7 | 736 22 06 16 | 35 | 30 |
| 725 25 36 51 | 17 | 33 | 731 23 24 01 | 63 | 12 | 736 22 06 16 | 33 | 35 |
| 725 25 36 51 | 13 | 58 | 731 23 24 01 | 59 | 17 | 736 23 04 30 | 33 | 29 |
| 725 25 40 51 | 33 | 33 | 731 23 24 01 | 51 | 19 | 736 23 05 30 | 35 | 34 |
| 725 25 42 51 | 35 | 42 | 731 23 24 01 | 63 | 21 | 736 23 05 30 | 33 | 37 |
| 725 25 43 51 | 19 | 2 | 731 23 24 01 | 65 | 21 | 736 61 32 02 | 39 | 5 |
| 725 25 43 51 | 79 | 2 | 731 23 24 01 | 37 | 42 | 736 61 32 02 | 35 | 6 |

| *NUMMER REGISTER*NUMMERNVERZEICHNIS*NUMBER REGISTER*LISTE DE PIECES PAR ORDRE NUMERIQUE* | | | | | | | | |
|------------------------------------------------------------------------------------------|-------|---------|---------------|-------|---------|---------------|-------|---------|
| Detail nr | Side | Pos.nr | Detail nr | Side | Pos.nr | Detail nr | Side | Pos.nr |
| Best.Nr | Seite | Pos.Nr | Best.Nr | Seite | Pos.Nr | Best.Nr | Seite | Pos.Nr |
| Part No | Page | Ref.No. | Part No | Page | Ref.No. | Part No | Page | Ref.No. |
| Code N°. | Page | Fig.N°. | Code N°. | Page | Fig.N°. | Code N°. | Page | Fig.N°. |
| 738 81 32 02 | 33 | 30 | 1650 36 07 05 | 23 | 10 | 1652 02 77 00 | 59 | 6 |
| 738 88 10 01 | 89 | 8 | 1650 36 07 05 | 23a | 11 | 1652 02 78 60 | 59 | |
| 738 88 10 01 | 85 | 18 | 1650 36 07 05 | 19 | 25 | 1652 03 14 00 | 16 | 8 |
| 738 88 10 01 | 21 | 20 | 1650 36 07 05 | 13 | 39 | 1652 03 21 00 | 35 | 60 |
| 738 88 10 01 | 33 | 24 | 1650 36 07 05 | 35 | 60 | 1652 03 26 00 | 16 | |
| 738 88 10 01 | 35 | 33 | 1650 36 07 07 | 23 | 11 | 1652 03 78 00 | 51 | 25 |
| 738 88 10 01 | 07 | 46 | 1650 36 07 07 | 23a | 21 | 1652 03 77 00 | 51 | 27 |
| 738 88 20 02 | 39 | 27 | 1650 36 07 07 | 67 | 30 | 1652 05 05 90 | 17 | 13 |
| 738 88 20 03 | 15 | 1 | 1650 36 07 07 | 19 | 38 | 1652 05 25 90 | 19 | |
| 738 88 20 03 | 35 | 2 | 1650 36 07 07 | 37 | 43 | 1652 05 26 90 | 19 | |
| 738 88 20 03 | 17 | 4 | 1650 36 07 07 | 13 | 60 | 1652 05 39 90 | 55 | |
| 738 88 20 03 | 13 | 9 | 1650 36 12 21 | 47 | 3 | 1652 05 40 90 | 55 | 1 |
| 738 88 20 03 | 43 | 9 | 1650 36 12 21 | 53 | 12 | 1652 05 56 00 | 37 | 2 |
| 738 88 20 03 | 61 | 11 | 1650 36 12 21 | 55 | 12 | 1652 05 60 90 | 37 | 60 |
| 738 88 20 03 | 23a | 16 | 1650 36 12 21 | 59 | 13 | 1652 05 62 90 | 37 | 1 |
| 738 88 20 03 | 33 | 25 | 1650 36 12 24 | 47 | 2 | 1652 05 65 00 | 39 | 17 |
| 738 88 20 03 | 37 | 32 | 1650 36 12 24 | 57 | 10 | 1652 05 66 00 | 37 | 31 |
| 738 88 20 03 | 19 | 34 | 1650 36 12 24 | 59 | 10 | 1652 05 73 00 | 37 | 55 |
| 738 88 20 03 | 9 | 45 | 1650 36 12 24 | 53 | 30 | 1652 05 74 50 | 37 | 54 |
| 738 88 20 03 | 41 | 55 | 1650 36 12 24 | 55 | 30 | 1652 05 75 50 | 37 | 61 |
| 738 88 50 03 | 37 | 33 | 1650 36 13 03 | 47 | 2 | 1652 05 76 50 | 37 | 52 |
| 738 88 50 03 | 9 | 47 | 1650 36 13 03 | 47 | 3 | 1652 05 77 50 | 37 | 51 |
| 738 88 50 03 | 41 | 75 | 1650 36 13 03 | 53 | 16 | 1652 05 81 50 | 37 | 56 |
| 738 88 80 03 | 19 | 4 | 1650 36 13 03 | 55 | 15 | 1652 06 20 00 | 39 | 15 |
| 738 88 80 03 | 13 | 21 | 1650 36 13 03 | 59 | 15 | 1652 06 22 00 | 41 | 67 |
| 740 43 07 00 | 3 | 18 | 1650 36 13 03 | 57 | 20 | 1652 06 23 00 | 41 | 66 |
| 740 48 48 04 | 43 | 1 | 1650 36 15 05 | 47 | 5 | 1652 07 09 90 | 45 | 26 |
| 740 51 77 00 | 43 | 15 | 1650 36 50 07 | 23a | 12 | 1652 07 70 90 | 45 | |
| 1650 36 01 25 | 53 | 29 | 1650 36 50 07 | 9 | 30 | 1652 08 29 50 | 49 | 12 |
| 1650 36 02 21 | 57 | 16 | 1651 29 78 28 | 3 | 28 | 1652 08 31 50 | 49 | |
| 1650 36 02 21 | 51 | 31 | 1651 29 83 01 | 7 | 2 | 1652 08 32 50 | 49 | |
| 1650 36 02 22 | 47 | 2 | 1651 29 83 01 | 7 | 6 | 1652 08 34 50 | 49 | |
| 1650 36 02 22 | 57 | 17 | 1651 29 83 01 | 27 | 26 | 1652 08 88 00 | 39 | 47 |
| 1650 36 02 22 | 53 | 27 | 1651 29 83 01 | 61 | 32 | 1652 08 94 59 | 59 | |
| 1650 36 02 22 | 51 | 34 | 1651 29 88 49 | 3 | 29 | 1652 08 95 59 | 59 | |
| 1650 36 02 23 | 47 | 3 | 1651 42 91 00 | 31 | 16 | 1652 08 96 59 | 59 | |
| 1650 36 02 23 | 53 | 17 | 1651 42 91 00 | 29 | 23 | 1652 08 97 59 | 59 | |
| 1650 36 02 23 | 85 | 17 | 1651 46 32 00 | 6 | 4 | 1652 10 43 00 | 7 | 1 |
| 1650 36 02 23 | 57 | 18 | 1651 46 35 00 | 65 | 9 | 1652 10 43 00 | 5 | 2 |
| 1650 36 02 33 | 59 | 18 | 1651 63 60 00 | 29 | 11 | 1652 10 43 00 | 5 | 7 |
| 1650 36 02 33 | 53 | 22 | 1651 63 60 00 | 29 | | 1652 10 43 00 | 27 | 20 |
| 1650 36 02 33 | 55 | 22 | 1651 89 80 00 | 3 | 27 | 1652 12 50 00 | 41 | 65 |
| 1650 36 02 33 | 45 | 36 | 1651 89 19 00 | 37 | 35 | 1652 12 51 00 | 41 | 64 |
| 1650 36 02 57 | 53 | 13 | 1651 93 24 30 | 37 | 16 | 1652 12 67 00 | 39 | 32 |
| 1650 36 02 57 | 55 | 13 | 1652 00 08 90 | 37 | 39 | 1652 12 92 50 | 37 | 62 |
| 1650 36 02 57 | 59 | 14 | 1652 00 10 90 | 37 | | 1652 13 37 50 | 47 | |
| 1650 36 02 57 | 57 | 22 | 1652 00 13 90 | 37 | 24 | 1652 13 38 50 | 47 | |
| 1650 36 02 58 | 53 | 14 | 1652 00 24 90 | 37 | | 1652 13 86 90 | 13 | |
| 1650 36 02 58 | 35 | 19 | 1652 00 25 90 | 37 | 6 | 1652 14 06 00 | 13 | 53 |
| 1650 36 02 58 | 57 | 23 | 1652 00 26 90 | 37 | 7 | 1652 14 70 09 | 59 | |
| 1650 36 02 60 | 35 | 22 | 1652 00 27 90 | 37 | 9 | 1652 15 50 50 | 23a | 9 |
| 1650 36 04 03 | 53 | 28 | 1652 00 28 90 | 37 | 8 | 1652 15 50 50 | 31a | |
| 1650 36 04 03 | 55 | 28 | 1652 00 34 90 | 37 | 5 | 1652 15 51 50 | 31a | 3 |
| 1650 36 04 03 | 33 | 42 | 1652 00 40 90 | 37 | 27 | 1652 15 55 90 | 23a | |
| 1650 36 04 05 | 17 | 6 | 1652 00 42 00 | 37 | 25 | 1652 15 65 00 | 61 | 54 |
| 1650 36 04 05 | 23 | 9 | 1652 00 44 00 | 37 | 37 | 1652 15 99 09 | 59 | 7 |
| 1650 36 04 05 | 61 | 13 | 1652 00 45 90 | 37 | 41 | 1652 16 10 90 | 59 | |
| 1650 36 04 05 | 51 | 21 | 1652 00 48 00 | 37 | 29 | 1652 16 20 90 | 59 | 1 |
| 1650 36 04 05 | 39 | 38 | 1652 00 98 00 | 51 | 40 | 1652 17 05 00 | 3 | 26 |
| 1650 36 04 05 | 45 | 44 | 1652 01 82 00 | 37 | 49 | 1652 22 34 00 | 13 | 44 |
| 1650 36 04 05 | 11 | 57 | 1652 02 24 90 | 15 | 1 | 1652 22 43 60 | 23a | 28 |
| 1650 36 04 07 | 53 | 16 | 1652 02 28 00 | 15 | 8 | 1652 23 68 00 | 21 | 25 |
| 1650 36 04 07 | 55 | 16 | 1652 02 35 00 | 31 | 9 | 1652 23 69 00 | 39 | 20 |
| 1650 36 04 07 | 35 | 20 | 1652 02 45 99 | 59 | | 1652 23 70 00 | 39 | 21 |
| 1650 36 04 07 | 57 | 20 | 1652 02 49 59 | 59 | A | 1652 23 71 00 | 39 | 23 |
| 1650 36 04 07 | 9 | 29 | 1652 02 50 59 | 59 | B | 1652 23 72 00 | 39 | 25 |
| 1650 36 06 89 | 45 | 41 | 1652 02 51 59 | 59 | C | 1652 23 73 60 | 39 | 29 |
| 1650 36 06 91 | 25 | 7 | 1652 02 52 59 | 59 | D | 1652 24 21 00 | 39 | 22 |
| 1650 36 06 91 | 25 | 15 | 1652 02 68 50 | 59 | 12 | 1652 24 22 00 | 39 | 28 |

| *NUMMER REGISTER*NUMMERNVERZEICHNIS*NUMBER REGISTER*LISTE DE PIECES PAR ORDRE NUMERIQUE* | | | | | | | | |
|------------------------------------------------------------------------------------------|-------|---------|---------------|-------|---------|---------------|-------|---------|
| Detail nr | Side | Pos.nr | Detail nr | Side | Pos.nr | Detail nr | Side | Pos.nr |
| Best.Nr | Seite | Pos.Nr | Best.Nr | Seite | Pos.Nr | Best.Nr | Seite | Pos.Nr |
| Part No | Page | Ref.No. | Part No | Page | Ref.No. | Part No | Page | Ref.No. |
| Code N°. | Page | Fig.N°. | Code N°. | Page | Fig.N°. | Code N°. | Page | Fig.N°. |
| 1652 25 91 90 | 13 | 42 | 1652 42 53 90 | 11 | | 1657 48 14 00 | 31 | 13 |
| 1652 26 17 03 | 39 | | 1652 42 56 00 | 9 | 34 | 1657 48 14 00 | 29 | 27 |
| 1652 26 37 00 | 39 | 11 | 1652 42 60 50 | 55 | | 1657 48 14 00 | 61 | 53 |
| 1652 26 38 00 | 39 | 12 | 1652 42 62 50 | 55 | 31 | 1657 48 16 00 | 31 | 27 |
| 1652 26 41 90 | 39 | 16 | 1652 42 83 00 | 7 | 6 | 1657 49 22 50 | 53 | |
| 1652 26 50 00 | 39 | 31 | 1652 42 93 00 | 23 | 16 | 1657 49 22 50 | 55 | |
| 1652 26 51 00 | 39 | 33 | 1652 43 25 50 | 27 | | 1657 49 22 50 | 57 | 32 |
| 1652 26 52 00 | 39 | 34 | 1652 43 67 50 | 53 | 33 | 1657 55 45 00 | 43 | 14 |
| 1652 26 53 00 | 39 | 35 | 1652 43 72 00 | 43 | 11 | 1657 57 46 00 | 31 | 29 |
| 1652 26 54 00 | 39 | 36 | 1652 44 12 95 | 43 | | 1657 57 52 00 | 29 | 17 |
| 1652 26 59 00 | 39 | 40 | 1652 44 21 09 | 51 | | 1657 58 23 50 | 29 | 8 |
| 1652 26 60 00 | 39 | 42 | 1652 44 22 09 | 51 | | 1657 59 28 00 | 31 | 10 |
| 1652 26 61 00 | 39 | 43 | 1652 44 23 50 | 49 | | 1657 59 75 91 | 46 | 37 |
| 1652 26 64 00 | 39 | 44 | 1652 44 24 50 | 49 | | 1657 70 26 00 | 37 | 11 |
| 1652 26 66 50 | 41 | 59 | 1652 45 48 00 | 29 | 12 | 1657 70 26 00 | 39 | 18 |
| 1652 26 77 00 | 5 | 7 | 1652 47 54 50 | 49 | | 1657 70 27 00 | 37 | 12 |
| 1652 27 06 00 | 41 | 56 | 1652 47 85 50 | 49 | | 1657 70 27 00 | 39 | 19 |
| 1652 27 07 00 | 41 | 57 | 1652 47 88 50 | 49 | | 1657 72 21 00 | 67 | 29 |
| 1652 27 08 00 | 41 | 58 | 1652 47 87 50 | 49 | | 1657 72 21 00 | 31 | 39 |
| 1652 28 17 90 | 19 | 38 | 1652 47 88 50 | 49 | | 1657 72 27 00 | 5 | 4 |
| 1652 30 48 00 | 31 | | 1652 47 89 00 | 47 | | 1657 72 31 00 | 67 | 2 |
| 1652 31 21 00 | 39 | 14 | 1652 47 90 00 | 47 | | 1657 72 31 00 | 29 | 3 |
| 1652 31 25 00 | 29 | 7 | 1652 47 97 50 | 53 | | 1657 72 31 00 | 25 | 11 |
| 1652 33 39 00 | 7 | 3 | 1652 48 01 50 | 53 | 34 | 1657 72 31 00 | 27 | 12 |
| 1652 33 39 00 | 27 | 10 | 1652 48 02 50 | 53 | | 1657 72 31 00 | 31 | 14 |
| 1652 33 40 00 | 27 | 11 | 1652 50 53 00 | 27 | | 1657 72 31 00 | 29 | 21 |
| 1652 33 41 00 | 27 | 23 | 1652 52 49 90 | 45 | 36 | 1657 72 31 00 | 65 | 23 |
| 1652 33 46 50 | 27a | 1 | 1652 52 50 90 | 45 | 33 | 1657 72 31 00 | 29 | 28 |
| 1652 33 99 00 | 11 | 58 | 1652 52 51 90 | 45 | 21 | 1657 72 35 00 | 29 | 4 |
| 1652 35 88 00 | 27 | 17 | 1652 52 52 90 | 45 | | 1657 72 35 00 | 25 | 9 |
| 1652 35 89 00 | 7 | 3 | 1652 55 00 91 | 43 | | 1657 78 26 00 | 31a | 4 |
| 1652 36 93 00 | 37 | 22 | 1652 55 00 92 | 43 | | 1657 78 26 00 | 29 | 16 |
| 1652 36 96 00 | 37 | 17 | 1652 55 00 93 | 43 | | 1657 78 26 00 | 31 | 21 |
| 1652 36 97 00 | 37 | 18 | 1652 55 00 94 | 43 | | 1657 78 38 00 | 29 | |
| 1652 37 00 90 | 37 | 14 | 1652 55 00 95 | 43 | | 1657 78 52 00 | 31a | 7 |
| 1652 37 67 00 | 39 | 4 | 1652 55 00 96 | 43 | | 1657 83 83 00 | 29 | 1 |
| 1652 38 02 90 | 31a | 2 | 1652 55 00 00 | 5 | 5 | 1657 83 83 00 | 25 | 12 |
| 1652 38 16 90 | 39 | 1 | 1652 55 11 50 | 3 | 4 | 1657 83 83 00 | 3 | 13 |
| 1652 38 67 50 | 47 | | 1652 55 11 50 | 5 | 6 | 1657 83 83 00 | 27 | 14 |
| 1652 38 68 50 | 47 | 1 | 1652 55 11 50 | 7 | 8 | 1657 83 83 00 | 31 | 25 |
| 1652 38 71 00 | 41 | 72 | 1652 55 12 50 | 5 | 6 | 1657 84 74 00 | 29 | 22 |
| 1652 38 72 00 | 41 | 71 | 1652 55 12 50 | 3 | 31 | 1657 88 72 60 | 37 | 13 |
| 1652 39 24 09 | 53 | 32 | 1652 55 14 50 | 3 | 22 | 1657 88 73 60 | 37 | 10 |
| 1652 39 25 09 | 53 | | 1652 55 25 00 | 3 | 1 | 1657 90 31 00 | 7 | 4 |
| 1652 39 30 00 | 7 | 7 | 1652 55 26 00 | 3 | 21 | 1657 90 31 00 | 25 | 7 |
| 1652 39 37 00 | 7 | 4 | 1652 55 28 00 | 3 | 23 | 1657 90 31 00 | 5 | 10 |
| 1652 39 50 50 | 27 | 3 | 1652 55 29 00 | 3 | 3 | 1657 90 31 00 | 7 | 10 |
| 1652 39 69 00 | 19 | 12 | 1652 59 02 50 | 23a | 6 | 1657 90 31 00 | 67 | 12 |
| 1652 39 75 50 | 21 | | 1652 59 14 00 | 23a | 31 | 1657 90 31 00 | 25 | 17 |
| 1652 39 76 50 | 21 | 6 | 1652 60 25 00 | 3 | 34 | 1657 90 31 00 | 65 | 27 |
| 1652 39 84 00 | 41 | 74 | 1652 60 80 00 | 3 | 33 | 1658 03 16 00 | 31a | 6 |
| 1652 40 56 90 | 11 | 54 | 1656 54 78 00 | 29 | 14 | 1658 03 16 00 | 31 | 7 |
| 1652 40 67 90 | 35 | 18 | 1656 54 78 00 | 29 | 20 | 1658 03 16 00 | 29 | 10 |
| 1652 40 71 90 | 11 | | 1657 23 99 01 | 23a | 8 | 1658 03 16 00 | 29 | 15 |
| 1652 40 72 90 | 11 | | 1657 23 99 01 | 65 | 26 | 1658 03 16 00 | 3 | 24 |
| 1652 40 83 90 | 45 | 40 | 1657 25 47 00 | 45 | 19 | 1658 03 17 00 | 31a | 5 |
| 1652 40 83 90 | 45 | 42 | 1657 30 57 00 | 29 | 14 | 1658 03 17 00 | 31 | 8 |
| 1652 40 95 90 | 11 | 49 | 1657 30 57 00 | 29 | 16 | 1658 03 17 00 | 29 | 9 |
| 1652 40 96 90 | 11 | | 1657 30 57 00 | 31 | 18 | 1658 05 59 50 | 67 | |
| 1652 40 97 90 | 11 | | 1657 32 24 01 | 39 | 2 | 1658 05 59 50 | 53 | 18 |
| 1652 41 13 90 | 19 | | 1657 32 24 01 | 61 | 14 | 1658 05 59 50 | 56 | 18 |
| 1652 41 14 90 | 19 | | 1657 33 01 01 | 67 | 19 | 1658 06 62 00 | 45 | |
| 1652 42 40 90 | 11 | 53 | 1657 39 93 00 | 61 | 26 | 1658 06 63 00 | 45 | |
| 1652 42 41 90 | 11 | 52 | 1657 48 14 00 | 29 | 2 | 1658 07 35 00 | 33 | 20 |
| 1652 42 44 90 | 9 | | 1657 48 14 00 | 67 | 3 | 1658 07 50 00 | 31 | 16 |
| 1652 42 45 90 | 9 | 48 | 1657 48 14 00 | 65 | 5 | 1658 07 50 00 | 29 | 19 |
| 1652 42 48 90 | 9 | | 1657 48 14 00 | 3 | 12 | 1658 07 50 00 | 29 | 19 |
| 1652 42 49 90 | 9 | | 1657 48 14 00 | 25 | 13 | 1658 08 59 00 | 43 | 3 |
| 1652 42 52 90 | 11 | | 1657 48 14 00 | 27 | 13 | 1658 09 61 00 | 45 | 23 |

*NUMMER REGISTER*NUMMERNVERZEICHNIS*NUMBER REGISTER*LISTE DE PIECES PAR ORDRE NUMMERIQUE*

| Detail nr Best.Nr Part No Code N°. | Sida Seite Page Page | Pos.nr Pos.Nr Ref.No. Fig.N°. | Detail nr Best.Nr Part No Code N°. | Sida Seite Page Page | Pos.nr Pos.Nr Ref.No. Fig.N°. | Detail nr Best.Nr Part No Code N°. | Sida Seite Page Page | Pos.nr Pos.Nr Ref.No. Fig.N°. |
|---------------------------------------------|-------------------------------|----------------------------------------|---------------------------------------------|-------------------------------|----------------------------------------|---------------------------------------------|-------------------------------|----------------------------------------|
| 1658 09 06 00 | 43 | 7 | 1658 55 08 00 | 69 | 3 | 1658 65 56 00 | 27a | 3 |
| 1658 09 67 90 | 43 | 12 | 1658 56 08 50 | 27a | | 1658 65 56 00 | 25 | 16 |
| 1658 10 76 00 | 46 | 27 | 1658 56 06 50 | 27 | 5 | 1658 65 58 00 | 27a | 5 |
| 1658 15 29 00 | 45 | 24 | 1658 56 25 00 | 19 | 13 | 1658 65 58 00 | 25 | 20 |
| 1658 15 60 50 | 29 | 9 | 1658 56 25 00 | 41 | 54 | 1658 66 21 00 | 57 | 34 |
| 1658 20 41 00 | 9 | 21 | 1658 56 36 00 | 5 | 3 | 1658 66 39 90 | 45 | 34 |
| 1658 20 41 00 | 19 | 27 | 1658 56 36 00 | 25 | 8 | 1658 66 42 90 | 45 | |
| 1658 22 63 60 | 61 | 51 | 1658 56 36 00 | 7 | 12 | 1658 67 11 00 | 9 | 23 |
| 1658 30 46 00 | 39 | 6 | 1658 56 36 00 | 67 | 13 | 1658 67 11 00 | 10 | 26 |
| 1658 30 46 00 | 35 | 7 | 1658 56 36 00 | 31 | 23 | 1658 67 19 00 | 9 | 5 |
| 1658 30 46 00 | 33 | 12 | 1658 56 37 00 | 29 | 16 | 1658 67 19 00 | 63 | 9 |
| 1658 30 50 00 | 31 | 37 | 1658 56 71 00 | 45 | | 1658 67 19 00 | 13 | 10 |
| 1658 33 61 00 | 67 | 25 | 1658 56 93 00 | 13 | 6 | 1658 68 84 00 | 27a | 4 |
| 1658 34 54 00 | 25 | 5 | 1658 56 93 00 | 61 | 22 | 1658 68 84 00 | 25 | 17 |
| 1658 35 67 00 | 23 | 12 | 1658 56 93 00 | 9 | 27 | 1658 91 75 00 | 21 | 10 |
| 1658 35 67 00 | 61 | 19 | 1658 56 93 00 | 37 | 63 | 1658 92 08 00 | 25 | 10 |
| 1658 35 67 00 | 23a | 22 | 1658 57 63 00 | 15 | 2 | 1658 94 28 00 | 31 | 20 |
| 1658 35 67 00 | 67 | 36 | 1658 57 63 00 | 35 | 14 | 1658 94 28 00 | 29 | 25 |
| 1658 38 99 00 | 25 | 3 | 1658 57 63 00 | 65 | 31 | 1658 94 42 00 | 9 | 10 |
| 1658 39 01 00 | 25 | 4 | 1658 57 63 00 | 19 | 33 | 1658 94 85 00 | 47 | 4 |
| 1658 39 81 09 | 57 | | 1658 57 79 00 | 13 | 4 | 1658 95 00 00 | 25 | 6 |
| 1658 40 31 99 | 57 | | 1658 57 79 00 | 9 | 7 | 1658 95 89 50 | 63 | |
| 1658 40 33 09 | 57 | | 1658 57 79 00 | 37 | 23 | 1658 95 90 50 | 63 | 1 |
| 1658 40 46 00 | 69 | 7 | 1658 57 79 00 | 61 | 23 | 1658 95 95 50 | 63 | 3 |
| 1658 40 46 00 | 61a | 11 | 1658 58 82 90 | 15 | 5 | 1658 95 99 00 | 63 | 5 |
| 1658 40 52 00 | 69 | 6 | 1658 58 82 90 | 19 | 9 | 1658 95 99 00 | 65 | 20 |
| 1658 40 52 00 | 61a | 12 | 1658 58 82 90 | 17 | 14 | 1658 96 00 00 | 65 | 21 |
| 1658 40 76 00 | 69 | 4 | 1658 58 82 90 | 9 | 19 | 1658 96 00 50 | 63 | 6 |
| 1658 40 82 09 | 57 | 7 | 1658 58 82 90 | 13 | 36 | 1658 96 02 00 | 63 | 8 |
| 1658 40 87 99 | 67 | 6 | 1658 58 82 90 | 37 | 53 | 1658 96 81 90 | 17 | 31 |
| 1658 40 90 90 | 57 | | 1658 58 84 00 | 23a | 4 | 1658 96 81 90 | 13 | |
| 1658 40 91 90 | 57 | 1 | 1658 58 84 00 | 43 | 5 | 1658 96 86 00 | 63 | 4 |
| 1658 40 96 00 | 5 | 8 | 1658 58 84 00 | 23 | 13 | 1658 96 86 00 | 65 | 19 |
| 1658 40 98 00 | 7 | 8 | 1658 58 84 00 | 13 | 14 | 1658 96 87 50 | 63 | 2 |
| 1658 48 36 60 | 33 | 13 | 1658 60 06 90 | 57 | 8 | 1658 97 29 90 | 45 | 17 |
| 1658 48 58 09 | 57 | | 1658 60 43 90 | 23a | 1 | 1658 97 30 90 | 45 | |
| 1658 50 03 09 | 57 | | 1658 60 44 00 | 23a | 13 | 1658 97 66 00 | 9 | 14 |
| 1658 50 04 09 | 57 | | 1658 60 56 90 | 23a | 5 | 1658 98 22 00 | 13 | 17 |
| 1658 50 06 00 | 13 | 5 | 1658 60 79 00 | 23a | 7 | 1659 00 34 00 | 9 | 9 |
| 1658 50 05 00 | 9 | 6 | 1658 60 80 00 | 23a | 2 | 1659 00 34 00 | 13 | 12 |
| 1658 50 05 00 | 61 | 10 | 1658 60 85 90 | 9 | 24 | 1659 01 75 90 | 33 | 4 |
| 1658 50 06 00 | 63 | 10 | 1658 60 85 90 | 13 | 30 | 1659 03 74 00 | 17 | 27 |
| 1658 50 05 00 | 17 | 12 | 1658 60 86 90 | 9 | | 1659 03 74 00 | 13 | 29 |
| 1658 50 05 00 | 65 | 29 | 1658 60 86 90 | 13 | | 1659 03 74 00 | 9 | 31 |
| 1658 50 05 00 | 37 | 30 | 1658 60 86 90 | 17 | | 1659 05 16 00 | 67 | 37 |
| 1658 50 05 00 | 35 | 37 | 1658 61 00 90 | 33 | 6 | 1659 05 31 00 | 67 | 4 |
| 1658 50 05 00 | 41 | 63 | 1658 61 65 90 | 9 | 2 | 1659 05 31 00 | 23 | 8 |
| 1658 50 39 09 | 57 | | 1658 61 08 00 | 9 | 4 | 1659 05 31 00 | 23a | 20 |
| 1658 51 91 00 | 57 | 9 | 1658 62 14 00 | 25 | 2 | 1659 05 31 00 | 37 | 47 |
| 1658 51 93 09 | 57 | 5 | 1658 62 40 01 | 17 | 11 | 1659 05 31 00 | 13 | 59 |
| 1658 51 94 09 | 57 | | 1658 62 40 01 | 67 | 16 | 1659 06 16 00 | 57 | 14 |
| 1658 51 95 09 | 57 | | 1658 62 40 03 | 23 | 3 | 1659 06 30 00 | 29 | 5 |
| 1658 51 96 09 | 57 | 3 | 1658 62 40 06 | 61 | 20 | 1659 08 56 00 | 23 | 7 |
| 1658 52 43 60 | 33 | 1 | 1658 62 40 09 | 45 | 29 | 1659 08 56 00 | 23a | 10 |
| 1658 52 44 00 | 33 | 18 | 1658 62 56 00 | 31a | 1 | 1659 08 56 00 | 13 | 40 |
| 1658 52 46 00 | 33 | 2 | 1658 62 76 00 | 31 | | 1659 08 56 00 | 35 | 51 |
| 1658 52 47 00 | 33 | 19 | 1658 63 38 60 | 33 | 6 | 1659 08 56 00 | 41 | 77 |
| 1658 53 00 00 | 13 | 2 | 1658 64 05 02 | 27a | 8 | 1659 08 30 00 | 67 | 5 |
| 1658 53 00 00 | 9 | 3 | 1658 64 05 02 | 29 | 20 | 1659 09 30 00 | 65 | 16 |
| 1658 53 95 90 | 33 | 7 | 1658 64 05 02 | 21 | 23 | 1659 11 17 50 | 67 | 35 |
| 1658 54 38 00 | 45 | 28 | 1658 64 05 03 | 3 | 6 | 1659 11 20 91 | 33 | |
| 1658 54 61 50 | 63 | | 1658 64 06 03 | 3 | 7 | 1659 11 20 92 | 33 | |
| 1658 54 61 50 | 55 | | 1658 64 33 00 | 61 | 5 | 1659 12 04 00 | 31 | 30 |
| 1658 54 61 50 | 57 | | 1658 64 33 00 | 23 | 14 | 1659 12 05 00 | 65 | 2 |
| 1658 54 62 50 | 53 | 11 | 1658 65 49 00 | 27a | 7 | 1659 12 05 00 | 67 | 15 |
| 1658 54 62 50 | 55 | 11 | 1658 65 49 00 | 25 | 19 | 1659 12 06 00 | 31 | 32 |
| 1658 54 62 60 | 57 | 14 | 1658 65 50 00 | 27a | 6 | 1659 12 38 00 | 61 | 28 |
| 1658 54 69 00 | 27 | 2 | 1658 65 50 00 | 25 | 18 | 1659 12 41 00 | 61 | 29 |
| 1658 65 08 00 | 61a | 3 | 1658 65 53 00 | 27a | 2 | 1659 12 62 00 | 67 | 22 |

*NUMMER REGISTER*NUMMERNVERZEICHNIS*NUMBER REGISTER*LISTE DE PIECES PAR ORDRE NUMERIQUE*

| Detail nr Best.Nr Part No Code N° | Sida Seite Page Page | Pos.nr Pos.Nr Ref.No. Fig.N° | Detail nr Best.Nr Part No Code N° | Sida Seite Page Page | Pos.nr Pos.Nr Ref.No. Fig.N° | Detail nr Best.Nr Part No Code N° | Sida Seite Page Page | Pos.nr Pos.Nr Ref.No. Fig.N° |
|--------------------------------------------|-------------------------------|---------------------------------------|--------------------------------------------|-------------------------------|---------------------------------------|--------------------------------------------|-------------------------------|---------------------------------------|
| 1659 12 63 50 | 67 | 23 | 1659 26 31 50 | 61a | 1 | 1659 42 89 09 | 53 | 9 |
| 1659 12 69 00 | 67 | 21 | 1659 26 35 00 | 61a | 8 | 1659 42 89 09 | 55 | 9 |
| 1659 13 08 01 | 3 | 6 | 1659 26 38 00 | 61a | 13 | 1659 42 89 09 | 59 | 10 |
| 1659 13 31 00 | 61a | 4 | 1659 26 47 00 | 9 | 13 | 1659 42 89 09 | 57 | 11 |
| 1659 13 36 00 | 3 | 14 | 1659 28 48 90 | 9 | 12 | 1659 42 90 00 | 65 | 1 |
| 1659 13 39 00 | 3 | 16 | 1659 28 57 00 | 9 | 18 | 1659 42 90 00 | 67 | 16 |
| 1659 13 49 00 | 35 | 50 | 1659 29 39 00 | 61 | 55 | 1659 42 91 00 | 29 | 2 |
| 1659 13 80 50 | 67 | 20 | 1659 29 63 50 | 25 | 1 | 1659 42 91 00 | 31 | 2 |
| 1659 13 99 00 | 23 | 5 | 1659 29 64 80 | 25 | 14 | 1659 42 91 00 | 29 | 21 |
| 1659 14 02 90 | 23 | 1 | 1659 29 68 50 | 25 | 21 | 1659 43 70 50 | 69 | |
| 1659 14 03 00 | 23 | 15 | 1659 29 98 00 | 69 | 6 | 1659 43 70 50 | 67 | 31 |
| 1659 14 06 00 | 23 | 4 | 1659 30 05 00 | 17 | 10 | 1659 43 75 00 | 69 | 2 |
| 1659 14 17 00 | 37 | 21 | 1659 30 05 00 | 13 | 31 | 1659 43 81 50 | 69 | 1 |
| 1659 14 51 00 | 67 | 28 | 1659 30 05 00 | 9 | 37 | 1659 43 82 00 | 69 | 5 |
| 1659 14 53 00 | 21 | 26 | 1659 30 06 00 | 35 | 55 | 1659 44 17 00 | 5 | 2 |
| 1659 16 34 00 | 51 | 20 | 1659 30 20 90 | 9 | 25 | 1659 44 17 00 | 7 | 2 |
| 1659 16 74 50 | 67 | 9 | 1659 30 20 90 | 17 | 32 | 1659 44 17 00 | 3 | 11 |
| 1659 17 74 00 | 67 | 26 | 1659 30 20 90 | 13 | 57 | 1659 44 17 00 | 7 | 13 |
| 1659 17 79 00 | 29 | 26 | 1659 30 54 09 | 51 | | 1659 44 42 50 | 51 | 17 |
| 1659 17 79 50 | 31 | 6 | 1659 30 55 09 | 51 | 37 | 1659 44 89 00 | 35 | 21 |
| 1659 17 81 00 | 65 | 4 | 1659 30 61 00 | 51 | | 1659 45 00 00 | 25 | 8 |
| 1659 18 01 09 | 61 | 33 | 1659 30 62 00 | 51 | 35 | 1659 45 02 50 | 25 | 6 |
| 1659 18 02 09 | 51 | | 1659 30 68 00 | 29 | 16 | 1659 45 03 50 | 25 | 14 |
| 1659 18 03 09 | 51 | 29 | 1659 30 68 00 | 31 | 22 | 1659 45 04 50 | 5 | 1 |
| 1659 18 04 09 | 51 | | 1659 30 72 50 | 25 | | 1659 45 04 50 | 5 | 1 |
| 1659 18 11 00 | 5 | 9 | 1659 31 01 00 | 69 | 4 | 1659 45 04 50 | 25 | |
| 1659 18 11 00 | 7 | 9 | 1659 31 02 00 | 69 | 3 | 1659 45 35 00 | 37 | 38 |
| 1659 18 11 00 | 26 | 10 | 1659 31 03 50 | 69 | 2 | 1659 45 35 00 | 35 | 46 |
| 1659 18 11 00 | 25 | 19 | 1659 31 04 00 | 69 | 1 | 1659 45 38 90 | 35 | 41 |
| 1659 18 12 50 | 67 | 17 | 1659 33 18 50 | 33 | 14 | 1659 45 44 90 | 23 | |
| 1659 18 12 50 | 37 | 36 | 1659 33 19 00 | 33 | 17 | 1659 45 45 50 | 51 | 22 |
| 1659 18 13 50 | 69 | | 1659 33 20 00 | 33 | 16 | 1659 45 46 50 | 49 | 10 |
| 1659 18 13 50 | 67 | 10 | 1659 33 21 60 | 33 | 15 | 1659 45 50 90 | 17 | 8 |
| 1659 18 14 00 | 67 | 11 | 1659 34 69 00 | 35 | 35 | 1659 45 52 00 | 17 | 6 |
| 1659 18 14 00 | 61 | 57 | 1659 34 69 00 | 33 | 38 | 1659 45 69 00 | 21 | 18 |
| 1659 18 52 00 | 29 | 10 | 1659 34 70 00 | 35 | 32 | 1659 45 69 00 | 25 | 18 |
| 1659 18 52 00 | 31 | 26 | 1659 34 70 00 | 33 | 36 | 1659 45 77 00 | 5 | 11 |
| 1659 18 53 00 | 29 | 3 | 1659 34 73 00 | 35 | 29 | 1659 45 77 00 | 7 | 11 |
| 1659 18 53 00 | 31 | 11 | 1659 34 73 00 | 33 | 34 | 1659 45 94 99 | 53 | |
| 1659 18 53 00 | 29 | 22 | 1659 35 74 00 | 5 | 5 | 1659 45 95 99 | 53 | 5 |
| 1659 19 36 00 | 31 | 33 | 1659 35 74 00 | 61 | 56 | 1659 45 96 09 | 53 | |
| 1659 19 38 50 | 31 | 5 | 1659 36 38 02 | 61 | 30 | 1659 45 97 09 | 53 | 6 |
| 1659 19 38 50 | 29 | 11 | 1659 37 22 00 | 17 | 34 | 1659 45 98 09 | 53 | |
| 1659 19 45 00 | 23a | 23 | 1659 38 05 00 | 25 | 8 | 1659 45 99 09 | 53 | 4 |
| 1659 20 85 09 | 51 | | 1659 38 10 00 | 25 | 15 | 1659 46 00 09 | 53 | |
| 1659 20 86 09 | 51 | | 1659 38 20 50 | 19 | 22 | 1659 46 01 09 | 53 | |
| 1659 21 05 50 | 67 | 33 | 1659 38 20 50 | 21 | | 1659 46 02 09 | 53 | |
| 1659 21 08 50 | 67 | 24 | 1659 38 24 00 | 21 | | 1659 46 03 09 | 53 | |
| 1659 21 09 50 | 67 | 36 | 1659 38 26 00 | 21 | 6 | 1659 46 04 09 | 53 | |
| 1659 21 13 00 | 67 | 32 | 1659 38 27 00 | 21 | 11 | 1659 46 05 09 | 53 | 3 |
| 1659 21 14 00 | 67 | 34 | 1659 38 29 00 | 21 | 13 | 1659 46 06 09 | 53 | |
| 1659 21 15 51 | 67 | | 1659 38 31 50 | 21 | 14 | 1659 46 08 09 | 55 | |
| 1659 21 16 00 | 67 | 8 | 1659 38 41 00 | 21 | 16 | 1659 46 08 09 | 59 | |
| 1659 21 17 00 | 67 | 8 | 1659 38 64 90 | 33 | 9 | 1659 46 09 09 | 53 | 2 |
| 1659 21 18 50 | 67 | 7 | 1659 38 70 90 | 9 | 1 | 1659 46 09 09 | 55 | 2 |
| 1659 21 27 90 | 23 | | 1659 38 70 90 | 13 | 3 | 1659 46 09 09 | 59 | 2 |
| 1659 21 38 00 | 29 | 16 | 1659 39 50 90 | 15 | 3 | 1659 46 12 09 | 53 | |
| 1659 21 38 00 | 29 | 17 | 1659 39 62 00 | 15 | 6 | 1659 46 12 09 | 55 | |
| 1659 21 38 00 | 31 | 17 | 1659 40 63 00 | 9 | 22 | 1659 46 12 09 | 59 | |
| 1659 22 06 09 | 57 | | 1659 40 63 00 | 19 | 28 | 1659 46 13 09 | 53 | 8 |
| 1659 22 07 09 | 57 | 2 | 1659 41 25 00 | 25 | 13 | 1659 46 13 09 | 55 | 8 |
| 1659 22 26 00 | 67 | 47 | 1659 42 02 00 | 25 | 11 | 1659 46 13 09 | 59 | 9 |
| 1659 22 27 50 | 49 | | 1659 42 43 90 | 45 | | 1659 46 14 90 | 53 | 7 |
| 1659 22 37 91 | 45 | | 1659 42 44 90 | 45 | 39 | 1659 46 15 90 | 53 | 20 |
| 1659 22 73 50 | 49 | 11 | 1659 42 45 00 | 9 | 11 | 1659 46 15 90 | 55 | 20 |
| 1659 24 34 00 | 3 | 10 | 1659 42 88 09 | 57 | | 1659 46 16 90 | 53 | |
| 1659 26 28 50 | 61 | 21 | 1659 42 87 09 | 57 | 4 | 1659 46 17 90 | 53 | 1 |
| 1659 26 28 50 | 65 | 25 | 1659 42 89 00 | 47 | 4 | 1659 46 22 09 | 53 | |
| 1659 26 28 50 | 61a | | 1659 42 89 00 | 57 | 12 | 1659 46 22 09 | 57 | 35 |

*NUMMER REGISTER*NUMMERNVERZEICHNIS*NUMBER REGISTER*LISTE DE PIECES PAR ORDRE NUMMERIQUE*

| Detail nr Best.Nr Part No Code N°. | Sida Seite Page Page | Pos.nr Pos.Nr Ref.No. Fig.N°. | Detail nr Best.Nr Part No Code N°. | Sida Seite Page Page | Pos.nr Pos.Nr Ref.No. Fig.N°. | Detail nr Best.Nr Part No Code N°. | Sida Seite Page Page | Pos.nr Pos.Nr Ref.No. Fig.N°. |
|---------------------------------------------|-------------------------------|----------------------------------------|---------------------------------------------|-------------------------------|----------------------------------------|---------------------------------------------|-------------------------------|----------------------------------------|
| 1659 46 22 99 | 55 | | 1659 59 26 00 | 61 | 26 | 1659 65 30 00 | 61 | 6 |
| 1659 46 22 99 | 59 | | 1659 59 28 50 | 61 | 24 | 1659 65 30 00 | 11 | 60 |
| 1659 46 23 09 | 57 | | 1659 59 46 50 | 61 | 12 | 1659 70 01 00 | 15 | 7 |
| 1659 46 23 09 | 53 | 10 | 1659 59 48 50 | 65 | 17 | 1659 70 01 00 | 17 | 19 |
| 1659 46 23 99 | 55 | 10 | 1659 59 61 00 | 65 | 14 | 1659 70 02 00 | 15 | 6 |
| 1659 46 23 99 | 59 | 11 | 1659 59 75 00 | 15 | 5 | 1659 70 02 00 | 17 | 21 |
| 1659 46 24 50 | 47 | | 1659 59 99 00 | 61 | 15 | 1659 70 12 00 | 35 | 15 |
| 1659 46 25 50 | 47 | 6 | 1659 59 99 00 | 65 | 22 | 1659 70 25 60 | 15 | 2 |
| 1659 46 26 09 | 53 | | 1659 60 60 00 | 19 | 23 | 1659 70 25 60 | 17 | 20 |
| 1659 46 27 09 | 53 | 26 | 1659 60 64 50 | 47 | | 1659 70 67 00 | 61 | 18 |
| 1659 46 68 00 | 3 | 2 | 1659 60 65 50 | 47 | 1 | 1659 70 68 00 | 61 | 16 |
| 1659 46 68 00 | 3 | 15 | 1659 60 79 00 | 61 | 1 | 1659 71 02 00 | 27 | 6 |
| 1659 47 11 00 | 35 | 39 | 1659 60 84 09 | 55 | | 1659 71 59 00 | 37 | 50 |
| 1659 47 30 03 | 43 | | 1659 60 85 99 | 55 | 5 | 1659 72 70 00 | 33 | 3 |
| 1659 47 30 04 | 43 | | 1659 60 86 09 | 55 | | 1659 72 73 00 | 35 | 17 |
| 1659 47 30 07 | 43 | | 1659 60 87 09 | 55 | 6 | 1659 72 74 00 | 35 | 25 |
| 1659 47 30 08 | 43 | | 1659 60 90 09 | 55 | | 1659 72 75 00 | 35 | 16 |
| 1659 47 30 11 | 43 | | 1659 60 90 09 | 59 | | 1659 73 33 90 | 35 | 1 |
| 1659 47 30 12 | 43 | | 1659 60 91 09 | 55 | 4 | 1659 73 36 00 | 39 | 26 |
| 1659 47 34 90 | 43 | 8 | 1659 60 91 09 | 59 | 5 | 1659 73 37 00 | 35 | 28 |
| 1659 48 27 90 | 19 | 21 | 1659 60 92 09 | 55 | | 1659 73 38 00 | 35 | 27 |
| 1659 48 28 00 | 19 | 16 | 1659 60 92 09 | 59 | | 1659 73 39 60 | 35 | 31 |
| 1659 48 28 00 | 13 | 37 | 1659 60 93 09 | 55 | | 1659 73 71 00 | 13 | 16 |
| 1659 48 28 00 | 9 | 39 | 1659 60 93 09 | 59 | | 1659 73 72 00 | 13 | 38 |
| 1659 48 90 90 | 17 | 1 | 1659 60 94 09 | 55 | | 1659 73 72 00 | 11 | 51 |
| 1659 48 78 90 | 19 | | 1659 60 94 09 | 59 | | 1659 74 35 90 | 35 | 40 |
| 1659 48 91 00 | 9 | 15 | 1659 60 95 09 | 55 | 3 | 1659 74 37 90 | 35 | 62 |
| 1659 48 91 00 | 9 | 16 | 1659 60 95 09 | 59 | 4 | 1659 74 45 50 | 40 | |
| 1659 48 91 00 | 13 | 32 | 1659 61 04 90 | 55 | 7 | 1659 75 34 90 | 13 | 43 |
| 1659 49 10 00 | 67 | 48 | 1659 61 04 90 | 59 | 6 | 1659 75 35 90 | 13 | 7 |
| 1659 49 17 00 | 19 | 14 | 1659 61 12 90 | 23a | | 1659 75 41 90 | 13 | |
| 1659 49 37 00 | 19 | 20 | 1659 61 20 51 | 61 | | 1659 75 42 90 | 13 | |
| 1659 49 40 90 | 17 | 2 | 1659 61 22 00 | 17 | 5 | 1659 77 41 90 | 13 | |
| 1659 49 46 00 | 35 | 3 | 1659 61 38 00 | 31 | 35 | 1659 77 49 60 | 13 | |
| 1659 49 46 00 | 33 | 5 | 1659 62 68 50 | 47 | | 1659 77 50 00 | 13 | |
| 1659 49 47 00 | 35 | 4 | 1659 62 69 50 | 47 | | 1659 80 96 00 | 23a | 24 |
| 1659 49 47 00 | 33 | 10 | 1659 62 72 09 | 53 | | 1659 81 09 00 | 29 | 13 |
| 1659 49 49 00 | 35 | 5 | 1659 62 72 09 | 59 | | 1659 81 98 00 | 17 | 23 |
| 1659 49 49 00 | 33 | 11 | 1659 62 73 09 | 59 | 3 | 1659 82 51 50 | 49 | |
| 1659 49 73 90 | 9 | 8 | 1659 62 73 09 | 53 | 31 | 1659 82 52 50 | 49 | |
| 1659 51 39 00 | 19 | 11 | 1659 62 75 50 | 65 | | 1659 82 53 50 | 49 | |
| 1659 51 39 00 | 13 | 24 | 1659 62 76 50 | 65 | 12 | 1659 82 54 50 | 49 | |
| 1659 51 42 00 | 19 | 5 | 1659 62 85 90 | 13 | 41 | 1659 82 58 50 | 51 | 30 |
| 1659 51 42 00 | 13 | 22 | 1659 62 89 00 | 13 | 18 | 1659 82 59 50 | 51 | |
| 1659 51 43 90 | 19 | 1 | 1659 62 98 00 | 13 | 34 | 1659 82 60 50 | 49 | |
| 1659 51 46 00 | 17 | 29 | 1659 62 98 00 | 19 | | 1659 82 61 50 | 49 | |
| 1659 54 84 00 | 13 | 15 | 1659 63 13 50 | 65 | 6 | 1659 82 62 50 | 49 | |
| 1659 54 96 00 | 13 | 1 | 1659 63 14 90 | 19 | | 1659 82 63 50 | 49 | 13 |
| 1659 55 27 90 | 19 | 17 | 1659 63 15 90 | 19 | | 1659 82 72 90 | 35 | 49 |
| 1659 55 27 90 | 9 | 20 | 1659 63 16 00 | 65 | 13 | 1659 83 09 90 | 19 | |
| 1659 55 27 90 | 13 | 33 | 1659 63 42 00 | 61 | 58 | 1659 83 11 90 | 19 | |
| 1659 55 58 00 | 67 | 1 | 1659 63 66 50 | 27 | | 1659 83 12 90 | 19 | |
| 1659 56 78 50 | 47 | 1 | 1659 64 07 00 | 31 | 38 | 1659 83 19 00 | 35 | 13 |
| 1659 56 78 59 | 47 | | 1659 64 09 90 | 45 | | 1659 83 20 90 | 35 | 52 |
| 1659 56 79 50 | 47 | | 1659 64 09 90 | 45 | | 1659 83 21 90 | 35 | 58 |
| 1659 56 79 59 | 47 | | 1659 64 29 00 | 35 | 57 | 1659 83 71 91 | 35 | 53 |
| 1659 57 16 90 | 19 | | 1659 64 31 00 | 36 | 59 | 1659 83 71 92 | 35 | |
| 1659 57 74 00 | 7 | 1 | 1659 64 38 50 | 61 | 4 | 1659 84 67 00 | 37 | 15 |
| 1659 57 74 00 | 5 | 3 | 1659 64 40 50 | 61 | 27 | 1659 85 44 00 | 17 | 35 |
| 1659 57 74 00 | 7 | 5 | 1659 64 44 00 | 61 | 9 | 1659 86 34 90 | 13 | |
| 1659 57 74 00 | 3 | 25 | 1659 64 98 00 | 35 | 12 | 1659 86 35 00 | 11 | 59 |
| 1659 57 79 00 | 17 | 15 | 1659 64 99 00 | 35 | 11 | 1659 86 44 00 | 31 | |
| 1659 57 84 00 | 17 | 16 | 1659 65 00 91 | 35 | | 1659 87 43 50 | 21 | |
| 1659 57 95 90 | 19 | 8 | 1659 65 01 00 | 35 | 10 | 1659 87 44 00 | 37 | 20 |
| 1659 57 95 90 | 13 | 25 | 1659 65 04 50 | 65 | 11 | 1659 87 47 00 | 21 | 9 |
| 1659 58 40 90 | 19 | 15 | 1659 65 08 00 | 61 | 2 | 1659 88 35 00 | 3 | 8 |
| 1659 58 16 00 | 9 | | 1659 65 08 00 | 69 | 10 | 1659 88 51 00 | 29 | 6 |
| 1659 58 16 00 | 9 | | 1659 65 09 00 | 65 | 28 | 1659 88 51 00 | 31 | 28 |
| 1659 58 16 00 | 19 | 31 | 1659 65 12 00 | 65 | 30 | 1659 88 52 00 | 29 | 1 |

*NUMMER REGISTER*NUMMERNVERZEICHNIS*NUMBER REGISTER*LISTE DE PIECES PAR ORDRE NUMERIQUE*

| Detail nr | Sida | Pos.nr | Detail nr | Sida | Pos.nr | Detail nr | Sida | Pos.nr |
|---------------|-------|---------|-----------|-------|---------|-----------|-------|---------|
| Best.Nr | Seite | Pos.Nr | Best.Nr | Seite | Pos.Nr | Best.Nr | Seite | Pos.Nr |
| Part No | Page | Ref.No. | Part No | Page | Ref.No. | Part No | Page | Ref.No. |
| Code N°. | Page | Fig.N°. | Code N°. | Page | Fig.N°. | Code N°. | Page | Fig.N°. |
| 1650 88 52 00 | 31 | 1 | | | | | | |
| 1650 88 95 00 | 13 | | | | | | | |
| 1650 88 96 00 | 13 | | | | | | | |
| 1650 89 08 00 | 37 | 48 | | | | | | |
| 1650 90 02 90 | 23 | 2 | | | | | | |
| 1650 90 14 00 | 29 | 24 | | | | | | |
| 1650 90 23 90 | 15 | 4 | | | | | | |
| 1650 90 31 50 | 51 | 38 | | | | | | |
| 1650 90 32 50 | 51 | | | | | | | |
| 1650 90 33 50 | 40 | 15 | | | | | | |
| 1650 90 34 50 | 40 | | | | | | | |
| 1650 90 35 50 | 49 | 3 | | | | | | |
| 1650 90 36 50 | 49 | | | | | | | |
| 1650 90 37 50 | 49 | | | | | | | |
| 1650 90 38 50 | 49 | 4 | | | | | | |
| 1650 90 40 50 | 49 | 14 | | | | | | |
| 1650 90 50 50 | 49 | | | | | | | |
| 1650 90 51 50 | 49 | 1 | | | | | | |
| 1650 90 52 50 | 49 | | | | | | | |
| 1650 90 53 50 | 49 | | | | | | | |
| 1650 90 54 50 | 49 | 2 | | | | | | |
| 1650 91 16 90 | 13 | | | | | | | |
| 1650 95 00 90 | 23a | 3 | | | | | | |
| 1650 95 03 90 | 15 | | | | | | | |
| 1650 96 27 50 | 47 | | | | | | | |
| 1650 96 28 50 | 47 | | | | | | | |
| 1650 99 80 00 | 37 | 28 | | | | | | |

Överums Bruk AB , 590 96 Överum, Tel. 0493 – 36100
Telephone: + 46 493 36100. Telefax 0493 – 30035
Web adress <http://www.overums-bruk.se>
E-mail: sales@overums-bruk.se

From serial No. 04 278087

1656 80 05 50

07.2004