

DX

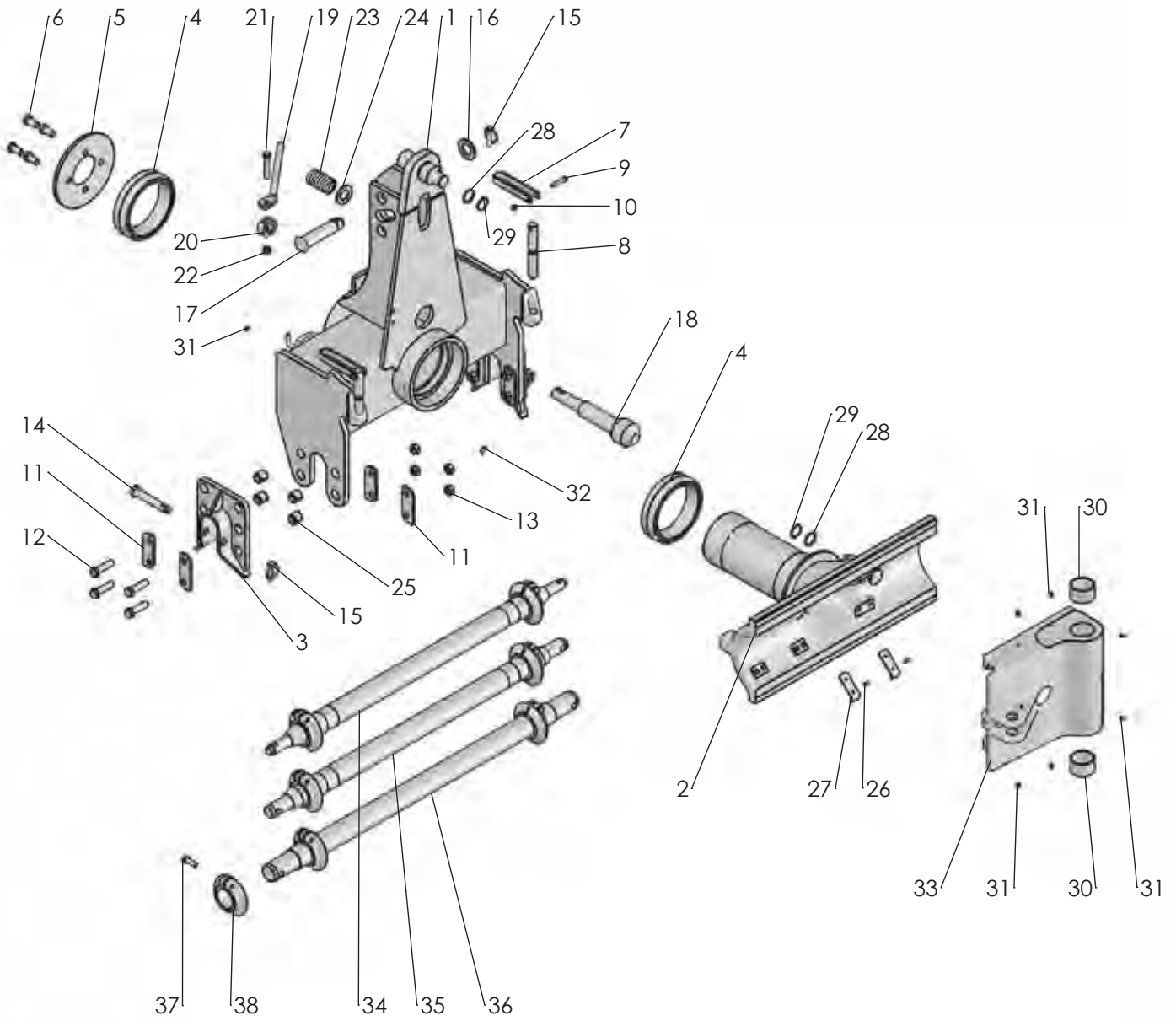


Reservdelista
Spare parts list
Ersatzteilliste
Onderdelenlijst
Liste de pièce de rechange
Listino di prezzi de ricambio

Edition:
191001

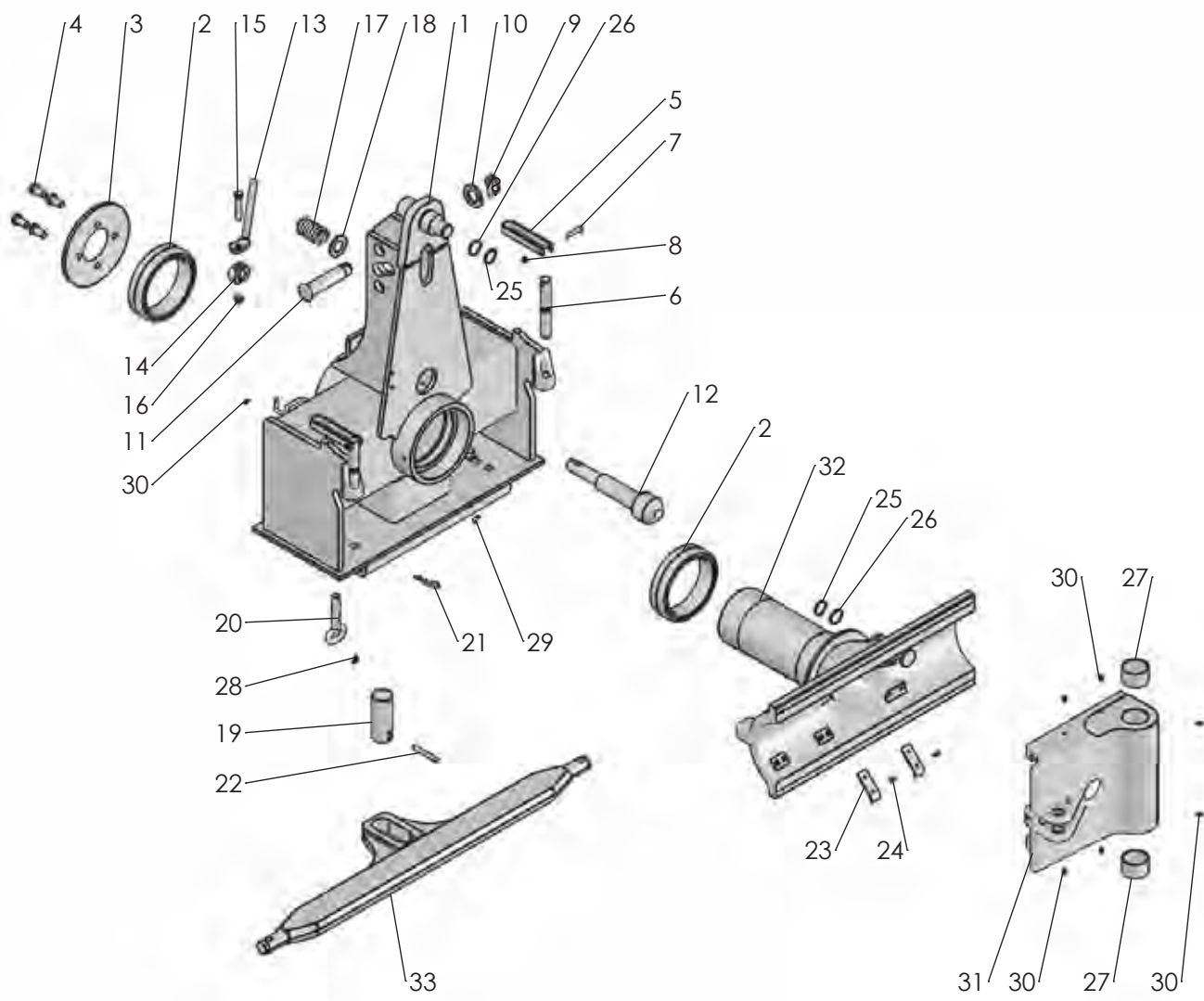
 **ÖVERUM**

Sida Seite Page Page	Bild Bild Fig.No. Fig.Nº.	Typ	Innehållsförteckning	Inhaltsverzeichnis	Index of contents	Table des matieres
3	1607	DX	TOPP	KOPFSTÜCK	HEADSTOCK	TETE
5	1608	DX	TOPP, SPANSK	KOPFSTÜCK, OSCIL.	HEADSTOCK, OSCIL.	TETE
7	1609	H	RAM	RAHMEN	MAIN FRAME	CHÂSSES-POUTRE
9	1610	F	RAM	RAHMEN	MAIN FRAME	CHÂSSES-POUTRE
11	1426	DX	VÄNDCYLINDER	WENDEZYLINDER	REVERSING	VÉRIN CPL.
13	1425	DX	HYDRAULISK UTRÄTNING	HYDRAULISCHE VENTIL	HYDRAULIC VALVE	HYDRAULIQUE SOUPAPE
15	1612	DX	HYDRAULISK UTRÄTNING	HYDRAULISCHE VENTIL	HYDRAULIC VALVE	HYDRAULIQUE SOUPAPE
17	1611	DX	HYDRAULISK SIDOREGLERING	HYDRAULISCHE SCHNITTBREITEN- VERSTELLUNG	HYDRAULIC FRONT-FURROW ADJUSTER	DEPORTATEURE HYDRAULIQUE
19	1430 1429	F H	ÅS ÅS	GRINDEL GRINDEL	BEAM BEAM	SUPPORT D'AGE SUPPORT D'AGE
21	1280 1281	DX	STENSÅKRINGS- HYDRAULIK	HYDRAULISCHER STEINSICHERUNG	HYDRAULIC STONE TRIP	DISPOSITIF DE SECURITE HYDRAULIQUE
23	1613	DX	STENSÅKRINGS- HYDRAULIK	HYDRAULISCHER STEINSICHERUNG	HYDRAULIC STONE TRIP	DISPOSITIF DE SECURITE HYDRAULIQUE
25	1614	DX	PENDELHJUL	PENDELRAD	PENDULUM WHEEL	ROUE PENDULAIRE
27	1329	DX	PENDELHJUL	PENDELRAD	PENDULUM WHEEL	ROUE PENDULAIRE
29	1434	DX	KOMBIHJUL	KOMBIRAD	COMBINDE WHEEL	ROUE COMBINASION
33	1431	DX	KOMBIHJUL	KOMBIRAD	COMBINDE WHEEL	ROUE COMBINASION
39	1469	DX	KOMBIHJUL	KOMBIRAD	COMBINDE WHEEL	ROUE COMBINASION
37	1456	DX	PENDELHJUL	PENDELRAD	PENDULUM WHEEL	ROUE PENDULAIRE
39	1469	DX	KOMBIHJUL	KOMBIRAD	COMBINDE WHEEL	ROUE COMBINASION
43	1615	DX	HYDRAULISK DJUPJUSTERING SKIVRIST	HYDRAULISCHE TIFENEINSTELLUNG SCHEIBENSECH	HYDRAULIC DEPTH CONTROL DISC COULTER	HYDRAULIQUE DE LA PROFONDEUR COUTRE
45	1392, 698, 538					CICULAIRE
47	103d	XL,XLP	PLOGKROPP	PFLUGKÖRPER	PLOUGH BOTTOMS	CORPS DE CHARRUE
49	1322	XLD	PLOGKROPP	PFLUGKÖRPER	PLOUGH BOTTOMS	CORPS DE CHARRUE
51	660	XU	PLOGKROPP	PFLUGKÖRPER	PLOUGH BOTTOMS	CORPS DE CHARRUE
53	665	XS	PLOGKROPP	PFLUGKÖRPER	PLOUGH BOTTOMS	CORPS DE CHARRUE
55	1520	XSD	PLOGKROPP	PFLUGKÖRPER	PLOUGH BOTTOMS	CORPS DE CHARRUE
57	700,701,702	XL,XLD,XU,XS	SKUMVINGE	EINLEGER- STREICHBLECH	COVERBOARD	DEFLECTEUR
59	1010		SKUMRIST	VORSCHÄLER	SKIMMER	RASETTE
61	1432	DX	PACKERARM	PACKERARM	PLOUGH ARM	BARRE DE TRACTION
63	1366		DEKALER	AUFKLEBER	STICKERS	DECALCOMANIE



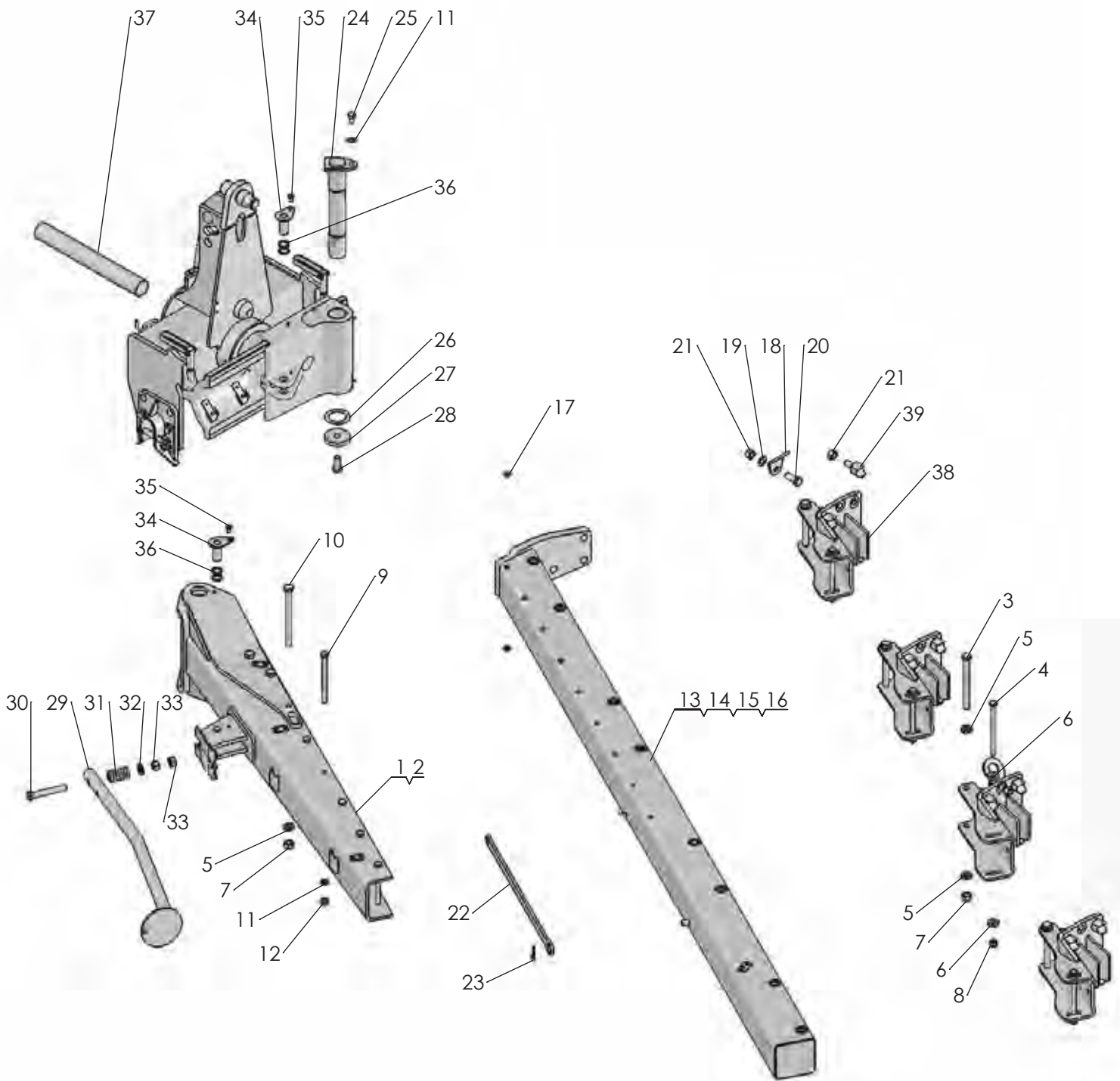
1607

Pos nr/ Ref No	Detalj nr/ Part No	Benämning	Description
1607 Ö	95151	TOPP	HEADSTOCK
1	4165 94850 90	Topp Ø150/150	Headstock Ø150/150
2	4165 20505 90	Gejder svetsritning	Turn over arm
3	4165 94550 90	Bäraxellagring	Cross shaft bracket
4	4165 96122 00	Nållager NA4830	Needle bearing NA4830
5	4165 94940 00	Låsring	Locking plate
6	4725 26 24 81	Skruv M6S 16x30-MW	Bolt ISO 4014 - M16 x 30-10.9 MW
7	4165 95784 00	Handtag	Handle
8	4165 95779 00	Ställskruv	Adjustment screw
9	4725 24 60 51	Skruv M6S 8x 45- 8.8 FZB	Bolt ISO 4014-M8x45-8.8 FZB
10	4732 21 18 90	Mutter M6M 8 NF A2-80	Nut DIN 985 - M8 A2
11	4165 94552 00	Bricka	Washer
12	4725 26 32 81	Skruv M6S 16x 60-10.9 MW	Bolt ISO 4014 M16x60-10.9 MW
13	4165 03604 05	Mutter M6M 16-10 FZB	Nut DIN 934 M16-10 FZB
14	4165 93005 00	Tapp	Pivot pin
15	4165 85005 00	Ringsprint, Ø11x34	Linch pin, Ø11x34
16	4734 12 06 01	Bricka BRB 34x 60 FZB	Washer ISO 7089 - 33
17	4165 98198 00	Toppstångstapp, Ø32x146	Top link axle, Ø32x145
18	4165 97002 00	Topplås	Locking pin
19	4165 97025 60	Handtag, kompl	Handle, cpl
20	4165 97001 00	Låsmuff	Locking ring
21	4725 25 46 57	Skruv M6S 12x 70- 8.8 FZV	Bolt ISO 4014 - M12 x 70-8.8 FZV
22	4732 21 22 51	Mutter M6M 12- 8 NF FZB	Nut ISO 7040-M12-8-NF FZB
23	4165 85882 00	Tryckfjäder, Ø6, Dy 43, L=70	Compression spring, Ø6, Dy 43, L=70
24	4734 12 04 01	Bricka BRB 31x 56 FZB	Washer ISO 7089 - 30
25	4165 86240 01	Fjädrande rörpinne FRP 28x 28	Spring pin DIN 1481 S Ø28x28
26	4725 23 68 51	Skruv M6S 6x 16- 8.8 FZB	Bolt ISO 4014 - M6 x 16-8.8 FZB
27	4165 21391 00	Hållare	Holder
28	4165 90374 00	Bricka, Ø35/40x3,5	Washer, Ø35/40x3,5
29	4735 31 33 01	Spårring SgA 35 FZB	Circlip DIN 471 - 35 x 1.5
30	4165 85625 00	Glidlager, Ø60/65/40	Slide bearing, Ø60/65/40
31	4738 88 20 03	Smörjnippel, AM 8x1,25 FZB	Grease nipple, AM 8x1,25 FZB
32	4738 88 80 03	Smörjnippel, CM 8x1,25 FZB	Grease nipple, CM 8x1,25 FZB
33	4165 94827 90	Medbringare DX	Turn over arm DX
34	4165 96931 42	Bäraxel kat 2L med inf.konor	Crossshaft cat 2L with cones, cpl
35	4165 93019 42	Bäraxel kat 3 med inf.konor	Crossshaft cat 3 with cones, cpl
36	4165 27658 40	Bäraxel kat 4K med inf.konor	Crossshaft cat 4 with cones
37	4725 25 38 81	Skruv M6S 12x 35-10.9 MW	Bolt ISO 4014 - M12 x 35-10.9 MW
38	4165 93020 40	Infångarkon	Guide cone



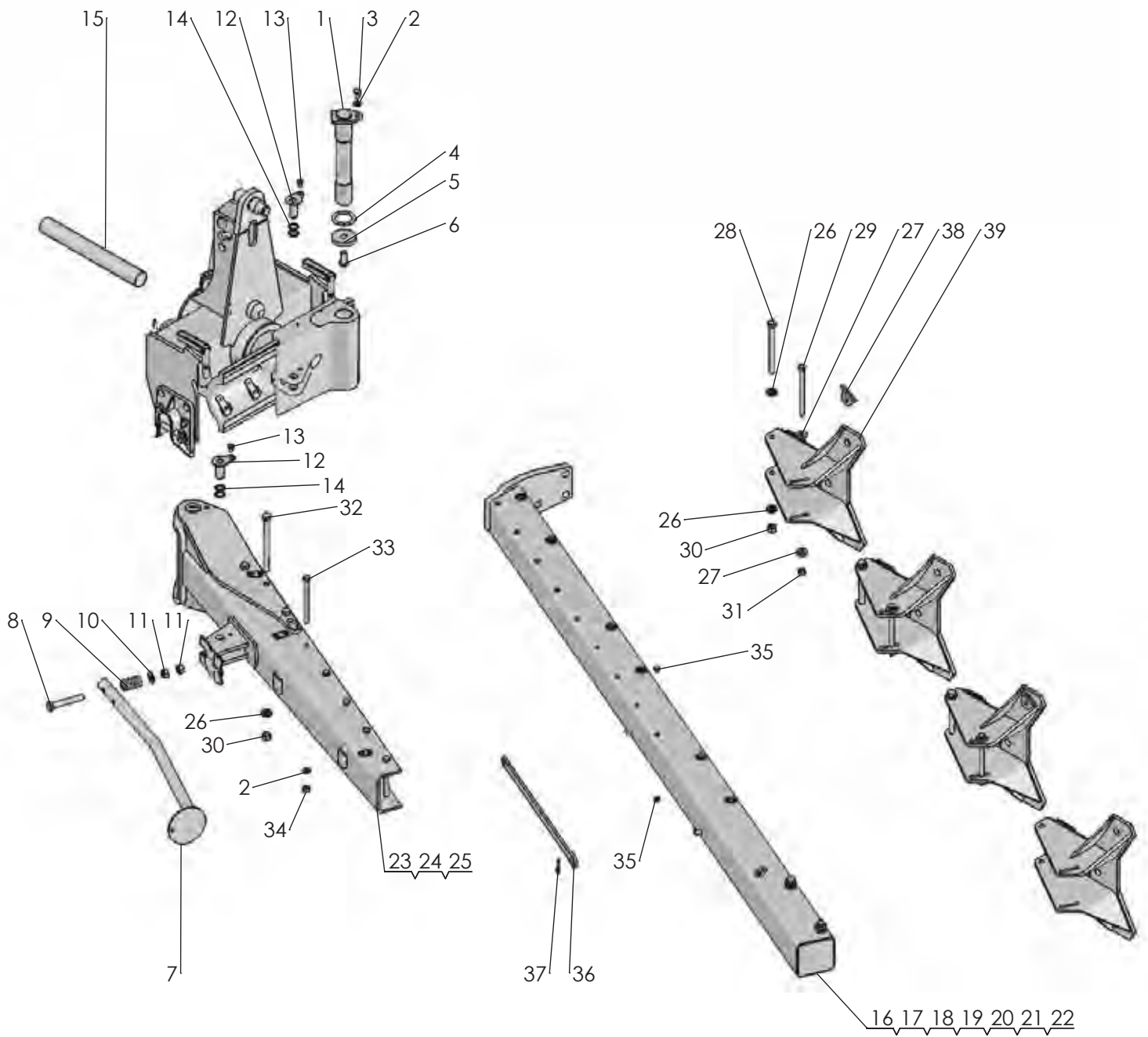
1608

Pos nr/ Ref No	Detalj nr/ Part No	Benämning	Description
1608 Ö	24135	TOPP MED OSCILLERANDE BÄRAXEL	HEADSTOCK WITH OSCILATING CROSS SHAFT
1	4165 20314 90	Spansk topp Ø150/150	Headstock Ø150/150 Spain
2	4165 96122 00	Nållager NA4830	Needle bearing NA4830
3	4165 94940 00	Låsring	Locking plate
4	4725 26 24 81	Skruv M6S 16x30-MW	Bolt ISO 4014 - M16 x 30-10.9 MW
5	4165 95784 00	Handtag	Handle
6	4165 95779 00	Ställskruv	Adjustment screw
7	4725 24 60 51	Skruv M6S 8x 45- 8.8 FZB	Bolt ISO 4014-M8x45-8.8 FZB
8	4732 21 18 90	Mutter M6M 8 NF A2-80	Nut DIN 985 - M8 A2
9	4165 85005 00	Ringsprint, Ø11x34	Linch pin, Ø11x34
10	4734 12 06 01	Bricka BRB 34x 60 FZB	Washer ISO 7089 - 33
11	4165 98198 00	Toppstångstapp, Ø32x146	Top link axle, Ø32x146
12	4165 97002 00	Topplås	Locking pin
13	4165 97025 60	Handtag, kompl	Handle, cpl
14	4165 97001 00	Låsmuff	Locking ring
15	4725 25 46 57	Skruv M6S 12x 70- 8.8 FZV	Bolt ISO 4014 - M12 x 70-8.8 FZV
16	4732 21 22 51	Mutter M6M 12- 8 NF FZB	Nut ISO 7040-M12-8-NF FZB
17	4165 85882 00	Tryckfjäder, Ø6, Dy 43, L=70	Compression spring, Ø6, Dy 43, L=70
18	4734 12 04 01	Bricka BRB 31x 56 FZB	Washer ISO 7089 - 30
19	4165 93962 00	Låstapp, Ø50x125	Locking pin, Ø50x125
20	4165 95975 00	Säkringstapp, Ø20x95	Safety pin, Ø20x95
21	4165 85763 00	Hårnålssprint, Ø3,5	Cotter pin, Ø3,5
22	4721 44 27 01	Fjädrande rörpinne FRP 10x 80 FZB	Spring Pin ISO 8752 - 10 x 80 FZB
23	4165 21391 00	Hållare	Holder
24	4725 23 68 51	Skruv M6S 6x 16- 8.8 FZB	Bolt ISO 4014 - M6 x 16-8.8 FZB
25	4735 31 33 01	Spärring SgA 35 FZB	Circlip DIN 471 - 35 x 1.5
26	4165 90374 00	Bricka, Ø35/40x3,5	Washer, Ø35/40x3,5
27	4165 85625 00	Glidlager, Ø60/65/40	Slide bearing, Ø60/65/40
28	4738 88 50 03	Smörjnippel, BM 8x1,25 FZB	Grease nipple, BM 8x1,25 FZB
29	4738 88 80 03	Smörjnippel, CM 8x1,25 FZB	Grease nipple, CM 8x1,25 FZB
30	4738 88 20 03	Smörjnippel, AM 8x1,25 FZB	Grease nipple, AM 8x1,25 FZB
31	4165 94827 90	Medbringare DX	Turn over arm DX
32	4165 20505 90	Gejder svetsritning	Turn over arm
33	4165 20326 40	Bäraxel kat 3, ledad	Cross shaft cat 3, jointed



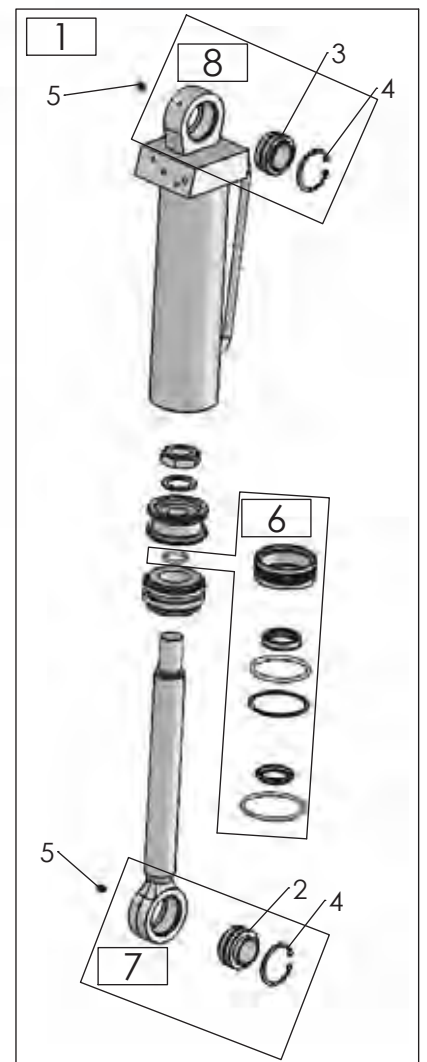
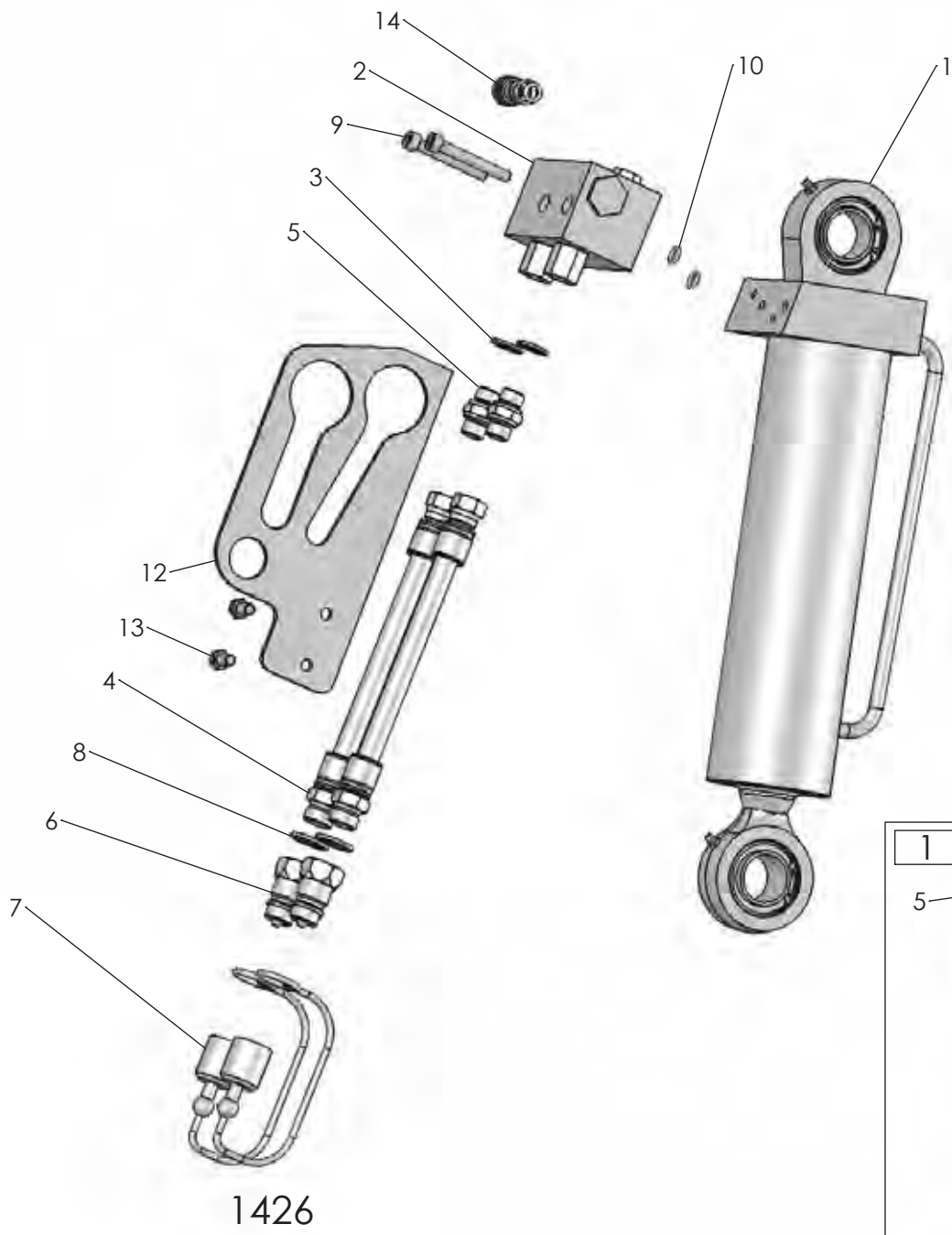
1609

Pos nr/ Ref No	Detalj nr/ Part No	Benämning	Description
1609 Ö	35923	RAM DX H	FRAME DX H
1	4165 95840 90	Dragbom DX	Draw bar DX
2	4165 20525 90	Dragbom DX690F, 5100H	Draw bar DX690F, 5100H
3	4165 90531 00	Skruv M20x215-12.9 MW	Bolt M20x215-12.9 MW
4	4165 90856 00	Skruv M16x215-12.9 MW	Bolt M16x215-12.9 MW
5	4165 83587 00	Bricka, Ø20,5/38,5x8	Washer, Ø20,5/38,5x8
6	4165 85884 00	Bricka, Ø17/38x10	Washer, Ø17/38x10
7	4165 03607 07	Mutter M6M 20-12 MW	Nut ISO 4032-20-12 MW
8	4165 03607 05	Mutter M6M 16-12 MW	Nut ISO 4032-16-12 MW
9	4725 26 53 81	Skruv M6S 16x200-10.9 MW	Bolt ISO 4014 - M16 x200-10.9 MW
10	4725 27 01 91	Skruv M6S 20x240-12.9 MW	Bolt ISO 4014 - M20 x 240-12.9 MW
11	4734 11 86 01	Bricka BRB 17x30 FZB	Washer ISO 7089 - 16
12	4731 23 24 51	Mutter M6M 16-10 MW	Nut ISO-4032 M16-10 MW
13	4165 95710 90	Ram DX 490 F/H	Frame DX 490 F/H
14	4165 94876 90	Ram DX 590 F/H	Frame DX 590 F/H
15	4165 96314 90	Ram DX 4100 F/H	Frame DX 4100 F/H
16	4165 96315 90	Ram DX 5100 F/H	Frame DX 5100 F/H
17	4165 35917 00	Skyddsplugg, Ø28/20,8	Protective cap, Ø28/20,8
18	4165 22243 60	Lyffäste, Ø20,5	Lifting device, Ø20,5
19	4734 11 92 01	Bricka BRB 21x 37 FZB	Washer ISO 7089-M20-200 HV
20	4725 26 74 81	Skruv M6S 20x 50-10.9 MW	Bolt ISO 4014 - M20 x 50-10.9 MW
21	4731 23 26 51	Mutter M6M 20-10 MW	Nut ISO - 4032 - M20-10 MW
22	4165 86711 00	Plognyckel, NV 24/30	Plough wrench, KW 24/30
23	4165 85763 00	Härnålssprint, Ø3,5	Cotter pin, Ø3,5
24	4165 94917 90	Länkaxel	Link axle
25	4725 26 22 51	Skruv M6S 16x 25- 8.8 FZB	Bolt ISO 4014 - M16 x 25-8.8 FZB
26	4165 97676 00	Bricka, Ø61/90x1,5	Washer, Ø61/90x1,5
27	4165 94937 00	Bricka, Ø21/90X15	Washer, Ø21/90X15
28	4725 26 73 81	Skruv M6S 20x 45-10.9 MW	Bolt ISO 4014 M20x45-10.9 MW
29	4165 95527 40	Stödben	Support leg
30	4725 26 90 51	Skruv M6S 20x130- 8.8 FZB	Bolt ISO 4014 - M20 x 130-8.8 FZB
31	4165 85882 00	Tryckfjäder, Ø6, Dy 43, L=70	Compression spring, Ø6, Dy 43, L=70
32	4165 94828 00	Bricka, Ø21/43x5	Washer, Ø21/43x5
33	4731 23 26 01	Mutter M6M 20- 8 FZB	Nut ISO - 4032 - M20
34	4165 96298 00	Låstapp, Ø30x70	Locking pin, Ø30x70
35	4725 25 32 51	Skruv M6S 12x 20- 8.8 FZB	Bolt ISO 4014 - M12 x 20-8.8 FZB
36	4165 22125 00	Bricka, Ø30/37x6	Washer, Ø30/37x6
37	4165 35683 00	Skyddsslang, Ø59,4/63x500	Protective hose, Ø59,4/63x500
38	4165 99500 90	Åshus auto	Beam house
39	4165 86080 00	Säte M20	Seat M20



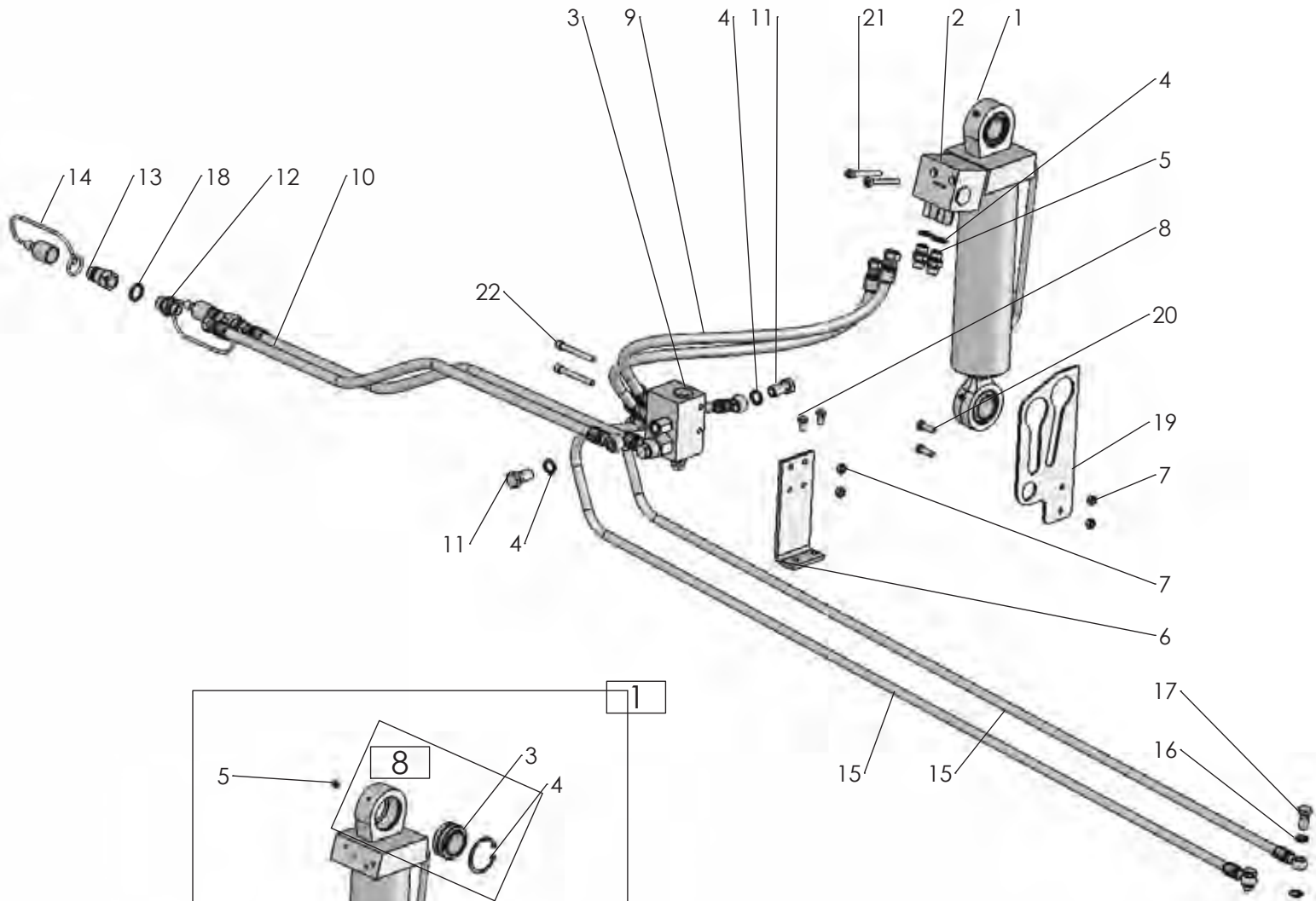
1610

Pos nr/ Ref No	Detalj nr/ Part No	Benämning	Description
1610 Ö	35924	RAM DX F	FRAME DX F
1	4165 94917 90	Länkaxel	Link axle
2	4734 11 86 01	Bricka BRB 17x30 FZB	Washer ISO 7089 - 16
3	4725 26 22 51	Skruv M6S 16x 25- 8.8 FZB	Bolt ISO 4014 - M16 x 25-8.8 FZB
4	4165 97676 00	Bricka, Ø61/90x1,5	Washer, Ø61/90x1,5
5	4165 94937 00	Bricka, Ø21/90X15	Washer, Ø21/90X15
6	4725 26 73 81	Skruv M6S 20x 45-10.9 MW	Bolt ISO 4014 M20x45-10.9 MW
7	4165 95527 40	Stödben	Support leg
8	4725 26 90 51	Skruv M6S 20x130- 8.8 FZB	Bolt ISO 4014 - M20 x 130-8.8 FZB
9	4165 85882 00	Tryckfjäder, Ø6, Dy 43, L=70	Compression spring, Ø6, Dy 43, L=70
10	4165 94828 00	Bricka, Ø21/43x5	Washer, Ø21/43x5
11	4731 23 26 01	Mutter M6M 20- 8 FZB	Nut ISO - 4032 - M20
12	4165 96298 00	Låstapp, Ø30x70	Locking pin, Ø30x70
13	4725 25 32 51	Skruv M6S 12x 20- 8.8 FZB	Bolt ISO 4014 - M12 x 20-8.8 FZB
14	4165 22125 00	Bricka, Ø30/37x6	Washer, Ø30/37x6
15	4165 35683 00	Skyddsslang, Ø59,4/63x500	Protective hose, Ø59,4/63x500
16	4165 95710 90	Ram DX 490 F/H	Frame DX 490 F/H
17	4165 94876 90	Ram DX 590 F/H	Frame DX 590 F/H
18	4165 20528 90	Ram DX 690 F	Frame DX 690 F
19	4165 96314 90	Ram DX 4100 F/H	Frame DX 4100 F/H
20	4165 96315 90	Ram DX 5100 F/H	Frame DX 5100 F/H
21	4165 98311 90	Ram DX 4100 FD	Frame DX 4100 FD
22	4165 98312 90	Ram DX 5100 FD	Frame DX 5100 FD
23	4165 95840 90	Dragbom DX	Draw bar DX
24	4165 20525 90	Dragbom DX690F, 5100H	Draw bar DX690F, 5100H
25	4165 98309 90	Dragbom med 2st skivristfästen	Draw bar with 2 disc coultter brackets
26	4165 83587 00	Bricka, Ø20,5/38,5x8	Washer, Ø20,5/38,5x8
27	4165 85884 00	Bricka, Ø17/38x10	Washer, Ø17/38x10
28	4165 90531 00	Skruv M20x215-12.9 MW	Bolt M20x215-12.9 MW
29	4165 90856 00	Skruv M16x215-12.9 MW	Bolt M16x215-12.9 MW
30	4165 03607 07	Mutter M6M 20-12 MW	Nut ISO 4032-20-12 MW
31	4165 03607 05	Mutter M6M 16-12 MW	Nut ISO 4032-16-12 MW
32	4725 27 01 91	Skruv M6S 20x240-12.9 MW	Bolt ISO 4014 - M20 x 240-12.9 MW
33	4725 26 53 81	Skruv M6S 16x200-10.9 MW	Bolt ISO 4014 - M16 x200-10.9 MW
34	4731 23 24 51	Mutter M6M 16-10 MW	Nut ISO-4032 M16-10 MW
35	4165 98635 00	Plastplugg, Ø16,5	Protective cap, Ø16,5
36	4165 86711 00	Plognyckel, NV 24/30	Plough wrench, KW 24/30
37	4165 85763 00	Härnålssprint, Ø3,5	Cotter pin, Ø3,5
38	4165 24293 60	Lyffäste, Ø16,5	Lifting device, Ø16,5
39	4165 99002 90	Åsfäste VP12	Beam house
40	4165 22811 00	Dekal: Lyfftpunkt	Decal: Lifting point

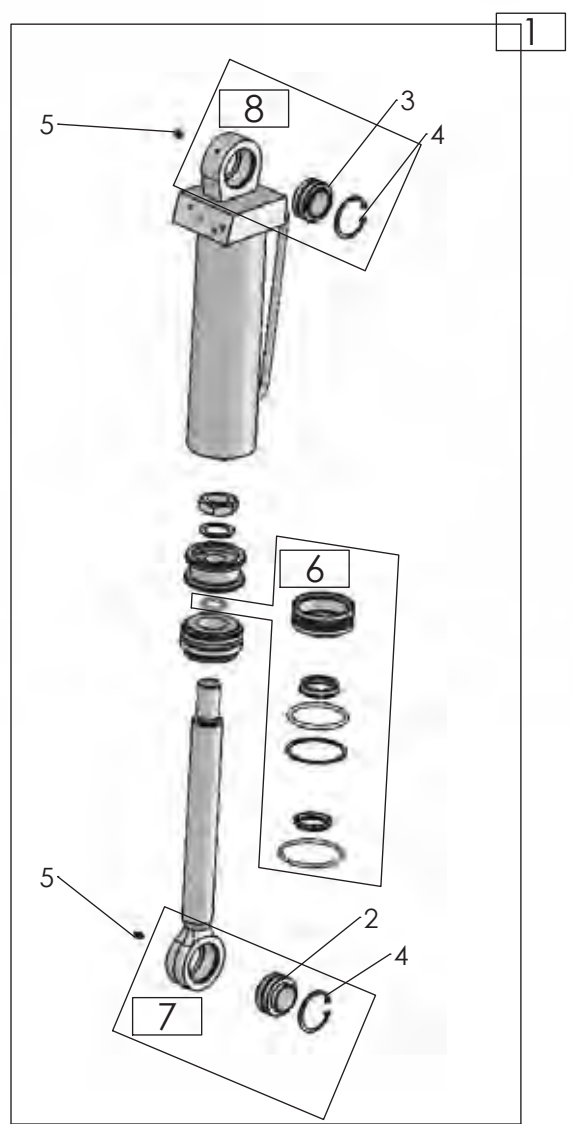


Pos nr/ Ref No	Detalj nr/ Part No	Benämning	Description
1426 Ö		VÄNDCYLINDER	TURNING CYLINDER
1	4165 25514 50	Vändcylinder M03, utan ventil	Turning cylinder M03, without valve
2	4165 25511 50	Ventilblock PP DMV5-105603	Valve block PP DMV5-105603
3	4165 94417 00	Gummistålbricka, G3/8	Bonded seal, G3/8
4	4165 98835 00	Hydraulslang 3/8, L=1500	Hydraulic hose 3/8, L=1500
5	4165 92434 00	Rak adapt, 3/8" - 3/8"	Stright union, 3/8" - 3/8"
6	4165 74814 00	Handel 1/2"	Quick coupling M, 1/2"
7	4165 78383 00	Handelsskydd	Protective cap
8	4165 80316 00	Gummistålbricka, G1/2	Bonded seal, G1/2
9	4725 54 63 91	Skruv MC6S 8x 60-12.9 MW	Screw ISO 4762- 8x 60-12.9 MW
10	4740 43 07 00	O-ring, OR 9.3x2.4	O-ring, OR 9.3x2.4
12	4165 34351 00	Slanghållare	Hosebracket
13	4725 24 49 51	Skruv M6S 8x 16- 8.8 FZB	Bolt ISO 4014 - M8 x 16-8.8 FZB
14	4165 26080 00	Backventilsats	Check valve set

Pos nr/ Ref No	Detalj nr/ Part No	Benämning	Description
1	4165 25514 50	Vändcylinder M03, utan ventil	Turning cylinder M03, without valve
2	4165 91308 01	Ledlager breddad innerring	Bearing
3	4165 86405 03	Ledlager, Ø35	Spherical plain bearing, Ø35
4	4735 31 44 11	Spårring SgH 55 FZB	Circlip DIN 472 - 55 x 2
5	4738 88 10 01	Smörjnippel, AH M6 FZB	Grease nipple, AH M6 FZB
6	4165 94668 00	Packningssats till vändcylinder	Seal kit for turn over cylinder
7	4165 20585 00	Kolvstångsöra, kompl	Rod piston ear compl.
8	4165 96945 00	Cylinderöra Power Packer	Welding part ear

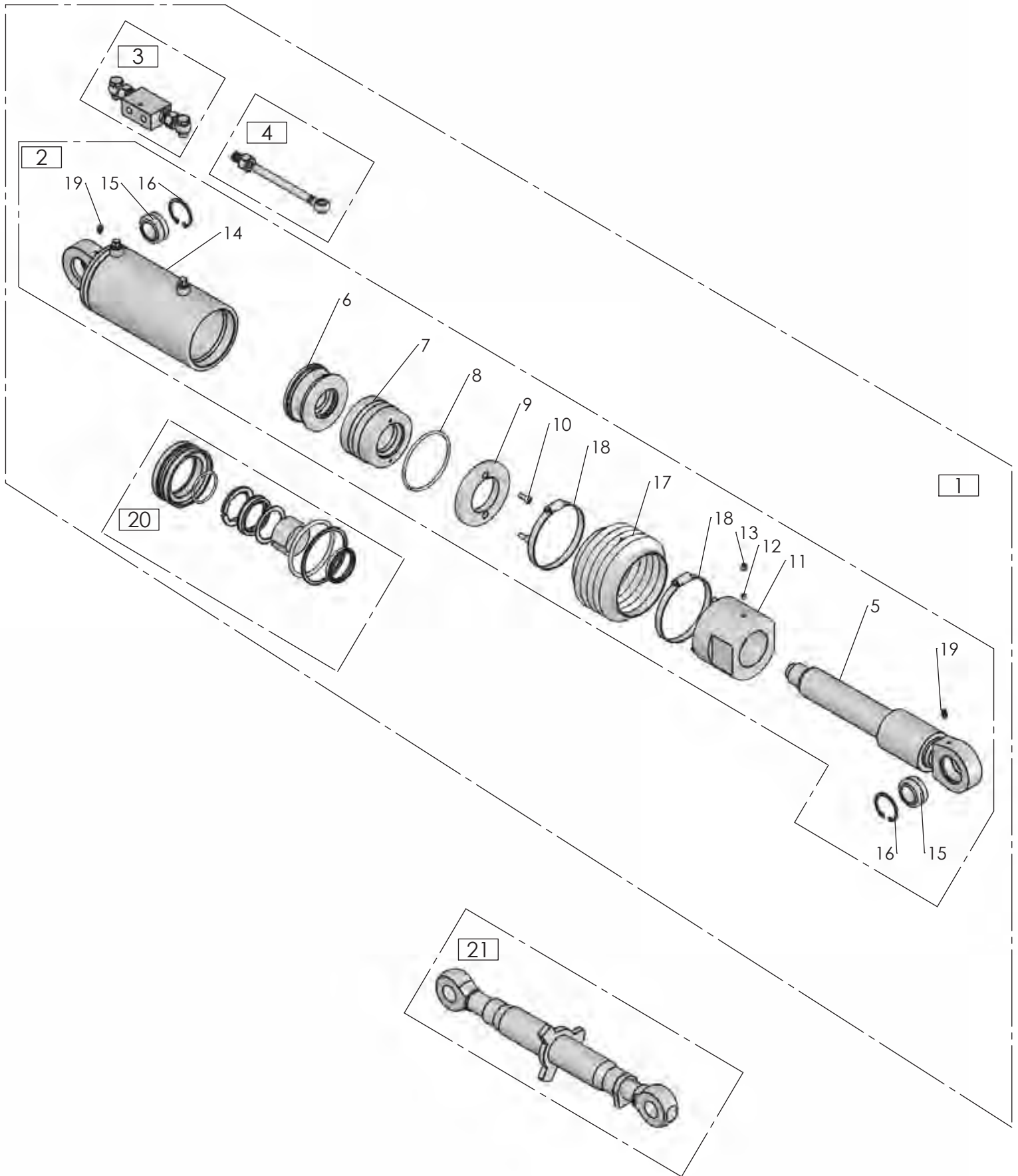


1425

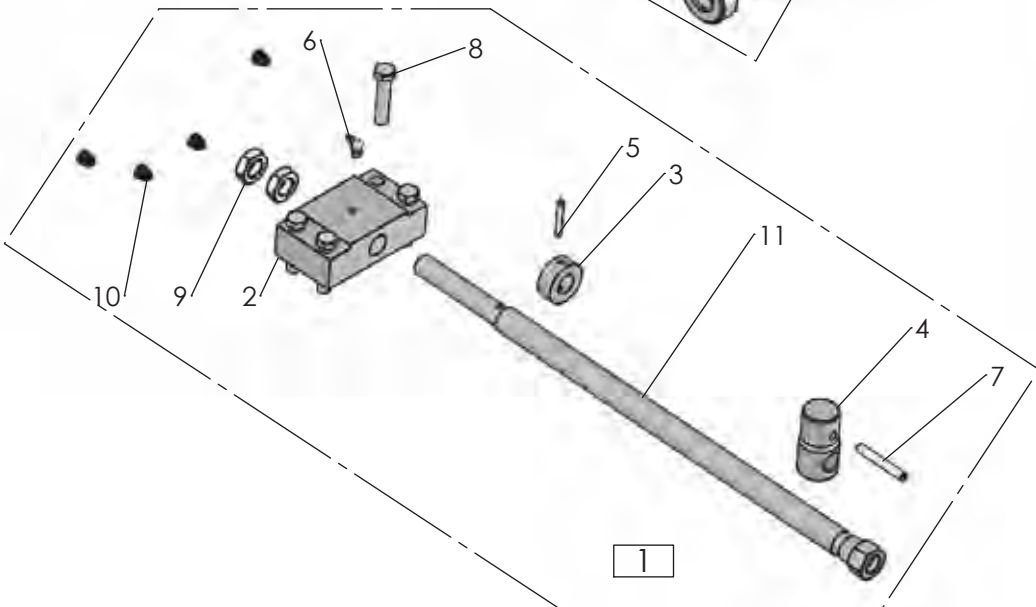
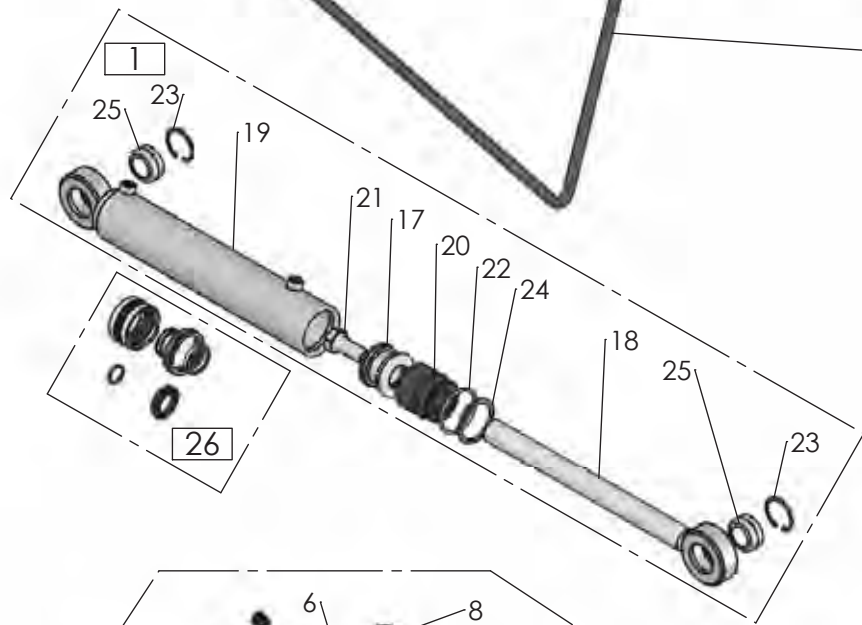
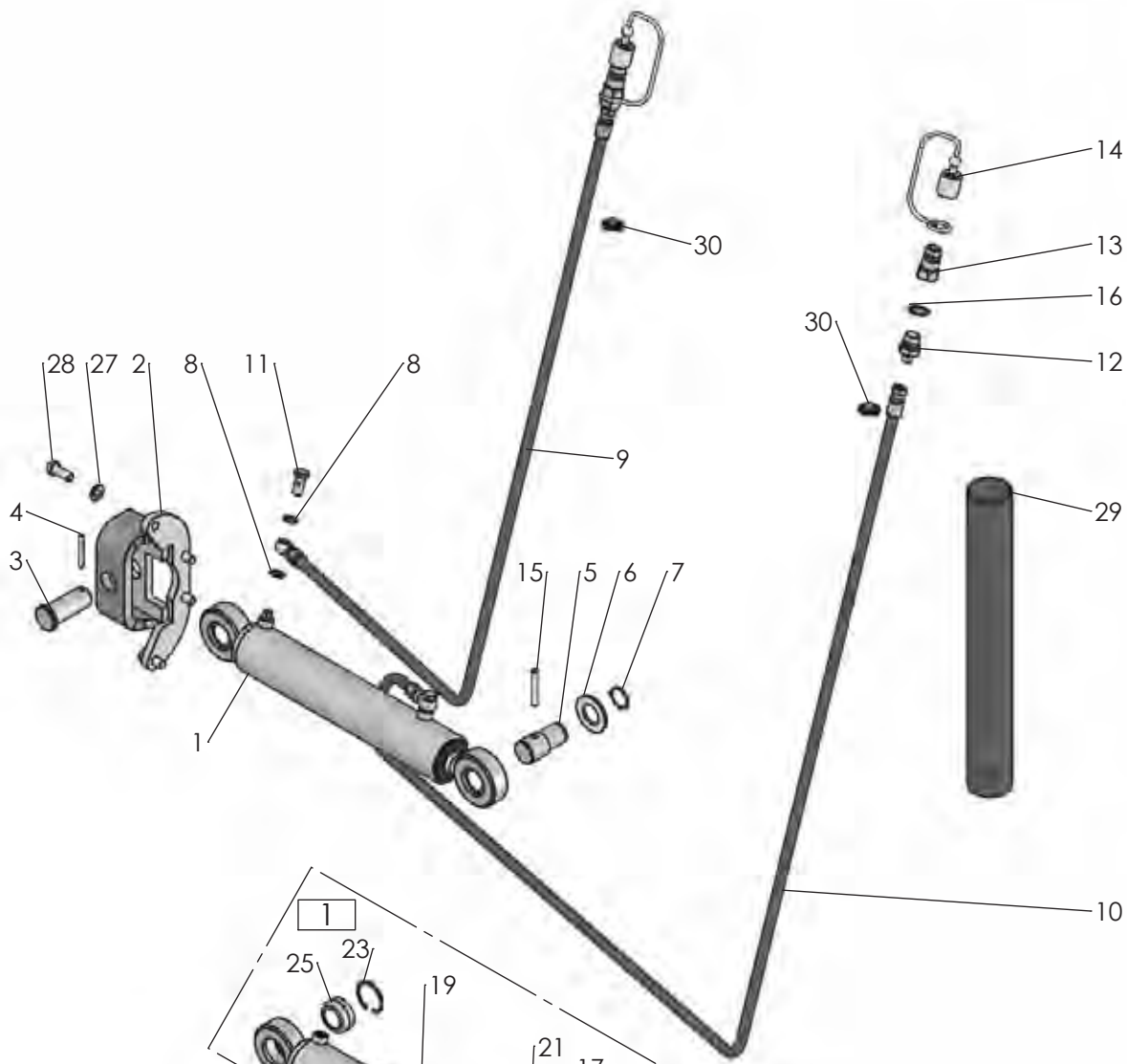


Pos nr/ Ref No	Detalj nr/ Part No	Benämning	Description
1425 Ö	36462	HYDRAULISK UTRÄTNING DX	HYDRAULIC ALIGNMENT DX
1	4165 25514 50	Vändcylinder M03, utan ventil	Turning cylinder M03, without valve
2	4165 27004 50	Ventilblock Forhydro RFM-2CL	Hydraulic block Forhydro RFM-2CL
3	4165 27009 50	Ventilblock Forhydro	Hydraulic block Forhydro
4	4165 94417 00	Gummistålbricka, G3/8	Bonded seal, G3/8
5	4165 92434 00	Rak adapt, 3/8" - 3/8"	Stright union, 3/8" - 3/8"
6	4165 26639 00	Ventilfäste	Valve bracket
7	4731 23 18 01	Mutter M6M 8- 8 FZB	Hexagon Nut ISO - 4032 - M8-8 FZB
8	4725 24 49 51	Skruv M6S 8x 16- 8.8 FZB	Bolt ISO 4014 - M8 x 16-8.8 FZB
9	4165 21429 00	Hydraulslang, L=600	Hydraulic hose, L=600
10	4165 21705 00	Hydraulslang, L=1500	Hydraulic hose, L=1500
11	4165 95774 00	Banjoskruv 3/8"	Banjo bolt 3/8"
12	4165 92438 00	Rak adapt, 1/2" - 3/8"	Stright union
13	4165 74814 00	Handel 1/2"	Quick coupling M, 1/2"
14	4165 78383 00	Handelsskydd	Protective cap
15	4165 24450 00	Hydraulslang, L=1750	Hydraulic hose, L=1750
16	4165 12983 01	Gummistålbricka, G1/4"	Bonded seal, G1/4
17	4165 23339 00	Banjoskruv 1/4" L=28	Banjo bolt
18	4165 80316 00	Gummistålbricka, G1/2	Bonded seal, G1/2
19	4165 34351 00	Slanghållare	Hosebracket
20	4725 24 53 51	Skruv M6S 8x 25- 8.8 FZB	Bolt ISO 4014 - M8 x 25-8.8 FZB
21	4725 54 64 01	Skruv MC6S 8x 65- 8.8 FZB	Bolt ISO 4762- M8x65- 8.8 FZB
22	4725 54 65 01	Skruv MC6S 8x 70- 8.8 FZB	Bolt ISO 4762- M8x70- 8.8 FZB

Pos nr/ Ref No	Detalj nr/ Part No	Benämning	Description
1	4165 25514 50	Vändcylinder M03, utan ventil	Turning cylinder M03, without valve
2	4165 91308 01	Ledlager breddad innerring	Bearing
3	4165 86405 03	Ledlager, Ø35	Spherical plain bearing, Ø35
4	4735 31 44 11	Spårring SgH 55 FZB	Circlip DIN 472 - 55 x 2
5	4738 88 10 01	Smörjnippel, AH M6 FZB	Grease nipple, AH M6 FZB
6	4165 94668 00	Packningssats till vändcylinder	Seal kit for turn over cylinder
7	4165 20585 00	Kolvstångsöra, kompl	Rod piston ear compl.
8	4165 96945 00	Cylinderöra Power Packer	Welding part ear

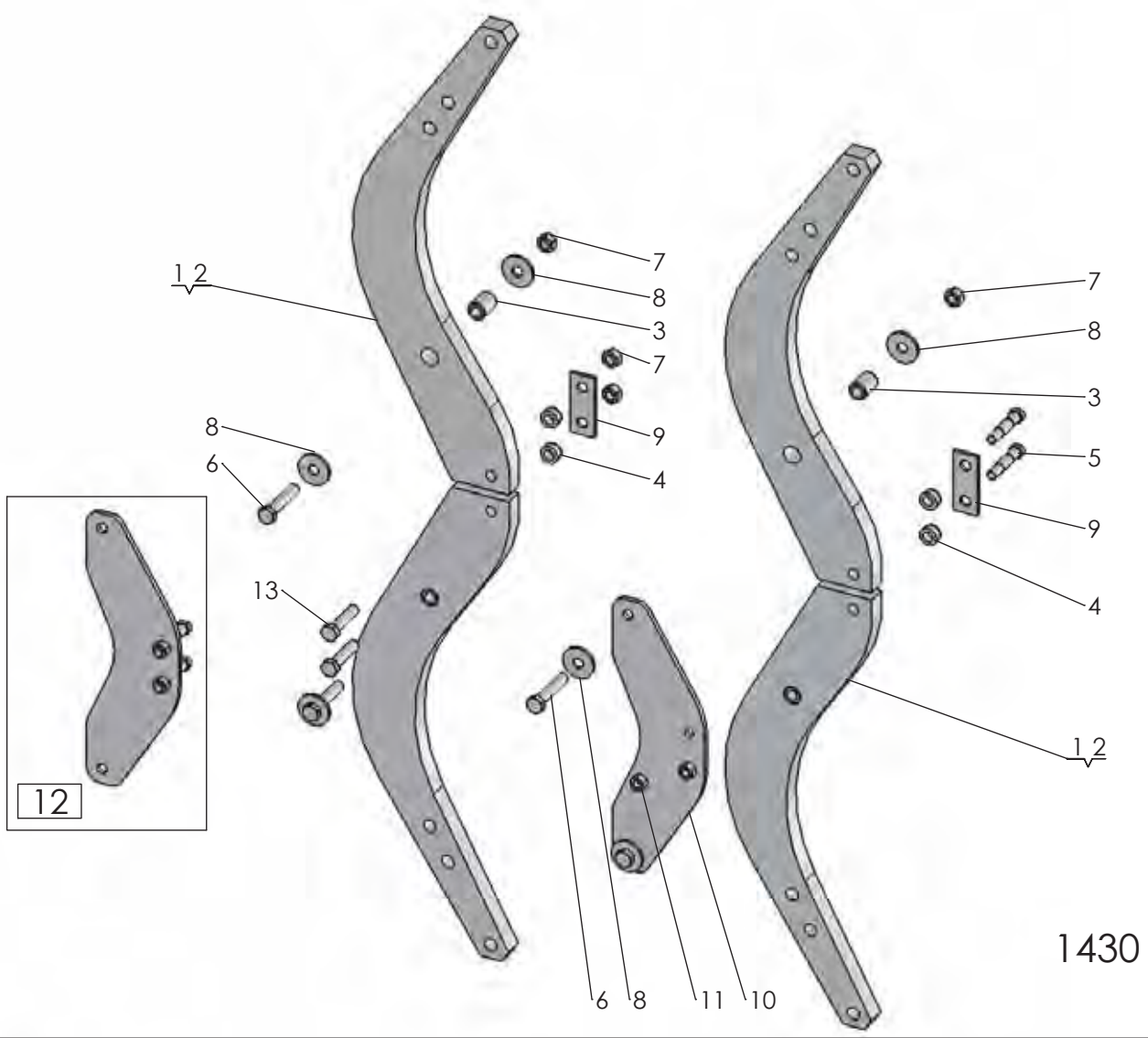


Pos nr/ Ref No	Detalj nr/ Part No	Benämning	Description
1612 Ö	24298	UTRÄTNING DX	ALIGNMENT DX
1	4165 24298 00	Hydraulcylinder med backventil	Hydraulic cylinder with check valve
2	4165 98743 50	Hydraulcylinder DV, Ø100/50x90	Hydraulic cylinder DA, Ø100/50x90
3	4165 23940 00	Pilotstyrd backventil, L=150	Pilot operated check valve, L=150
4	4165 27753 00	Stolpe, mutter, skärring	Rack, nut, olive
5	4165 98747 00	Kolvstång Ø50, kompl	Piston rod Ø50, cpl
6	4165 93826 00	Kolv, Ø100/50	Piston, Ø100/50
7	4165 93827 00	Styrning, Ø100/50	Guide, Ø100/50
8	4165 89176 00	Låsring, Ø100	Retaining ring, Ø100
9	4165 93829 50	Låsbricka	Lock washer
10	4725 53 68 01	Skruv MC6S 6x 16- 8.8 FZB	Bolt ISO 4762 M6 x 16-8.8 FZB
11	4165 93831 00	Ställhylsa, M70	Adjustment sleeve, M70
12	4165 94569 00	Friktionsstav, Ø6	Friction pin, Ø6
13	4728 84 43 01	Skruv SK6SS 8x 8 FZB	Bolt ISO 4029-M 8x 8
14	4165 23976 50	Cylinderrör Ø100, kompl	Cylinder tube Ø100, cpl
15	4165 86405 02	Ledlager, Ø30	Spherical plain bearing, Ø30
16	4735 31 40 11	Spårring SgH 47 FZB	Circlip DIN 472 - 47 x 1.75
17	4165 22368 00	Skyddsbalg	Bellow
18	4736 28 52 90	Slangklämma, Ø112	Hose clamp, Ø112
19	4738 88 10 01	Smörjnippel, AH M6 FZB	Grease nipple, AH M6 FZB
20	4165 93841 00	Packningssats, Ø100/50	Sealing kit, Ø100/50
21	4165 95916 00	Vantskruv, L=400-615	Turnbuckle, L=400-615

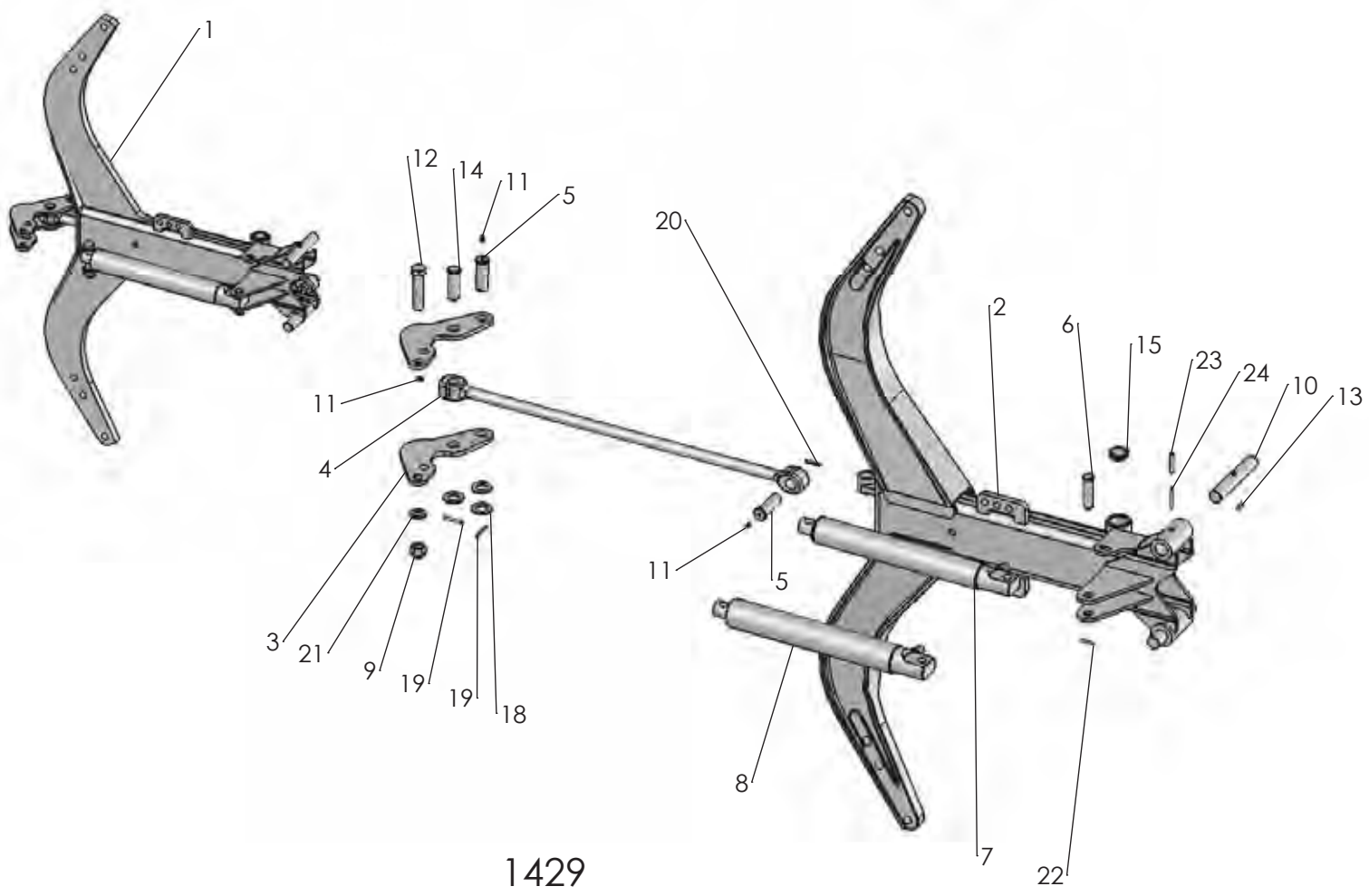


Pos nr/ Ref No	Detalj nr/ Part No	Benämning	Description
1611 Ö1	4165 96366-00	HYDRAULISK 1: TILTA JUSTERING	HYDRAULIC 1:ST FURROW ADJUSTMENT
1	4165 85606 50	Hydraulicylinder DV, Ø63/32x270,5	Hydraulic cylinder DA, Ø63/32x270,5
2	4165 23950 90	Cylinderhållare	Bracket
3	4165 85469 00	Cylindrisk bult, Ø30x74	Headed clevis pin, Ø30x74
4	4721 43 50 01	Fjädrande rörpinne FRP 6x 55 FZB	Spring Pin ISO 8752 - 6 x 55 FZB
5	4165 97102 00	Cylindertapp	Cylinder pin
6	4734 12 04 01	Bricka BRB 31x 56 FZB	Washer ISO 7089 - 30
7	4735 31 30 01	Spårring SgA 30 FZB	Circlip DIN 471 - 30 x 1.5
8	4165 12983 01	Gummistålbricka, G1/4"	Bonded seal, G1/4
9	4165 23340 00	Hydraulslang 1/4, L=2250	Hydraulic hose 1/4, L=2250
10	4165 23341 00	Hydraulslang, L=2700	Hydraulic hose, L=2700
11	4165 23339 00	Banjoskruv 1/4" L=28	Banjo bolt
12	4165 77231 00	Rak adapt 1/2" - 1/4"	Stright union
13	4165 74814 00	Handel 1/2"	Quick coupling M, 1/2"
14	4165 78383 00	Handelsskydd	Protective cap
15	4721 43 87 01	Fjädrande rörpinne FRP 8x 60 FZB	Spring pin ISO 8752 8x60 FZB
16	4165 80316 00	Gummistålbricka, G1/2	Bonded seal, G1/2
17	4165 86556 00	Kolv, Ø63	Piston, Ø63
18	4165 86553 50	Kolvstång Ø32, kompl	Piston rod Ø32, cpl
19	4165 23346 50	Cylinderrör Ø63/73, kompl	Cylinder tube, Ø63/73, cpl
20	4165 86558 00	Styrning, Ø63/32	Guide, Ø63/32
21	4725 26 74 51	Skruv M6S 20x 50- 8.8 FZB	Bolt ISO 4014 - M20 x 50-8.8 FZB
22	4165 86550 00	Låsringshalvor för cyl Ø63	Locking halves for cyl Ø63
23	4735 31 40 11	Spårring SgH 47 FZB	Circlip DIN 472 - 47 x 1.75
24	4735 31 46 61	Spårring AV 58 FZB	Retaining ring AV 58 FZB
25	4165 86405 02	Ledlager, Ø30	Spherical plain bearing, Ø30
26	4165 86984 00	Packningssats, cyl Ø63/32	Kit of seals, cyl Ø63/32
27	4734 11 78 01	Bricka BRB 13x 24 FZB	Washer ISO 7089 - 12 FZB
28	4725 25 36 51	Skruv M6S 12x 30- 8.8 FZB	Bolt ISO 4014 - M12 x 30-8.8 FZB
29	4165 35683 00	Skyddsslang, Ø59,4/63x500	Protective hose, Ø59,4/63x500
30	4165 23588 00	Buntband blå, L=368	Cable tie blue, L=368

Pos nr/ Ref No	Detalj nr/ Part No	Benämning	Description
1611 Ö2	4165 95140-00	MEKANISK 1: TILTA JUSTERING	MECHANICAL 1:ST FURROW ADJUSTMENT
1	4165 95140 00	Mekanisk justering	Mechanical adjustment
2	4165 95143 00	Spindellås	Spindle lock
3	4165 95795 00	Stoppring, Ø20,25/42x16	Stop ring, Ø20,25/42x16
4	4165 95142 00	Spindeltapp	Pivot pin
5	4721 43 47 01	Fjädrande rörpinne FRP 6x 40 FZB	Spring Pin ISO 8752 - 6 x 40 FZB
6	4738 88 80 03	Smörjnippel, CM 8x1,25 FZB	Grease nipple, CM 8x1,25 FZB
7	4721 43 87 01	Fjädrande rörpinne FRP 8x 60 FZB	Spring pin ISO 8752 8x60 FZB
8	4725 25 43 51	Skruv M6S 12x 55- 8.8 FZB	Bolt ISO 4014 - M12 x 55-8.8 FZB
9	4731 43 26 01	Mutter ML6M 20- 5 FZB	Hexagon Thin Nut ISO - 4035 - M20
10	4165 23784 00	Plastplugg, Ø13	Protective cap, Ø13
11	4165 95139 00	Spindelskruv	Bolt



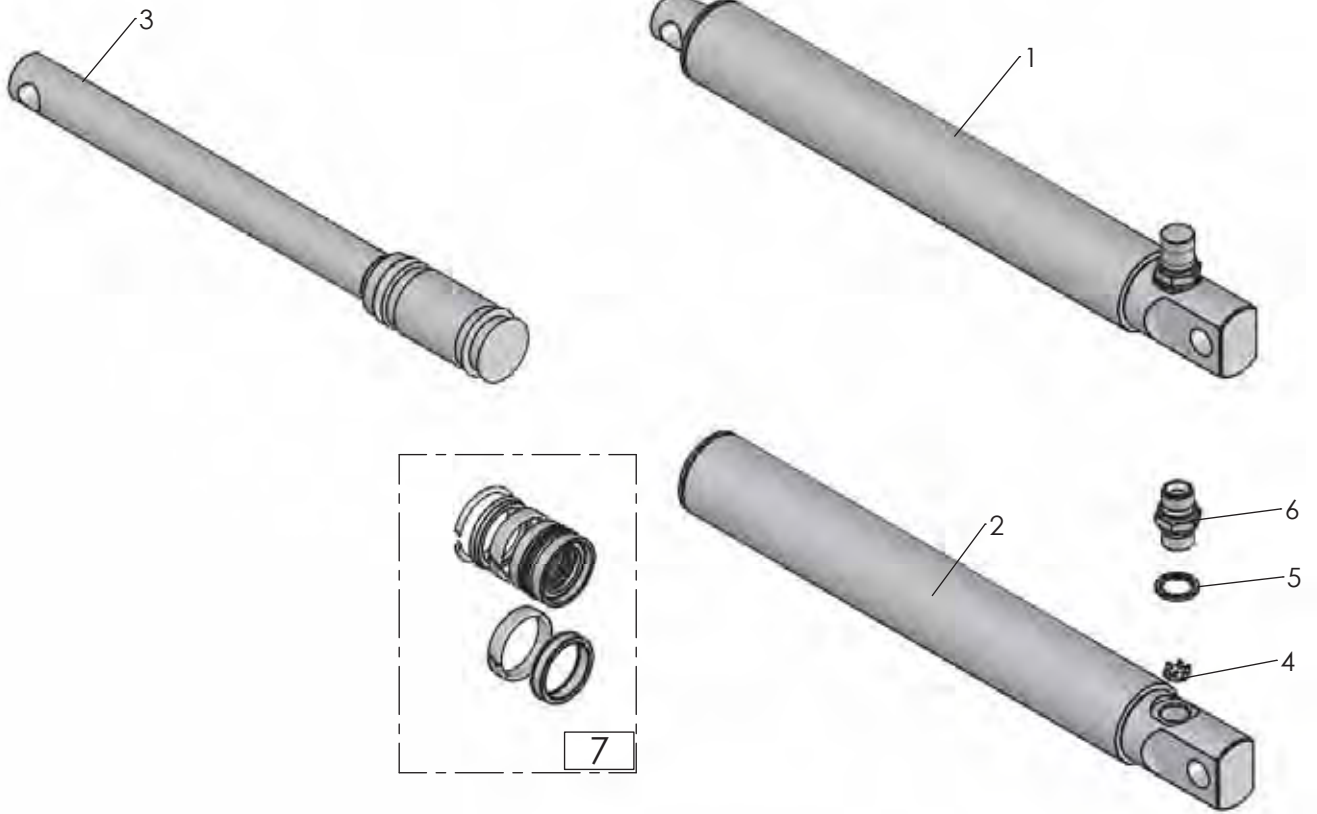
1430



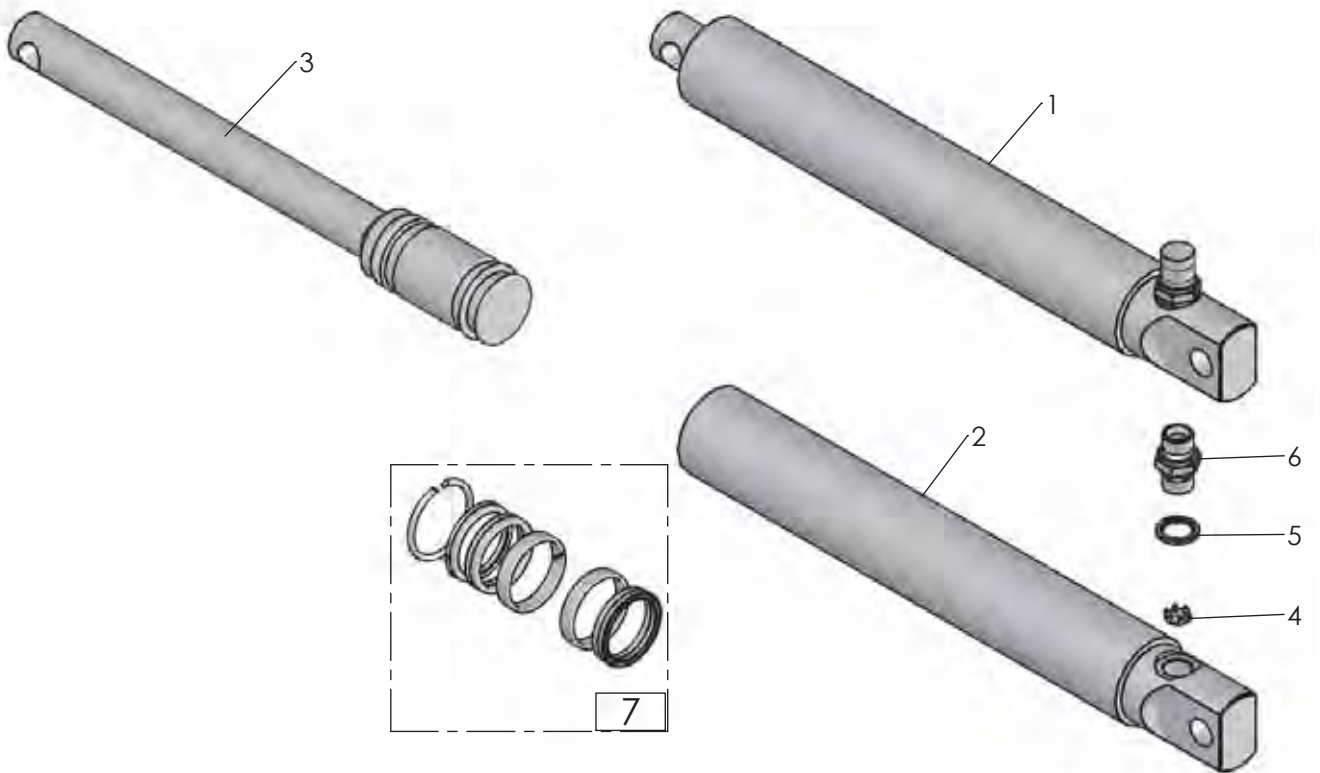
1429

Pos nr/ Ref No	Detalj nr/ Part No	Benämning	Description
1430 Ö		ÅS, BRYTBULT	BEAM, SHEARBOLT
1	4165 92127 90	Åsben 750 T30	Beam 750 T30
2	4165 94544 90	Åsben 800 T 30	Beam 800 T 30
3	4165 86240 08	Fjädrande rörpinne FRP 28x 40	Spring pin DIN 1481 S Ø28x 40
4	4165 91406 00	Hylsa, 16,5/28x14	Sleeve, 16,5/28x14
5	4165 31041 00	Brytbult, M14	Shear bolt, M14
6	4725 26 36 81	Skruv M6S 16x 80-10.9 MW	Bolt ISO 4014 M16x80 -10.9 MW
7	4165 03604 05	Mutter M6M 16-10 FZB	Nut DIN 934 M16-10 FZB
8	4165 86433 00	Bricka, Ø17/50x5	Washer, Ø17/50x5
9	4165 91403 00	Bricka fyrkant, Ø17x100x40x6	Square washer, Ø17x100x40x6
10	4165 30827 40	Stödplåt fast åskomp, M14	Support plate fixed beam, M14
11	4731 23 23 01	Mutter M6M 14- 8 FZB	Nut ISO - 4032 - M14-8 FZB
12	4165 30832 00	Brytbults kit M14	Sheare bult kit M14
13	4165 91399 00	Brytbult M16x70 MW	Shear bolt M16x70 MW

Pos nr/ Ref No	Detalj nr/ Part No	Benämning	Description
1429 Ö		ÅS, AUTOMATISK	BEAM, AUTOMATIC
1	4165 86043 90	Ås, komplett, låg automat Överum	Beam short Överum
2	4165 96112 90	Automatås hög (800)	Beam (800)
3	4165 21555 90	Hävarm (bumerang) Överum	Walking beam Överum
4	4165 25902 50	Dragstång L=843	Draw rod, L=843
5	4165 86079 00	Tapp för åskomponent	Pin for beam
6	4165 72399 01	Cylindrisk bult, Ø20x75,5	Headed clevis pin, Ø20x75,5
7	4165 21550 50	Hydraulcylinder EV, Ø50/38x293	Hydraulic cylinder SA, Ø50/38x293
8	4165 26350 50	Hydraulcylinder EV, Ø55x35x293	Hydraulic cylinder SA, Ø55x35x293
9	4165 03650 07	Mutter M6M 20 NF-10 MW	Nut ISO-7040-M20-10 MW
10	4165 86044 00	Tapp, Ø30x175	Pin, Ø30x175
11	4738 88 20 03	Smörjnippel, AM 8x1,25 FZB	Grease nipple, AM 8x1,25 FZB
12	4165 91945 00	Skruv M6S 20x 95-10.9 MW	Bolt M6S 20x 95-10.9 MW
13	4165 98096 00	Cylindrisk pinne CPK m6 10x20	Cylindrical pin CPK m6 10x20
14	4165 25914 00	Cylindrisk bult, Ø25x73	Clevis pin, Ø25x73
15	4165 23869 00	Skyddsplugg, Ø37-40,4	Protective cap, Ø37-40,4
18	4734 12 00 01	Bricka BRB 26x 45 FZB	Washer 26x45-200 HV
19	4721 43 48 01	Fjädrande rörpinne FRP 6x 45 FZB	Spring Pin ISO 8752 - 6 x 45
20	4721 43 46 01	Fjädrande rörpinne FRP 6x 36 FZB	Spring Pin ISO 8752 - 6 x 36 FZB
21	4734 11 92 01	Bricka BRB 21x 37 FZB	Washer ISO 7089-M20-200 HV
22	4721 42 62 01	Fjädrande rörpinne FRP 4x 32 FZB	Spring Pin ISO 8752 - 4 x 32 FZB
23	4721 43 85 10	Fjädrande rörpinne FRP 8x 50 MW	Spring Pin ISO 8752 - 8 x 50 MW
24	4721 43 18 10	Fjädrande rörpinne FRP 5x 50 MW	Spring Pin ISO 8752 - 5 x 50 MW



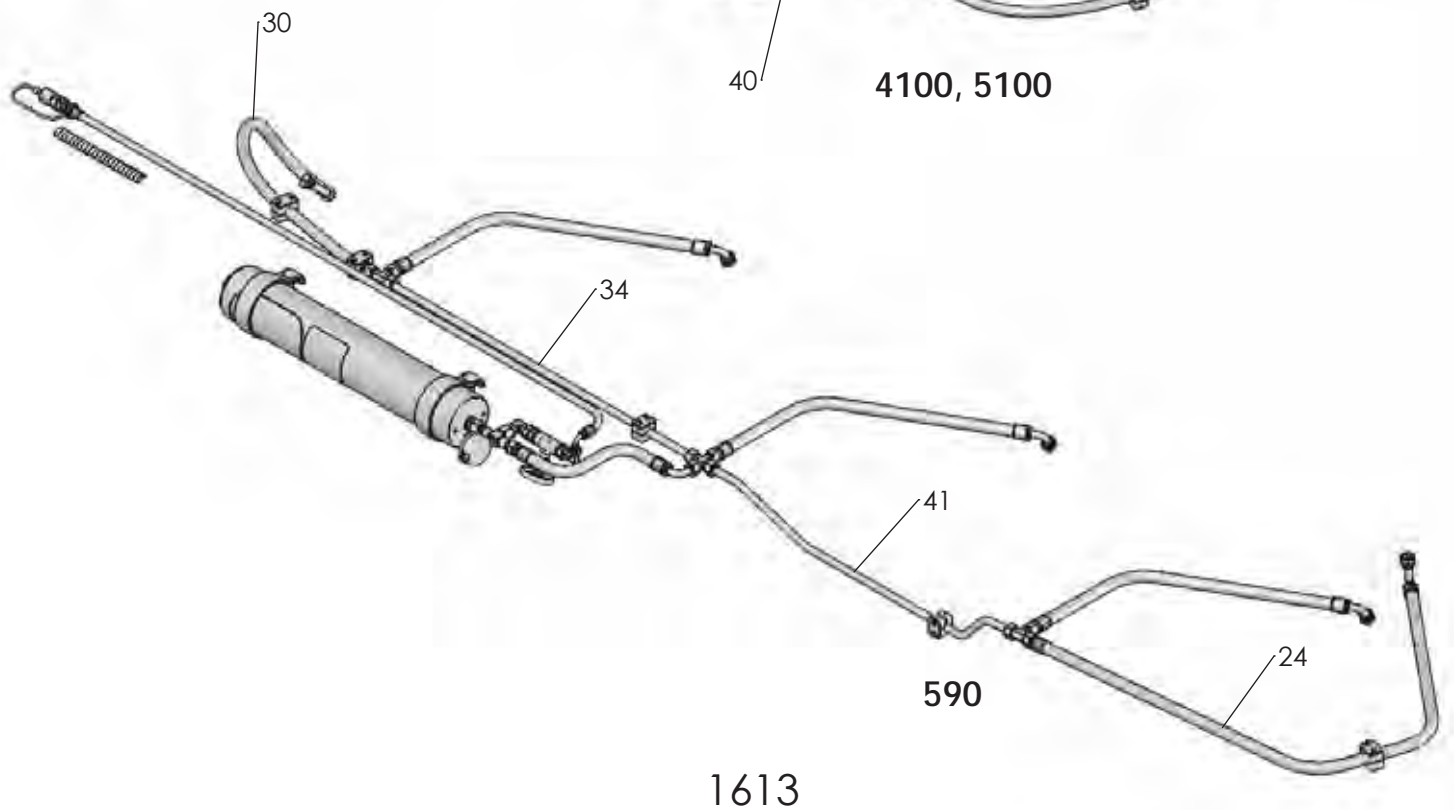
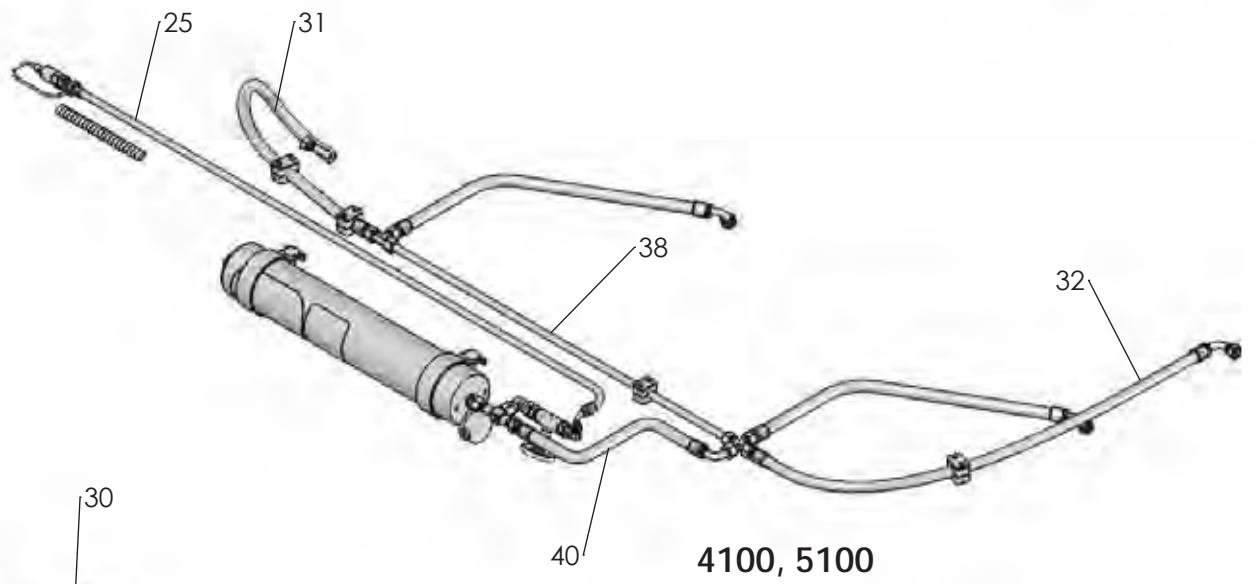
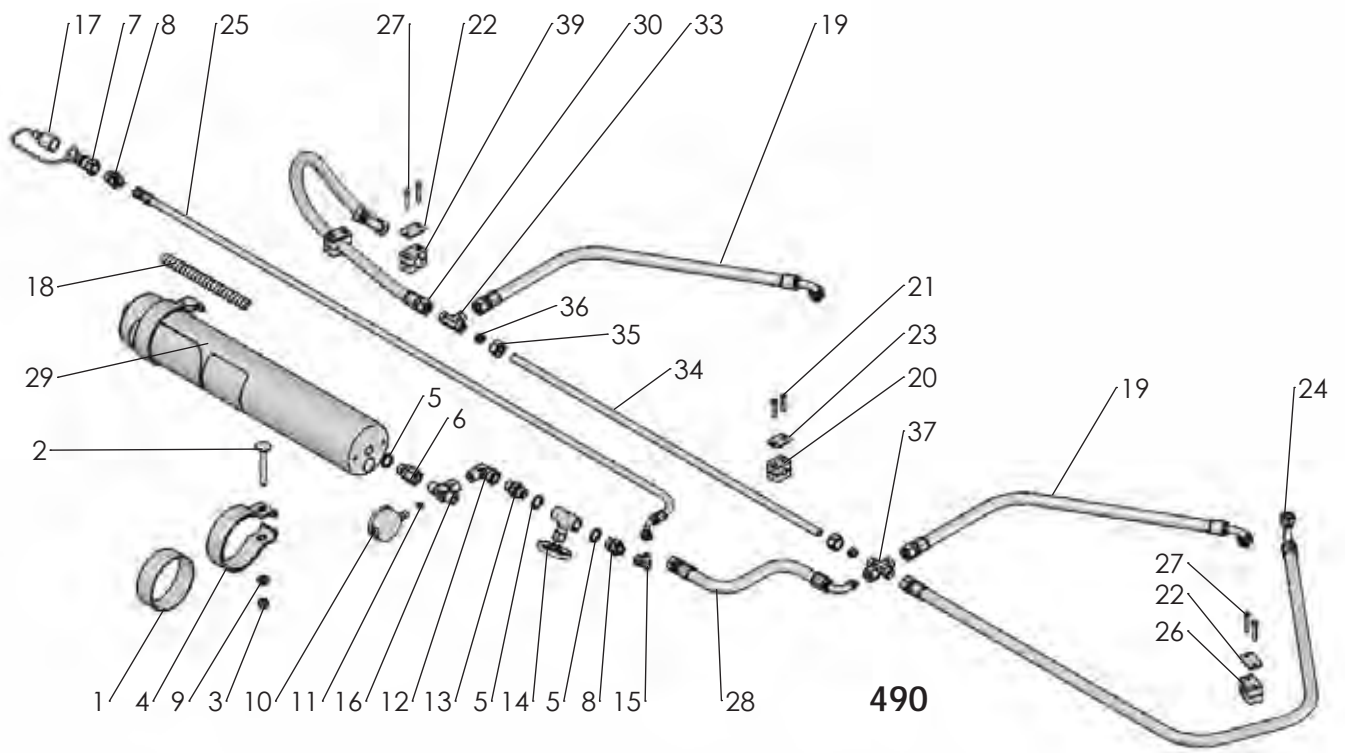
1280



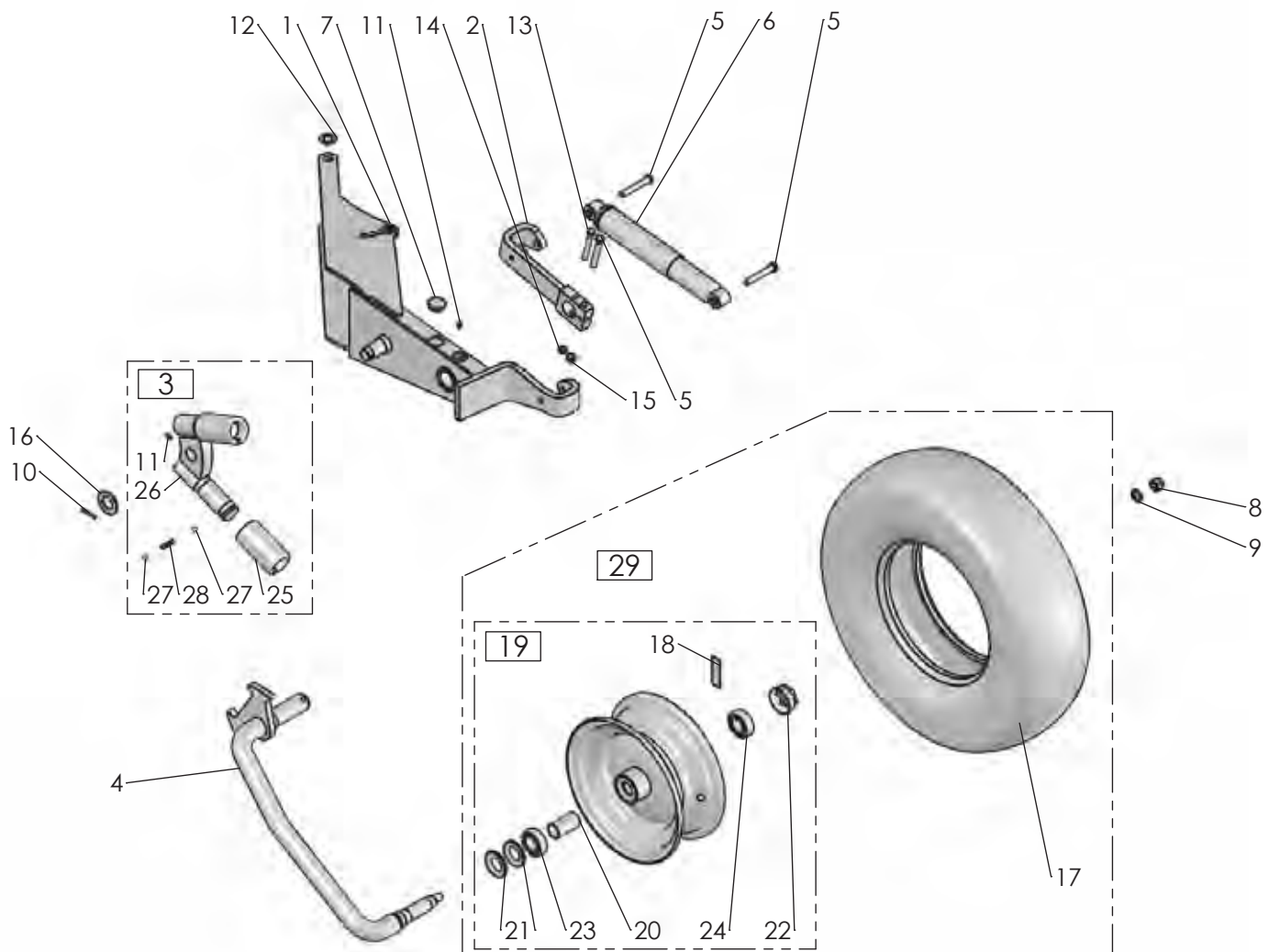
1281

Pos nr/ Ref No	Detalj nr/ Part No	Benämning	Description
1280 Ö		HYDRAULISK STENSÄKRINGSCYLINDER Ø50	HYDRAULIC STONE TRIP CYLINDER Ø50
1	4165 21550 50	Hydraulcylinder EV, Ø50/38x293	Hydraulic cylinder SA, Ø50/38x293
2	4165 21551 50	Cylinderrör, Ø50	Cylinder tube, Ø50
3	4165 23802 50	Kolvstång, komplett Ø50	Piston rod Ø50, cpl
4	4165 77852 00	Ventilkägla, Ø2,2	Restrictor valve, Ø2,2
5	4165 80316 00	Gummistålbricka, G1/2	Bonded seal, G1/2
6	4165 80317 00	Rak adapt, 1/2-1/2	Union
7	4165 86256 00	Packningssats cyl Ø50	Sealing kit for cyl Ø50

Pos nr/ Ref No	Detalj nr/ Part No	Benämning	Description
1281 Ö		HYDRAULISK STENSÄKRINGSCYLINDER Ø55	HYDRAULIC STONE TRIP CYLINDER Ø55
1	4165 26350 50	Hydraulcylinder EV, Ø55x35x293	Hydraulic cylinder SA, Ø55x35x293
2	4165 26453 50	Cylinderrör, Ø55/65, kompl	Cylinder tube, Ø55/65
3	4165 26455 50	Kolvstång Ø55, komplett	Piston rod Ø55, cpl
4	4165 77852 00	Ventilkägla, Ø2,2	Restrictor valve, Ø2,2
5	4165 80316 00	Gummistålbricka, G1/2	Bonded seal, G1/2
6	4165 80317 00	Rak adapt, 1/2-1/2	Union
7	4165 26459 00	Packningssats till 26350	Sealing kit for 26350

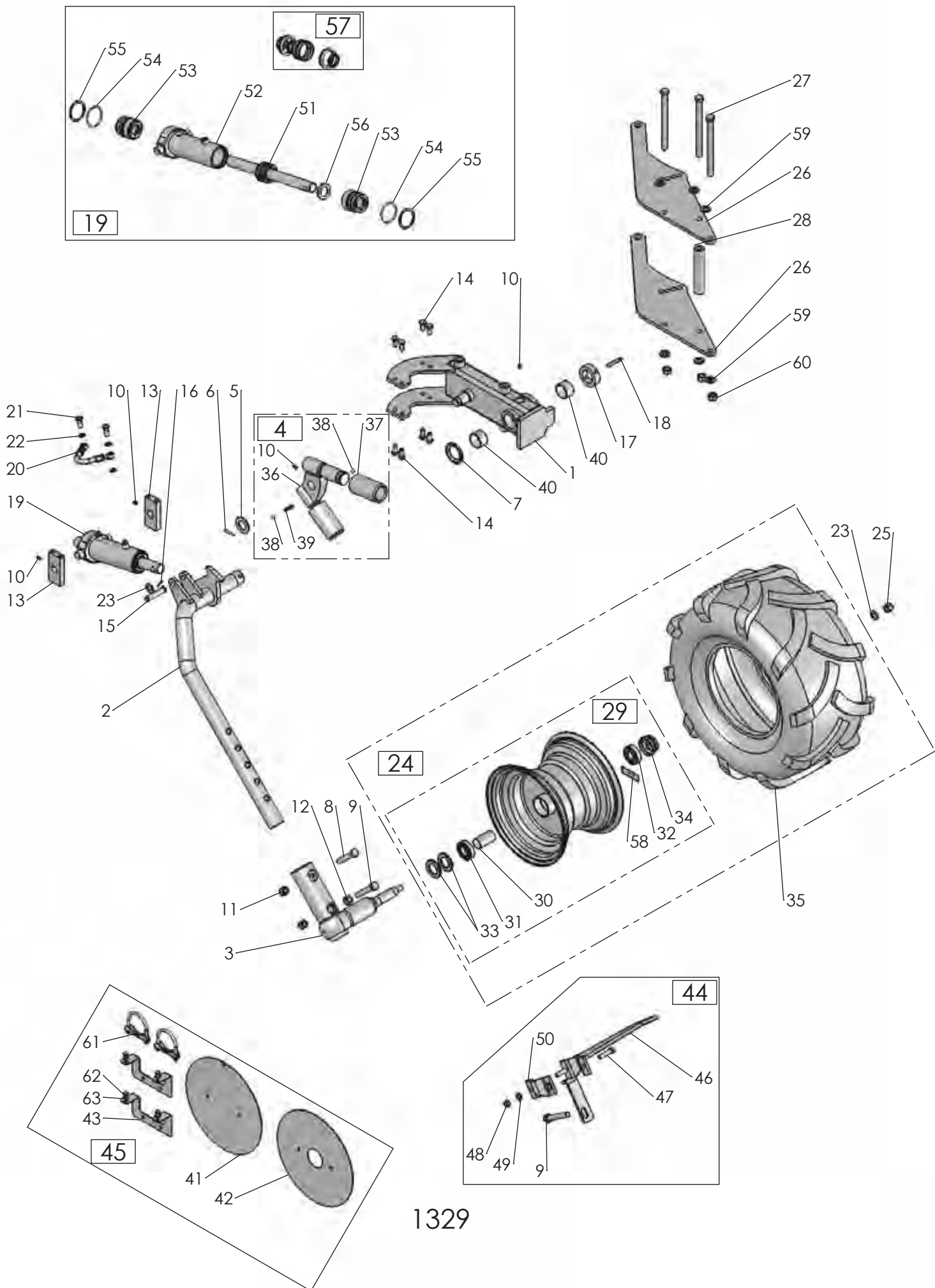


Pos nr/ Ref No	Detalj nr/ Part No	Benämning	Description
1613 Ö	35928	STENSÄKRING DX H	STONE PROTECTION DX H
1	4165 24842 02	Självhäftande list	Self adhesive list
2	4727 65 50 51	Skruv MVBF 12x 90- 8.8 FZB	Bolt ISO 8677-M12x90-8.8 FZB
3	4731 23 22 01	Mutter M6M 12- 8 FZB	Nut ISO - 4032 - M12-8 FZB
4	4165 33039 50	Akkumulatorfäste, Ø117	Akkumulator bracket, Ø117
5	4165 80316 00	Gummistålbricka, G1/2	Bonded seal, G1/2
6	4165 92138 00	Rakadapt, 1/2" - 1/2"	Union, 1/2" - 1/2"
7	4165 74814 00	Handel 1/2"	Quick coupling M, 1/2"
8	4165 77231 00	Rak adapt 1/2" - 1/4"	Stright union
9	4734 11 78 01	Bricka BRB 13x 24 FZB	Washer ISO 7089 - 12 FZB
10	4165 80750 00	Manometer	Pressure gauge
11	4165 78474 00	O-ring, OR 10,0x3	O-ring, OR 10,0x3
12	4165 77826 00	L-adapt 1/2"	L-union 1/2"
13	4165 65478 00	Rak adapt 1/2"	Union
14	4165 73057 00	Avstängningsventil (nålventil)	Shut of valve
15	4165 85636 00	L-adapt, 1/4"	L-Union, 1/4"
16	4165 77838 00	T-adapt 1/2"	T-union 1/2"
17	4165 78383 00	Handelsskydd	Protective cap
18	4165 92933 00	Plastspiral, L=250	Plastic spiral, L=250
19	4165 98851 00	Hydraulslang, L=690	Hydraulic hose, L=690
20	4165 91204 00	Klammerpar, Ø15	Tube clamps, Ø15
21	4725 23 76 51	Skruv M6S 6x 35- 8.8 FZB	Bolt ISO 4014 - M6 x 35-8.8 FZB
22	4165 91853 00	Täckplatta 33	Cover plate 33
23	4165 91205 00	Täckplatta 26	Covering plate 26
24	4165 98856 00	Hydraulslang, L=1500	Hydraulic hose, L=1500
25	4165 16606 60	Hydraulslang 1/4, L=3900	Hydraulic hose 1/4, L=3900
26	4165 94291 00	Klammerpar, Ø20	Tube clamps, Ø20
27	4725 23 78 51	Skruv M6S 6x 40- 8.8 FZB	Bolt ISO 4014 - M6 x 40-8.8 FZB
28	4165 20235 00	Hydraulslang, L=360	Hydraulic hose, L=360
29	4165 91938 50	Kolvackumulator 4l 9MPa, med dekal	Piston accumulator 4l 9MPa, with decal
30	4165 98852 00	Hydraulslang, L=1200	Hydraulic hose, L=1200
31	4165 20816 00	Hydraulslang, L=1340	Hydraulic hose, L=1340
32	4165 98857 00	Hydraulslang, L=1600	Hydraulic hose, L=1600
33	4165 75746 00	T-adapt, M22x1,5	T-union, M22x1,5
34	4165 91936 00	Hydraulrör, RH 15x2, L= 857	Hydraulic tube, RH 15x2, L=857
35	4165 75934 00	Mutter, M22x1,5	Nut, M22x1,5
36	4165 75935 00	Skärring Ø15	Cutting ring Ø15
37	4165 75928 00	X-adapt, M22x1,5	X-union, M22x1,5
38	4165 86276 00	Hydraulrör, RH 15x2, L= 958	Hydraulic tube, RH 15x2, L= 958
39	4165 34058 00	Klammerpar, Ø23	Tube clamps, Ø23
40	4165 93524 00	Hydraulslang, L=500	Hydraulic hose, L=500
41	4165 20444 00	Hydraulrör	Hydraulic tube



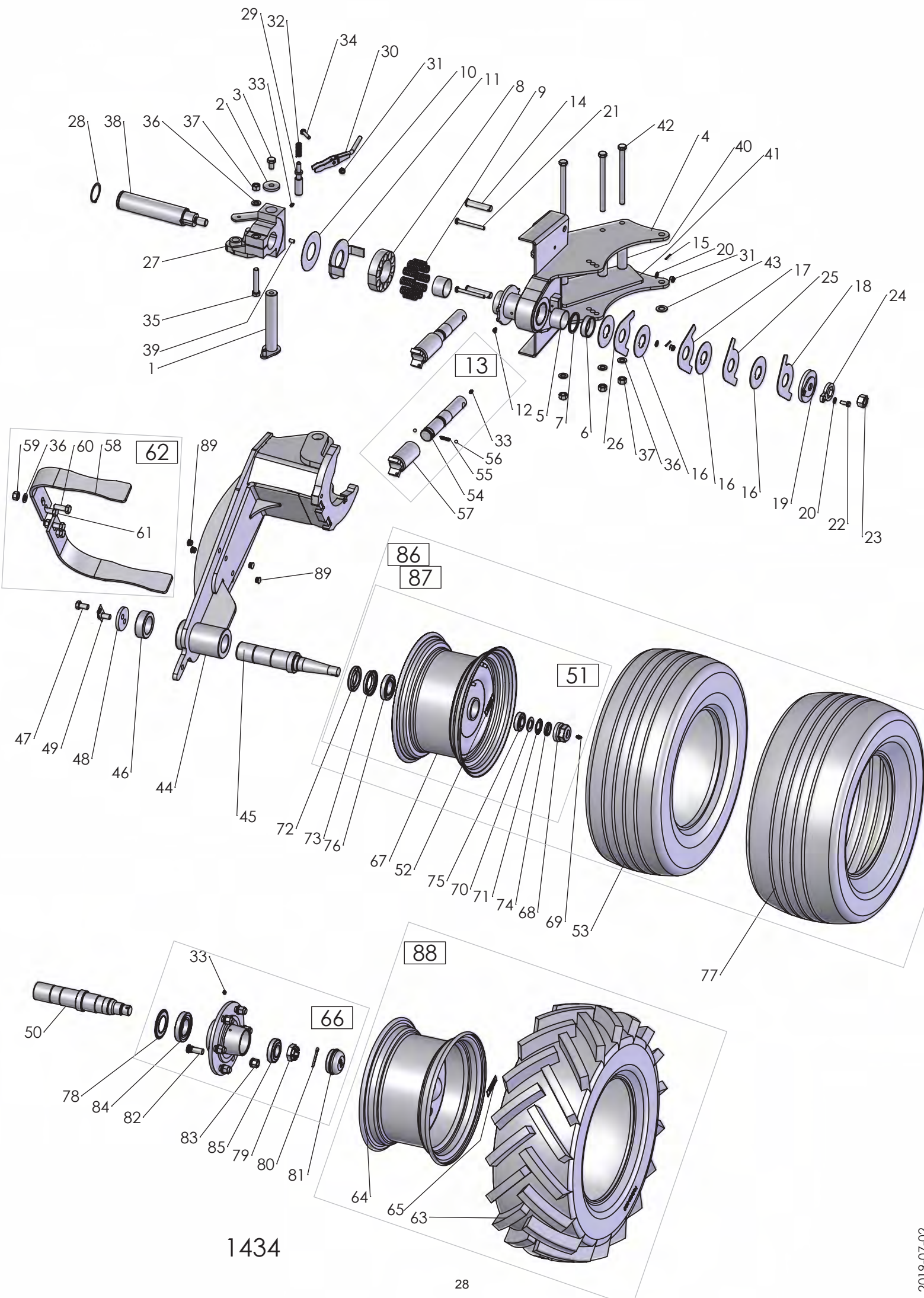
1614

Pos nr/ Ref No	Detalj nr/ Part No	Benämning	Description
1614 Ö	4165 91120-92	PENDELHJUL GUMMI	PENDELUM WHEEL RUBBER
1	4165 90175 90	Konsol	Bracket
2	4165 97270 90	Arm	Arm
3	4165 94946 00	Spärrkläpp	Catch cpl.
4	4165 93864 90	Hjulaxel	Wheel axle
5	4725 25 48 81	Skruv M6S 12x 80-10.9 MW	Bolt ISO 4014 - M12 x 80-10.9 MW
6	4165 86340 00	Stötdämpare	Shock absorber
7	4165 97372 00	Skyddsplugg, Ø34-38	Protective cap, Ø34-38
8	4732 21 24 51	Mutter M6M 16- 8 NF FZB	Nut ISO 7040-M16-8-NF FZB
9	4734 11 86 01	Bricka BRB 17x30 FZB	Washer ISO 7089 - 16
10	4721 43 47 01	Fjädrande rörpinne FRP 6x 40 FZB	Spring Pin ISO 8752 - 6 x 40 FZB
11	4738 88 20 03	Smörjnippel, AM 8x1,25 FZB	Grease nipple, AM 8x1,25 FZB
12	4734 11 92 01	Bricka BRB 21x 37 FZB	Washer ISO 7089-M20-200 HV
13	4725 25 07 51	Skruv M6S 10x 80- 8.8 FZB	Bolt ISO 4014-M10x80-8.8 FZB
14	4731 23 20 01	Mutter M6M 10- 8 FZB	Nut Hexagon Nut ISO - 4032 - M10-8 FZB
15	4731 23 22 51	Mutter M6M 12-10 MW	Nut ISO 4032-M12-10 MW
16	4734 12 04 01	Bricka BRB 31x 56 FZB	Washer ISO 7089 - 30
17	4165 93319 00	Däck, 200/95-12	Tyre, 200/95-12
18	4165 99369 00	Dekal: Däcktryck 300kPa	Decal: Tyre pressure 300kPa
19	4165 93321 50	Fälg med nav, 4.25x12	Rim with hub, 4.25x12
20	4165 93470 00	Hylsa, Ø31/35x64,2	Sleeve, Ø31/35x64,2
21	4165 93473 00	Z-lamell, Z 007	Z-lamell, Z 007
22	4165 93469 00	Navkapsel Hadsten nr 928	Hub cap Hadsten no 928
23	4738 22 06 19	Kullager 6206-2RS1	Ballbearing 6206-2RS1
24	4738 23 05 34	Kullager 6305-2RS1	Ballbearing, 6305-2RS1
25	4165 94949 00	Hylsa	Sleeve
26	4165 94947 00	Kläpp	Catch
27	4738 61 32 02	Kula	Ball
28	4165 83046 00	Tryckfjäder	Push Spring
29	4165 36252 51	Hjul 200/95-12, kompl	Wheel 200/95-12, cpl
30	4165 93321 50	Fälg med nav, 4.25x12	Rim with hub, 4.25x12



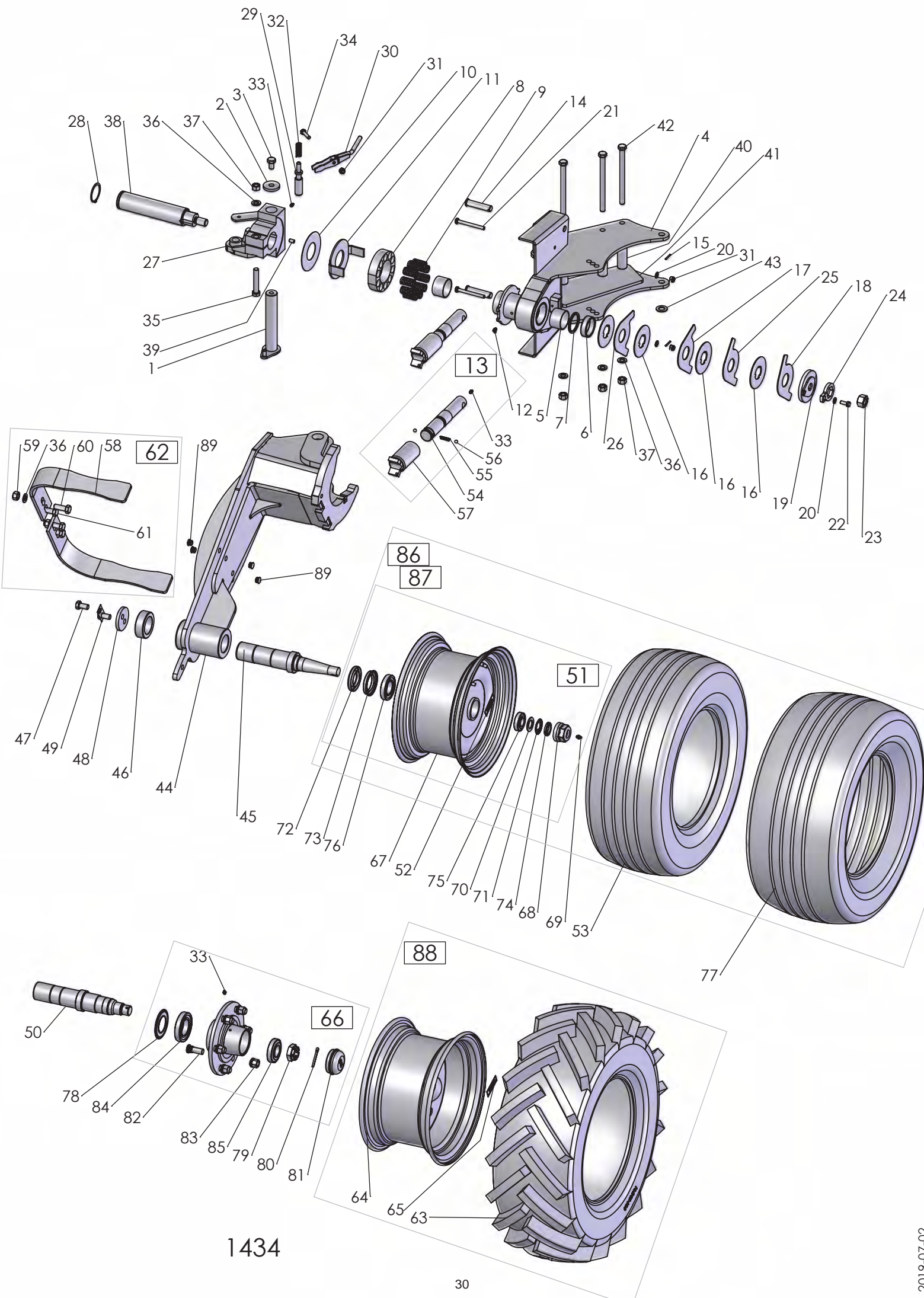
1329

Pos nr/Ref No	Detalj nr/Part No	Benämning	Description
1329 Ö		PENDELHJUL	PENDULUM WHEEL
1	41 65 34040 90	Pendelhjulskonsol	Pendeliumwheel bracket
2	41 65 34039 90	Hjularm	Pendelum arm
3	41 65 28181 90	Montage stubbaxel	Montage axle
4	41 65 94946 00	Spärrkläpp	Catch cpl.
5	4734 12 04 01	Bricka BRB 31x 56 FZB	Washer ISO 7089 - 30
6	4721 43 47 01	Fjädrande rörpinne FRP 6x 40 FZB	Spring Pin ISO 8752 - 6 x 40 FZB
7	41 65 28530 00	Bricka	Washer
8	4725 26 38 81	Skruv M6S 16x 90-10.9 MW	Bolt ISO 4014 - M16 x 90-10.9 MW
9	4725 26 40 81	Skruv M6S 16x100-10.9 MW	Bolt ISO 4014 M16x100 -10.9 MW
10	4738 88 20 03	Smörjnippel, AM 8x1,25 FZB	Grease nipple, AM 8x1,25 FZB
11	41 65 03650 05	Mutter M6M 16 NF-10 MW	Nut ISO 7040-M16-10 MW
12	41 65 91406 00	Hylsa, 16,5/28x14	Sleeve, 16,5/28x14
13	41 65 33838 00	Mellanplåt	Middleplate
14	4725 25 34 51	Skruv M6S 12x 25- 8.8 FZB	Bolt ISO 4014 - M12 x 25-8.8 FZB
15	41 65 89789 00	Cylindrisk bult, Ø16x75	Headed clevis pin, Ø16x75
16	4721 42 62 01	Fjädrande rörpinne FRP 4x 32 FZB	Spring Pin ISO 8752 - 4 x 32 FZB
17	41 65 34150 00	Stoppring Ø70/45X20	Stopring Ø70/45X20
18	4721 44 27 01	Fjädrande rörpinne FRP 10x 80 FZB	Spring Pin ISO 8752 - 10 x 80 FZB
19	41 65 32941 50	Hydraulcylinder Dämpare, Ø63/32x79	Hydraulic cylinder Absorber, Ø63/32x79
20	41 65 34041 00	Hydraulslang 1/4" 1/4" banjo L=150	Hose 1/4" 1/4" banjo L=150
21	41 65 23339 00	Banjoskruv 1/4" L=28	Banjo bolt
22	41 65 12983 01	Gummistålbricka, G1/4"	Bonded seal, G1/4
23	4734 11 86 01	Bricka BRB 17x30 FZB	Washer ISO 7089 - 16
24	41 65 36249 52	Hjul 26x12.00-12, kompl	Wheel 26x12.00-12, cpl
25	4732 21 24 51	Mutter M6M 16- 8 NF FZB	Nut ISO 7040-M16-8-NF FZB
26	41 65 97333 90	Sida för bultning	Sideplate
27	41 65 90856 00	Skruv M16x215-12.9 MW	Bolt M16x215-12.9 MW
28	41 65 98372 40	Hylsa, Ø16/32x168	Sleeve, Ø16/32x168
29	41 65 28736 50	Fälg med nav, 9.00x12	Rim whith hub, 9.00x12
30	41 65 93470 00	Hylsa, Ø31/35x64,2	Sleeve, Ø31/35x64,2
31	4738 22 06 19	Kullager 6206-2RS1	Ballbearing 6206-2RS1
32	4738 23 05 34	Kullager 6305-2RS1	Ballbearing, 6305-2RS1
33	41 65 93473 00	Z-lamell, Z 007	Z-lamell, Z 007
34	41 65 93469 00	Navkapsel Hadsten nr 928	Hub cap Hadsten no 928
35	41 65 28126 00	Däck, 26x12.00-12	Tyre, 26x12.00-12
36	41 65 94947 00	Kläpp	Catch
37	41 65 94949 00	Hylsa	Sleeve
38	4738 61 32 02	Kula	Ball
39	41 65 83046 00	Tryckfjäder	Push Spring
40	41 65 94535 00	Glidlager, Ø45/50x30	Slide bearing, Ø45/50x30
41	41 65 28743 50	Fälgsida inner	Rim plate inner
42	41 65 28744 50	Fälgsida ytter	Rim plate outer
43	41 65 36614 00	Hällare svetsning	Bracket welded
44	41 65 30309 00	Skrapa komp till hjul 28194, 34500, 36012	Scraper to wheel 28194, 34500, 36012
45	41 65 36264 01	Fälgsidor, sats	Rim sides, kit
46	41 65 30305 40	Skrapa	Scraper
47	4725 25 42 51	Skruv M6S 12x 50- 8.8 FZB	Bolt ISO 4014 - M12 x 50-8.8 FZB
48	4731 23 22 01	Mutter M6M 12- 8 FZB	Nut ISO - 4032 - M12-8 FZB
49	4734 11 78 01	Bricka BRB 13x 24 FZB	Washer ISO 7089 - 12 FZB
50	41 65 94538 40	Fästplåt	Bracket plate
51	41 65 34189 50	Kolvstång Ø32, kompl	Piston rodØ32, cpl
52	41 65 32942 50	Cylinderrör Ø63/73, kompl	Cylinder tube Ø63/73, cpl
53	41 65 86558 00	Styrning, Ø63/32	Guide, Ø63/32
54	41 65 86550 00	Låsingshalvor för cyl Ø63	Locking halves for cyl Ø63
55	4735 31 46 61	Spörring AV 58 FZB	Retaining ring AV 58 FZB
56	41 65 34198 00	Distansring	Spacer
57	41 65 34192 00	Packningssats	Sealing kit
58	41 65 29036 00	Dekal: Däcktryck 270kPa	Decal: Tyre pressure 270kPa
59	4735 21 85 88	Bricka Nord-Lock NLX 16 SP FZB	Washer Nord-Lock NLX 16 SP FZB
60	41 65 03607 05	Mutter M6M 16-12 MW	Nut ISO 4032-16-12 MW
61	41 65 36610 00	Rörklammer, Ø70	Tube clamp, Ø70
62	4725 24 49 51	Skruv M6S 8x 16- 8.8 FZB	Bolt ISO 4014 - M8 x 16-8.8 FZB
63	4734 11 64 01	Bricka BRB 8,4x16 FZB	Washer ISO 7089 - 8



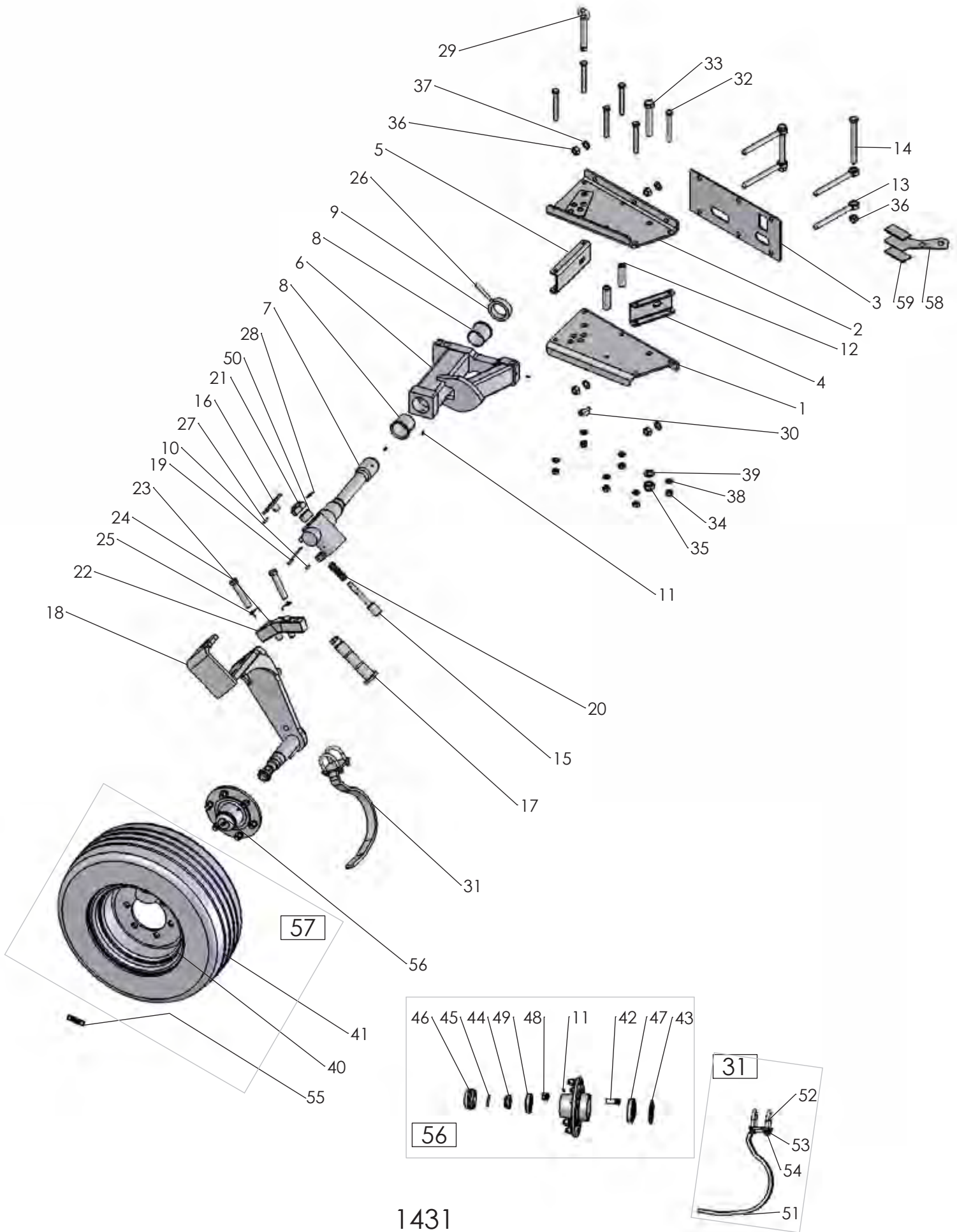
1434

Pos nr/ Ref No	Detalj nr/ Part No	Benämning	Description
1434 Ö1	22617	KOMBIHJUL	COMBI WHEEL
1	4165 33878 00	Låstapp, Ø38x218	Locking pin, Ø38x218
2	4165 89941 00	Bricka, Ø17/55x8	Washer, Ø17/55x8
3	4725 26 22 51	Skruv M6S 16x 25- 8.8 FZB	Bolt ISO 4014 - M16 x 25-8.8 FZB
4	4165 23815 90	Hjulkonsol, smst	Bracket
5	4165 85625 00	Glidlager, Ø60/65/40	Slide bearing, Ø60/65/40
6	4165 23871 00	Hylsa, Ø60,25/70x20	Sleeve, Ø60,25/70x20
7	4165 23872 00	QUAD-Ring	QUAD-Ring
8	4165 22651 00	Fjäderhållare	Spring Holder
9	4165 21267 00	Tryckfjäder	Push spring
10	4165 22653 00	Slitbricka, Ø61/135x1,5	Wearing washer, Ø61/135x1,5
11	4165 22652 00	Bricka för kombihjul	Washer for Combi wheel
12	4738 88 50 03	Smörjnippel, BM 8x1,25 FZB	Grease nipple, BM 8x1,25 FZB
13	4165 24010 00	Kläpp, kompl	Catch, cpl
14	4165 73224 01	Cylindrisk bult, Ø20x88.5	Pivot pin, Ø20x88.5
15	4721 42 62 01	Fjädrande rörpinne FRP 4x 32 FZB	Spring Pin ISO 8752 - 4 x 32 FZB
16	4165 20620 00	Bromsskiva i stål	Plate
17	4165 20623 00	Stoppbricka steg nr 3	Stop Washer no 3
18	4165 21251 00	Stoppbricka steg nr 5	Stop Washer no 5
19	4165 22638 00	Platta smst	Plate welding
20	4734 11 73 01	Bricka BRB 10,5x 20 FZB	Washer ISO 7089 - 10 FZB
21	4725 25 11 51	Skruv M6S 10x100- 8.8 FZB	Bolt ISO 4014-M10x100-8.8 FZB
22	4725 24 93 51	Skruv M6S 10x 25- 8.8 FZB	Bolt ISO 4014 - M10 x 25-8.8 FZB
23	4731 23 28 01	Mutter M6M 24- 8 FZB	Nut ISO 4032 - M24
24	4165 22637 00	Låsbricka	Locking plate
25	4165 21250 00	Stoppbricka steg nr 4	Stop washer step no 4
26	4165 20622 00	Stoppbricka steg nr 2	Stop Washer no 2
27	4165 22654 90	Medbringare Överum	Turn-Over Arm
28	4735 31 47 01	Spårring SgA 60 FZB	Circlip DIN 471 - 60 x 2
29	4165 22660 00	Spärr	Blocking pin
30	4165 22661 00	Spärrhandtag	Blocking handle
31	4732 21 20 51	Mutter M6M 10- 8 NF FZB	Nut ISO 7040-M10-8-NF FZB
32	4165 22664 00	Tryckfjäder	Spring
33	4738 88 20 03	Smörjnippel, AM 8x1,25 FZB	Grease nipple, AM 8x1,25 FZB
34	4725 24 99 51	Skruv M6S 10x 40- 8.8 FZB	Bolt ISO 4014 - M10 x 40-8.8 FZB
35	4725 26 38 81	Skruv M6S 16x 90-10.9 MW	Bolt ISO 4014 - M16 x 90-10.9 MW
36	4734 11 86 01	Bricka BRB 17x30 FZB	Washer ISO 7089 - 16
37	4731 23 24 51	Mutter M6M 16-10 MW	Nut ISO-4032 M16-10 MW
38	4165 22659 00	Axel	Axle
39	4165 98096 00	Cylindrisk pinne CPK m6 10x20	Cylindrical pin CPK m6 10x20
40	4165 97975 00	Hylsa, Ø16/32x149	Sleeve, Ø16/32x149
41	4165 33679 40	Distansplåt	Distanceplate
42	4165 90856 00	Skruv M16x215-12.9 MW	Bolt M16x215-12.9 MW
43	4734 11 92 01	Bricka BRB 21x 37 FZB	Washer ISO 7089-M20-200 HV
44	4165 35631 90	Hjularm	Wheel axle
45	4165 32459 00	Axeltapp	Axle
46	4165 31124 00	Bricka, Ø60/90x30	Washer
47	4725 26 24 51	Skruv M6S 16x 30- 8.8 FZB	Bolt ISO 4014- M16x 30-8.8 FZB
48	4165 21548 00	Bricka, Ø80x10	Washer, Ø80x10
49	4165 21583 00	Låsbleck	Lockingplate
50	4165 36023 00	Axeltapp	Wheel Axle



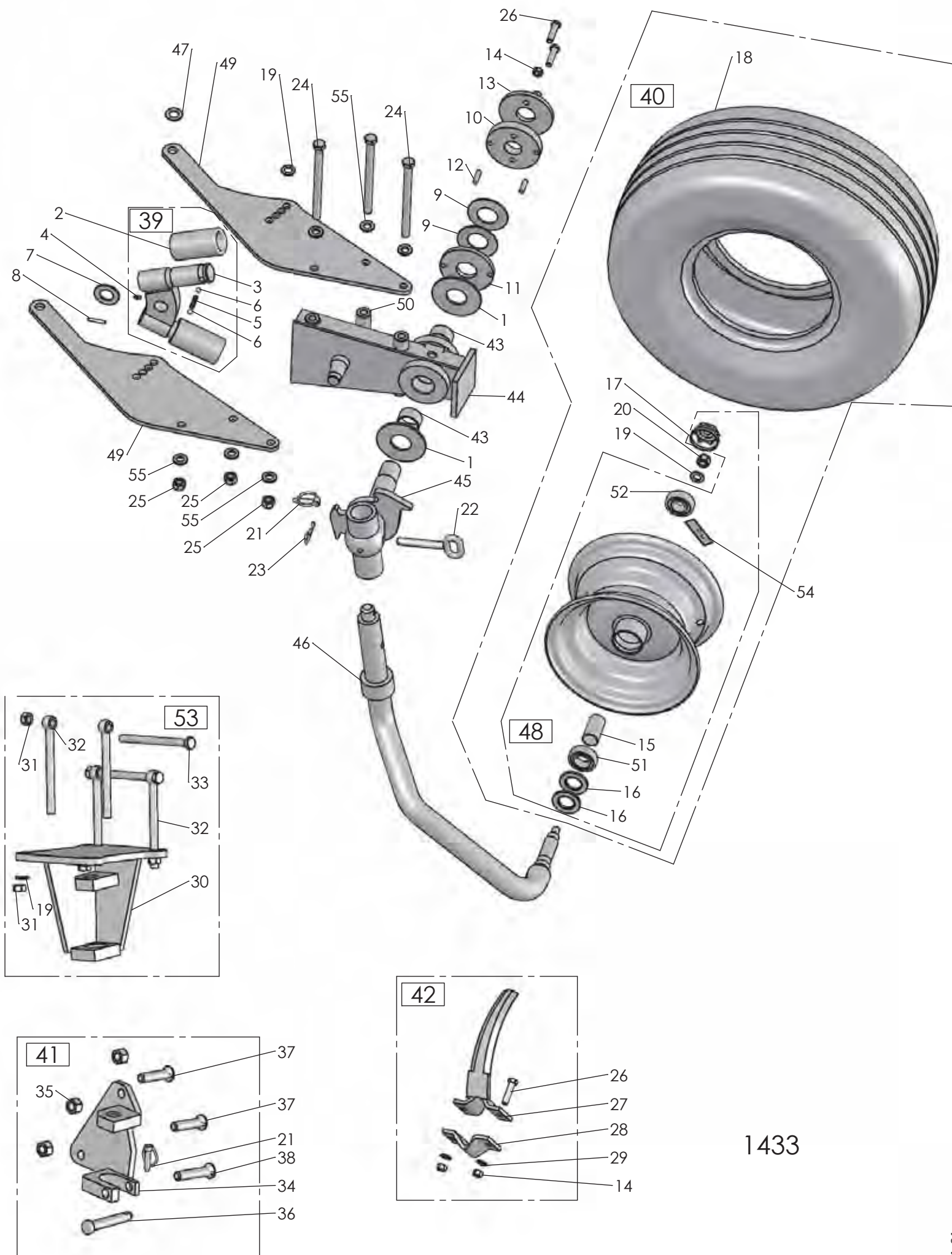
1434

Pos nr/ Ref No	Detalj nr/ Part No	Benämning	Description
1434 Ö2	22617	KOMBIHJUL	COMBI WHEEL
51	4165 20564 50	Hjulnav/fälg, kompl	Wheel hub/rim, cpl
52	4165 99369 00	Dekal: Däcktryck 300kPa	Decal: Tyre pressure 300kPa
53	4165 77026 00	Däck, 260/70-16"x10	Tyre, 260/70-16"x10
54	4165 23767 00	Kläpp	Pin
55	4165 83046 00	Tryckfjäder	Push Spring
56	4738 61 32 02	Kula	Ball
57	4165 23984 00	Hylsa svetsad	Sleeve
58	4165 32332 40	Skrapa	Scraper
59	4731 23 24 01	Mutter M6M 16- 8 FZB	Nut ISO - 4032 - M16-8 FZB
60	4725 26 29 51	Skruv M6S 16x 45- 8.8 FZB	Bolt ISO 4014 - M16 x 45-8.8 FZB
61	4725 26 32 51	Skruv M6S 16x60-8.8 FZB	Bolt ISO 4014 - M16x60-8.8
62	4165 33196 00	Skrapor, kompl sats	Scrapers, cpl kit
63	4165 36024 00	Däck 11,5/80-15,3 Traktorm	Tyre 11,5/80-15,3 Tractor type
64	4165 31496 50	Fälg	Rim
65	4165 36266 00	Dekal: Däcktryck 410kPa	Decal: Tyre pressure 410kPa
66	4165 23700 50	Hjulnav FAD 3A572	Wheel hub FAD 3A572
67	4165 22373 50	Fälg Hadsten 10939	Rim, Hadsten 10939
68	4165 22372 00	Navkapsel Hadsten 1704	Hub Cap Hadsten 1704
69	4738 88 20 02	Smörjnippel, AM 8x1 FZB	Grease nipple, AM 8x1 FZB
70	4165 22371 00	Bricka, Ø30/48x3	Washer, Ø30/48x3
71	4735 21 20 90	Låsbricka, Ø30	Lock washer, Ø30
72	4165 22369 00	Labyrinttätning, ytterring	Sealing
73	4165 22370 00	Labyrinttätning, innerring	Sealing
74	4732 51 20 30	Rundmutter 30	Lock nut 30
75	4738 42 06 00	Koniskt rullager, 30206	Taper roller bearing, 30206
76	4738 42 09 00	Koniskt rullager, 30209	Taper roller bearing, 30209
77	4165 27654 00	Däck, 340/55-16 AW 305	Tyre, 340/55-16 AW 305
78	4165 23693 00	Tätningbricka FAD, Ø101/55	Sealing washer
79	4165 23697 00	Kronmutter, M33x2	Castel nut, M33x2
80	4721 62 33 01	Saxpinne SP 6.3x 50 FZB	Split pin ISO 1234-6.3x50 FZB
81	4165 23696 00	Navkapsel FAD, Ø80	Hub cap FAD, Ø80
82	4165 98744 00	Navskruv, M18x1,5x50	Hub screw, M18x1,5x50
83	4165 91417 00	Navmutter, M18x1,5 sfär R16	Hub nut, M18x1,5 sphere R16
84	4738 42 11 00	Taper roller bearing, 30211	Taper roller bearing, 30211
85	4738 42 08 00	Koniskt rullager, 30208	Taper roller bearing, 30208
86	4165 36255 51	Hjul 260/70-16, kompl	Wheel 260/70-16, cpl
87	4165 36256 51	Hjul 340/55-16, kompl	Wheel 340/55-16, cpl
88	4165 36025 52	Hjul 11,5/80-15,3 traktormönster kompl	Wheel 11,5/80-15,3 tractor pattern cpl
89	4165 98635 00	Plastplugg, Ø16,5	Protective cap, Ø16,5



1431

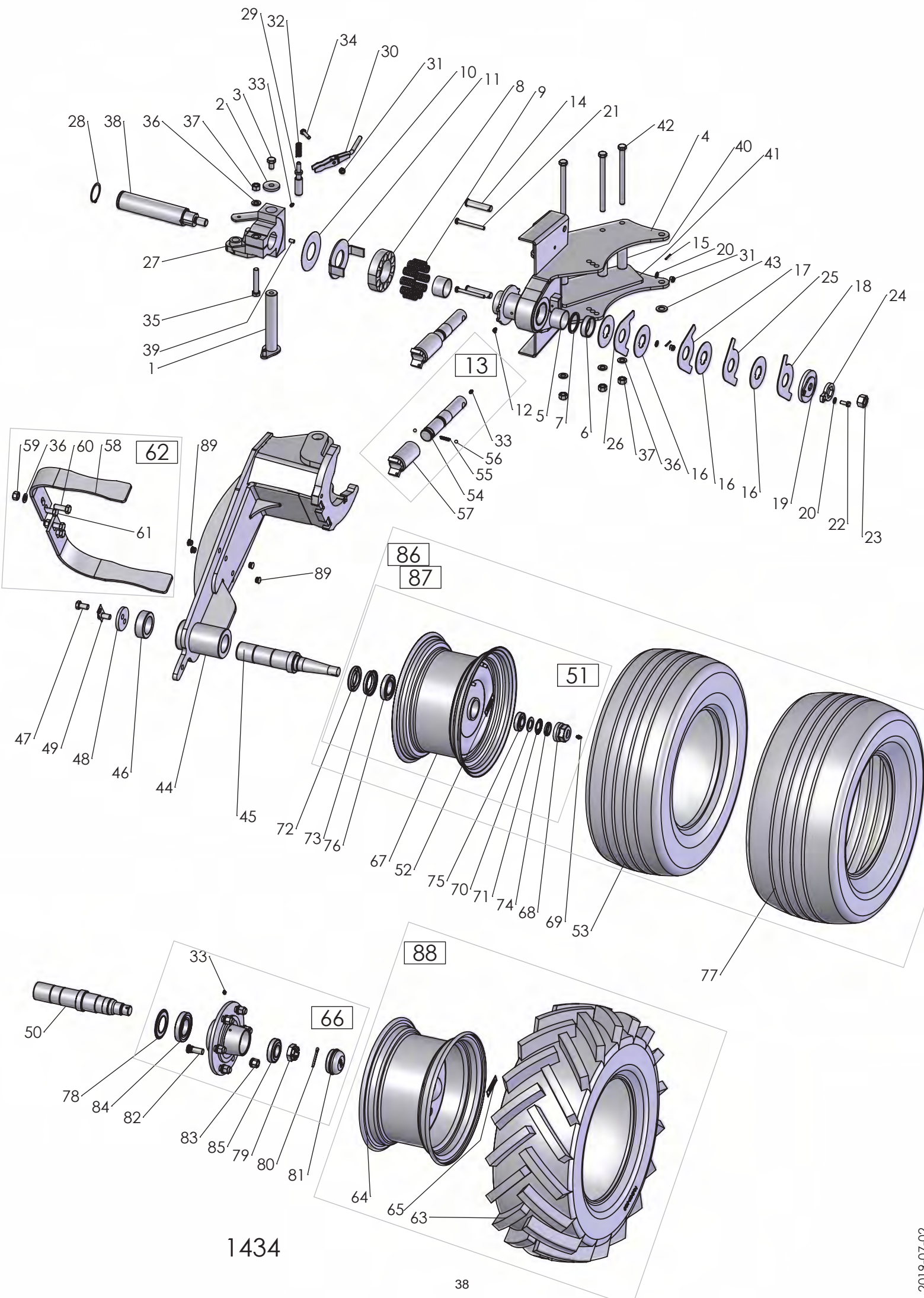
Pos nr/ Ref No	Detalj nr/ Part No	Benämning	Description
1431 Ö	20010	SIDOMONTERAT KOMBIBJUL	SIDE MOUNTED COMBI WHEEL
1	4165 20024 90	Hållarhalva övre	Upper plate
2	4165 20025 90	Hållarhalva undre	Lower plate
3	4165 20028 90	Ramplatta	Plate
4	4165 20026 90	Distansbygel kort	Distans bracket short
5	4165 20027 90	Distansbygel lång	Distans bracket long
6	4165 20040 90	Ledaxelhållare	Bracket
7	4165 20008 90	Ledaxel	Linkarm
8	4165 20566 00	Glidlager, Ø70/75/85x70	Slide bearing, Ø70/75/85x70
9	4165 20042 00	Stoppring, Ø70/95x27,5	Stop ring, Ø70/95x27,5
10	4738 88 80 03	Smörjnippel, CM 8x1,25 FZB	Grease nipple, CM 8x1,25 FZB
11	4738 88 20 03	Smörjnippel, AM 8x1,25 FZB	Grease nipple, AM 8x1,25 FZB
12	4165 20034 00	Hylsa, Ø16,5/32x102	Sleeve, Ø16,5/32x102
13	4165 20182 00	Länkskruv, M20x230	Swing bolt, M20x230
14	4165 90531 00	Skruv M20x215-12.9 MW	Bolt M20x215-12.9 MW
15	4165 20044 00	Tapp	Pin
16	4165 20045 00	Handtag	Handle
17	4165 99980 50	Axel	Axle
18	4165 20013 91	Hjulaxel	Wheel axle
19	4165 18019 00	Hårnålssprint dubbel, Ø5,0	Double grip clip, Ø5,0
20	4165 91812 00	Tryckfjäder	Compres. spring
21	4165 98908 00	Kronmutter, M39x1,5	Castel nut, M39x1,5
22	4165 21291 40	Extra djupjustering	Extra deep adjustment
23	4165 85693 00	Skruv M24x80-10.9 N30, Kullrigt huvud	Bolt M24x80-10.9 N30, Special head
24	4165 97156 00	Skruv, M24x120-10.9 N30	Bolt, M24x120-10.9 N30
25	4165 85779 00	Friktionsfjäder	Friction spring
26	4721 44 65 01	Fjädrande rörpinne FRP 12x 90 FZB	Spring Pin ISO 8752 - 12 x 90 FZB
27	4721 43 82 01	Fjädrande rörpinne FRP 8x 36 FZB	Spring Pin ISO 8752 - 8 x 36 FZB
28	4721 43 49 01	Fjädrande rörpinne FRP 6x 50 FZB	Spring Pin ISO 8752 - 6 x 50 FZB
29	4165 96509 00	Säkringstapp, Ø25x165	Pin, Ø25x165
30	4165 85005 00	Ringsprint, Ø11x34	Linch pin, Ø11x34
31	4165 20560 00	Skrapa, kompl	Scraper, cpl
32	4725 26 47 51	Skruv M6S 16x140- 8.8 FZB	Bolt ISO 4014 - M16 x 140-8.8 FZB
33	4725 27 36 51	Skruv M6S 24x150- 8.8 FZB	Bolt ISO 4014-M24x150-8.8 FZB
34	4731 23 24 01	Mutter M6M 16- 8 FZB	Nut ISO - 4032 - M16-8 FZB
35	4732 21 28 51	Mutter M6M 24- 8 NF FZB	Nut ISO 7040-M24-8-NF FZB
36	4165 03607 07	Mutter M6M 20-12 MW	Nut ISO 4032-20-12 MW
37	4734 11 92 01	Bricka BRB 21x 37 FZB	Washer ISO 7089-M20-200 HV
38	4734 11 86 01	Bricka BRB 17x30 FZB	Washer ISO 7089 - 16
39	4734 11 98 01	Bricka BRB 25x 44 FZB	Washer ISO 7089 - 24
40	4165 31496 50	Fälg	Rim
41	4165 31495 00	Däck 260/70-15,3	Tyre 260/70-15.3
42	4165 98744 00	Navskruv, M18x1,5x50	Hub screw, M18x1,5x50
43	4165 23693 00	Tätningbricka FAD, Ø101/55	Sealing washer
44	4165 23697 00	Kronmutter, M33x2	Castel nut, M33x2
45	4721 62 33 01	Saxpinne SP 6.3x 50 FZB	Split pin ISO 1234-6.3x50 FZB
46	4165 23696 00	Navkapsel FAD, Ø80	Hub cap FAD, Ø80
47	4738 42 11 00	Taper roller bearing, 30211	Taper roller bearing, 30211
48	4165 91417 00	Navmutter, M18x1,5 sfär R16	Hub nut, M18x1,5 sphere R16
49	4738 42 08 00	Koniskt rulllager, 30208	Taper roller bearing, 30208
50	4165 94535 00	Glidlager, Ø45/50x30	Slide bearing, Ø45/50x30
51	4165 20562 40	Skrapa	Scraper
52	4165 20558 00	U-bygel, M12x62x90	U-clamp, M12x62x90
53	4734 11 78 01	Bricka BRB 13x 24 FZB	Washer ISO 7089 - 12 FZB
54	4731 23 22 01	Mutter M6M 12- 8 FZB	Nut ISO - 4032 - M12-8 FZB
55	4165 99369 00	Dekal: Däcktryck 300kPa	Decal: Tyre pressure 300kPa
56	4165 23700 50	Hjulnav FAD 3A572	Wheel hub FAD 3A572
57	4165 36245 51	Hjul 260/70-15.3, kompl	Wheel 260/70-15.3, cpl
58	4165 37423 40	Reflexfäste, ås	Reflector bracket, beam
59	4165 97077 00	Reflex	Reflex



1433

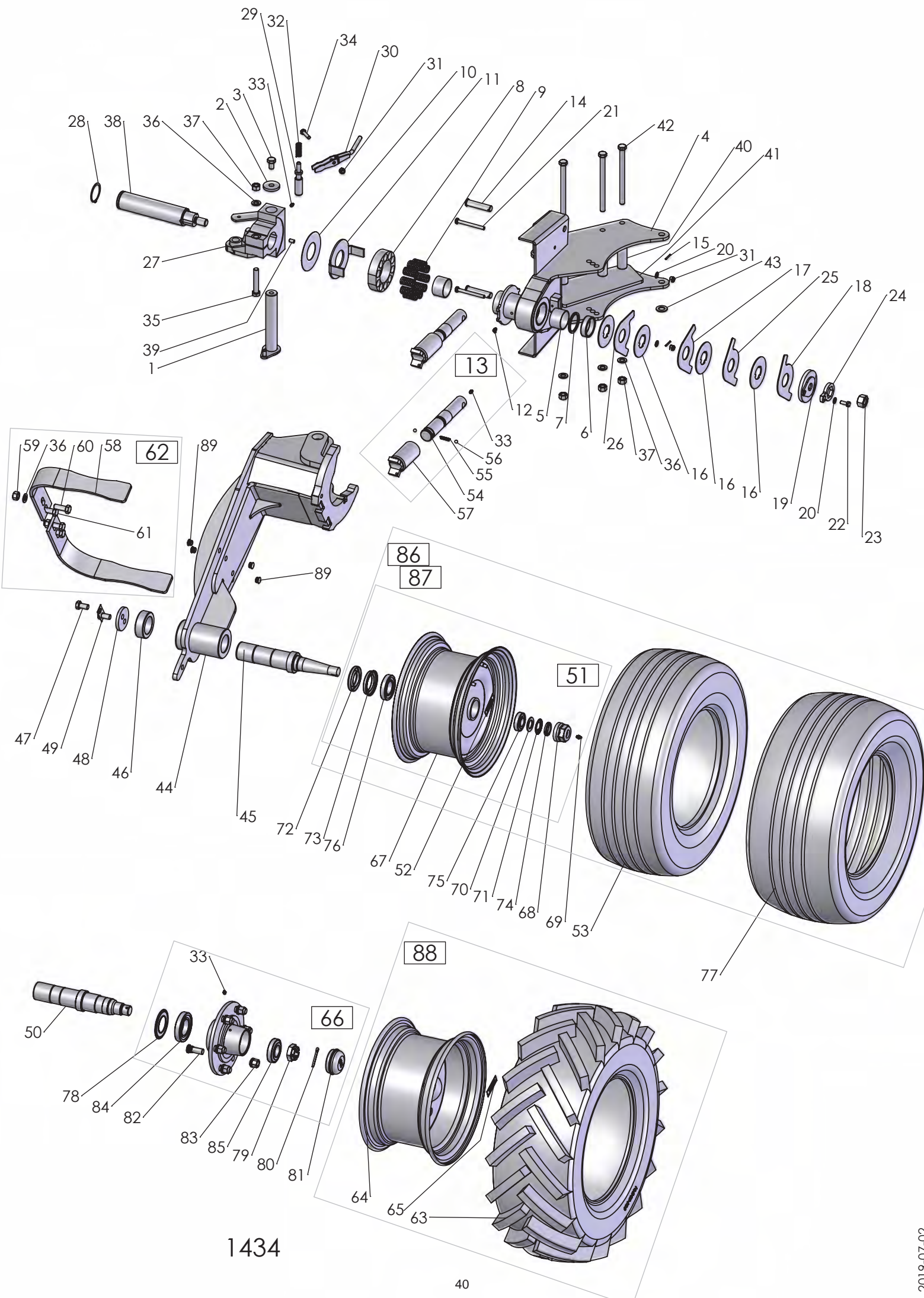
Pos nr/ Ref No	Detalj nr/ Part No	Benämning	Description
1433 Ö	96500	KOMBIHJUL	COMBI WHEEL
1	4165 96498 00	Bromslager	Brake disc
2	4165 94949 00	Hylsa	Sleeve
3	4165 94947 00	Kläpp	Catch
4	4738 88 20 03	Smörjnippel, AM 8x1,25 FZB	Grease nipple, AM 8x1,25 FZB
5	4165 83046 00	Tryckfjäder	Push Spring
6	4738 61 32 02	Kula	Ball
7	4734 12 04 01	Bricka BRB 31x 56 FZB	Washer ISO 7089 - 30
8	4721 43 47 01	Fjädrande rörpinne FRP 6x 40 FZB	Spring Pin ISO 8752 - 6 x 40 FZB
9	4165 97275 00	Tallriksfjäder, TF 90x46x2.5	Spring disc, TF 90x46x2.5
10	4165 96499 00	Ledaxellås för tallriksbricka	Lock ring
11	4165 97273 00	Tallrikshållare	Holder
12	4165 97274 00	Styrtapp	Pivot pin
13	4165 96501 00	Låsbricka	Lock washer
14	4731 23 22 01	Mutter M6M 12- 8 FZB	Nut ISO - 4032 - M12-8 FZB
15	4165 93470 00	Hylsa, Ø31/35x64,2	Sleeve, Ø31/35x64,2
16	4165 93473 00	Z-lamell Z007	Z-lamell Z007
17	4165 93469 00	Navkapsel Hadsten nr 928	Hub cap Hadsten no 928
18	4165 97338 00	Däck 10.0/80-12/10	Tyre 10.0/80-12/10
19	4734 11 86 01	Bricka BRB 17x30 FZB	Washer ISO 7089 - 16
20	4732 21 24 51	Mutter M6M 16- 8 NF FZB	Nut ISO 7040-M16-8-NF FZB
21	4165 85005 00	Ringsprint, Ø11x34	Linch pin, Ø11x34
22	4165 98319 00	Säkringstapp, Ø16x105	Pin, Ø16x105
23	4165 85763 00	Hårnålssprint, Ø3,5	Cotter pin, Ø3,5
24	4165 90856 00	Skruv M16x215-12.9 MW	Bolt M16x215-12.9 MW
25	4165 03607 05	Mutter M6M 16-12 MW	Nut ISO 4032-16-12 MW
26	4725 25 42 51	Skruv M6S 12x 50- 8.8 FZB	Bolt ISO 4014 - M12 x 50-8.8 FZB
27	4165 97435 40	Skrapa	Scraper
28	4165 94538 40	Fästplåt	Bracket plate
29	4734 11 78 01	Bricka BRB 13x 24 FZB	Washer ISO 7089 - 12 FZB
30	4165 96429 90	Hjulhållare	Bracket
31	4165 03604 05	Mutter M6M 16-10 FZB	Nut DIN 934 M16-10 FZB
32	4165 24524 00	Länkskruv, M16x200	Eye bolt, M16x200
33	4725 26 53 81	Skruv M6S 16x200-10.9 MW	Bolt ISO 4014 - M16 x200-10.9 MW
34	4165 94489 90	Fäste	Bracket
35	4731 23 26 51	Mutter M6M 20-10 MW	Nut ISO - 4032 - M20-10 MW
36	4165 93005 00	Tapp	Pivot pin
37	4165 03602 60	Skruv MFBK 20x 85-10.9 MW	Nib bolt MFBK 20x 85-10.9 MW
38	4165 03602 61	Skruv MFBK 20x100-10.9 MW	Nib bolt MFBK 20x100-10.9 MW
39	4165 94946 00	Spärkläpp	Catch cpl.
40	4165 36247 51	Hjul 10.0/80-12, kompl	Wheel 10.0/80-12, cpl
41	4165 94540 90	Fäste komplett	Bracket compl
42	4165 97437 00	Skrapa, kompl	Scraper, cpl
43	4165 27994 00	Glidlager, Ø45/50x30 SBT	Slide bearing, Ø45/50x30 SBT
44	4165 98321 90	Konsol för bultade sidor	Bracket
45	4165 24068 90	Axelinfästning	Axle mounting
46	4165 24067 90	Hjulaxel	Wheelaxle
47	4734 11 92 01	Bricka BRB 21x 37 FZB	Washer ISO 7089-M20-200 HV
48	4165 97339 50	Fälg med nav, 7.00x12	Rim with hub, 7.00x12
49	4165 97333 90	Sida för bultning	Sideplate
50	4165 98372 40	Hylsa, Ø16/32x168	Sleeve, Ø16/32x168
51	4738 22 06 19	Kullager 6206-2RS1	Ballbearing 6206-2RS1
52	4738 23 05 34	Kullager 6305-2RS1	Ballbearing, 6305-2RS1
53	4165 96431 90	Hjulhållare komplett	Holder for wheel, comp
54	4165 99369 00	Dekal: Däcktryck 300kPa	Decal: Tyre pressure 300kPa
55	4735 21 85 88	Bricka Nord-Lock NLX 16 SP FZB	Washer Nord-Lock NLX 16 SP FZB

Pos nr/ Ref No	Detalj nr/ Part No	Benämning	Description
1456 Ö		PENDELHJUL	PENDULUM WHEEL
1	4165 35536 90	Pendelhjulkonsol	Pendelumwheel Bracket
2	4165 28181 90	Montage stubbaxel	Montage axle
3	4725 26 38 81	Skruv M6S 16x 90-10.9 MW	Bolt ISO 4014 - M16 x 90-10.9 MW
4	4725 26 40 81	Skruv M6S 16x100-10.9 MW	Bolt ISO 4014 M16x100 -10.9 MW
5	4738 88 20 03	Smörjnippel, AM 8x1,25 FZB	Grease nipple, AM 8x1,25 FZB
6	4165 03650 05	Mutter M6M 16 NF-10 MW	Nut ISO 7040-M16-10 MW
7	4165 91406 00	Hylsa, 16,5/28x14	Sleeve, 16,5/28x14
8	4165 35535 00	Mellanplåt	Middleplate
9	4165 89789 00	Cylindrisk bult, Ø16x75	Headed clevis pin, Ø16x75
10	4721 42 62 01	Fjädrande rörpinne FRP 4x 32 FZB	Spring Pin ISO 8752 - 4 x 32 FZB
11	4725 25 34 51	Skruv M6S 12x 25- 8.8 FZB	Bolt ISO 4014 - M12 x 25-8.8 FZB
12	4165 34150 00	Stoppring Ø70/45X20	Stopring Ø70/45X20
13	4721 44 27 01	Fjädrande rörpinne FRP 10x 80 FZB	Spring Pin ISO 8752 - 10 x 80 FZB
14	4165 32941 50	Hydraulcylinder Dämpare, Ø63/32x79	Hydraulic cylinder Absorber, Ø63/32x79
15	4165 34041 00	Hydraulslang 1/4" 1/4" banjo L=150	Hose 1/4" 1/4" banjo L=150
16	4165 23339 00	Banjoskruv 1/4" L=28	Banjo bolt
17	4165 12983 01	Gummistålbricka, G1/4"	Bonded seal, G1/4
18	4734 11 86 01	Bricka BRB 17x30 FZB	Washer ISO 7089 - 16
19	4165 35872 50	Hydraulcylinder DV, Ø80/40x81	Hydraulic cylinder DA, Ø80/40x81
20	4165 28015 00	Bricka, Ø25/50x8	Washer, Ø25/50x8
21	4721 43 47 01	Fjädrande rörpinne FRP 6x 40 FZB	Spring Pin ISO 8752 - 6 x 40 FZB
22	4165 86079 00	Tapp för åskomponent	Pin for beam
23	4165 36019 00	Glidlager, Ø45/50x40	Bearing, Ø45/50x40
24	4165 36536 00	Slitbricka, Ø47/80x2	Washer, Ø47/80x2
25	4165 35534 90	Hjularm	Pendelum arm
26	4165 34189 50	Kolvstång Ø32, kompl	Piston rod Ø32, cpl
27	4732 21 24 51	Mutter M6M 16- 8 NF FZB	Nut ISO 7040-M16-8-NF FZB
28	4165 97333 90	Sida för bultning	Sideplate
29	4165 90856 00	Skruv M16x215-12.9 MW	Bolt M16x215-12.9 MW
30	4735 21 85 88	Bricka Nord-Lock NLX 16 SP FZB	Washer Nord-Lock NLX 16 SP FZB
31	4165 32942 50	Cylinderrör Ø63/73, kompl	Cylinder tube Ø63/73, cpl
32	4165 86558 00	Styrning, Ø63/32	Guide, Ø63/32
33	4165 86550 00	Låsringshalvor för cyl Ø63	Locking halves for cyl Ø63
34	4735 31 46 61	Spärring AV 58 FZB	Retaining ring AV 58 FZB
35	4165 34198 00	Distansring	Spacer
36	4165 28736 50	Fälg med nav, 9.00x12	Rim with hub, 9.00x12
37	4165 28126 00	Däck, 26x12.00-12	Tyre, 26x12.00-12
38	4165 29036 00	Dekal: Däcktryck 270kPa	Decal: Tyre pressure 270kPa
39	4165 93470 00	Hylsa, Ø31/35x64,2	Sleeve, Ø31/35x64,2
40	4165 93473 00	Z-lamell, Z 007	Z-lamell, Z 007
41	4165 93469 00	Navkapsel Hadsten nr 928	Hub cap Hadsten no 928
42	4738 22 06 19	Kullager 6206-2RS1	Ballbearing 6206-2RS1
43	4738 23 05 34	Kullager 6305-2RS1	Ballbearing, 6305-2RS1
44	4165 34192 00	Packningssats	Sealing kit
45	4165 36249 52	Hjul 26x12.00-12, kompl	Wheel 26x12.00-12, cpl
46	4165 36467 50	Cylinderrör Ø80/90, komplett	Hydraulic tube Ø80/90, cpl
47	4165 35893 00	Kolvstång Ø40, L=175	Piston rod Ø40, L=175
48	4165 36451 50	Styrning, Ø80/40 gängad	Guide, Ø80/40 threaded
49	4165 36535 00	Ställhylsa, M48x2	Adjustment sleeve, M48x2
50	4165 35870 00	Kolv, Ø80/40 gängad	Piston, Ø80/40 threaded
51	4738 61 32 02	Kula	Ball
52	4165 83046 00	Tryckfjäder	Push Spring
53	4165 36100 00	Styrkon	Cone
54	4165 35871 00	Packningssats till 35865	Sealing kit for 35865



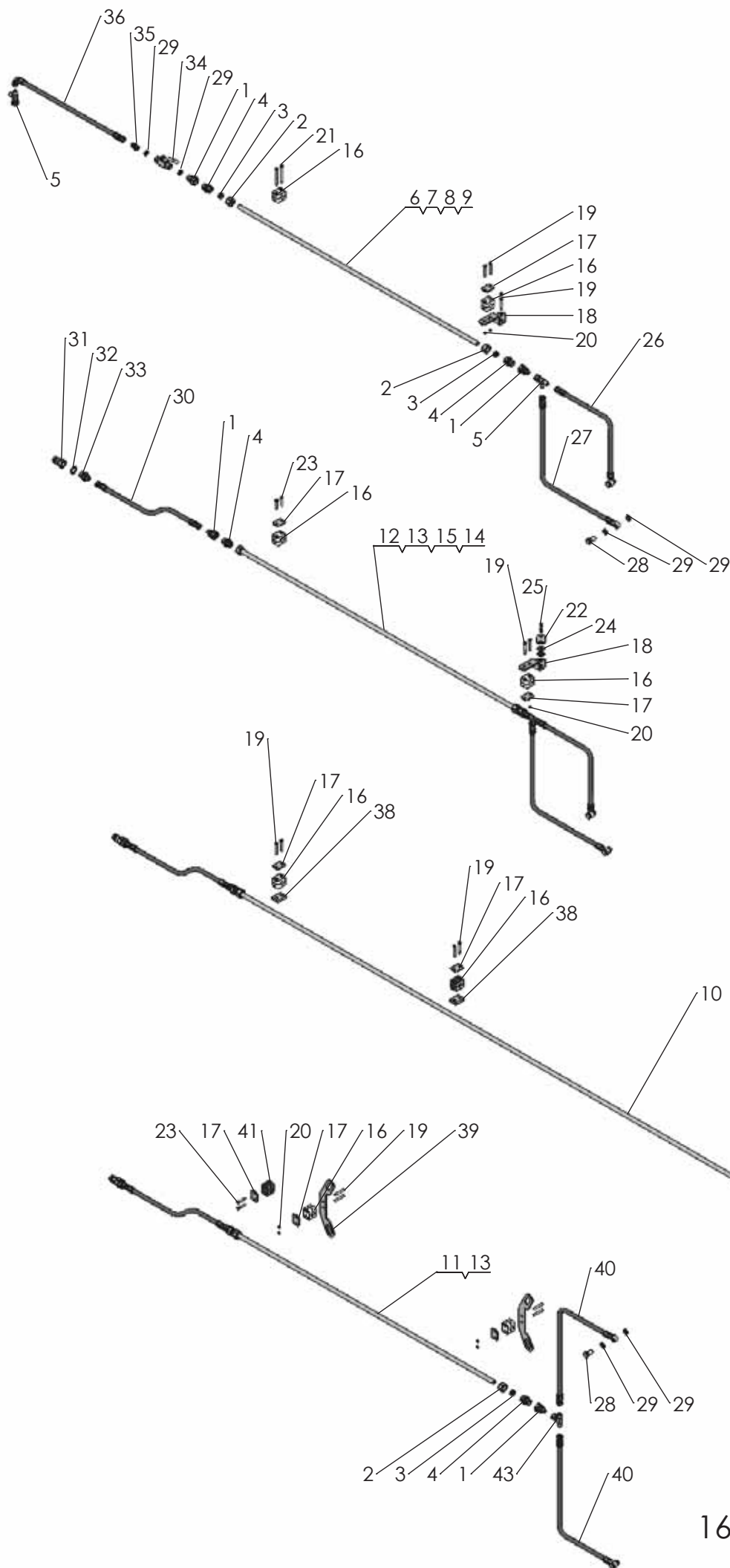
1434

Pos nr/ Ref No	Detalj nr/ Part No	Benämning	Description
1434 Ö1	22617	KOMBIHJUL	COMBI WHEEL
1	4165 33878 00	Låstapp, Ø38x218	Locking pin, Ø38x218
2	4165 89941 00	Bricka, Ø17/55x8	Washer, Ø17/55x8
3	4725 26 22 51	Skruv M6S 16x 25- 8.8 FZB	Bolt ISO 4014 - M16 x 25-8.8 FZB
4	4165 23815 90	Hjulkonsol, smst	Bracket
5	4165 85625 00	Glidlager, Ø60/65/40	Slide bearing, Ø60/65/40
6	4165 23871 00	Hylsa, Ø60,25/70x20	Sleeve, Ø60,25/70x20
7	4165 23872 00	QUAD-Ring	QUAD-Ring
8	4165 22651 00	Fjäderhållare	Spring Holder
9	4165 21267 00	Tryckfjäder	Push spring
10	4165 22653 00	Slitbricka, Ø61/135x1,5	Wearing washer, Ø61/135x1,5
11	4165 22652 00	Bricka för kombihjul	Washer for Combi wheel
12	4738 88 50 03	Smörjnippel, BM 8x1,25 FZB	Grease nipple, BM 8x1,25 FZB
13	4165 24010 00	Kläpp, kompl	Catch, cpl
14	4165 73224 01	Cylindrisk bult, Ø20x88.5	Pivot pin, Ø20x88.5
15	4721 42 62 01	Fjädrande rörpinne FRP 4x 32 FZB	Spring Pin ISO 8752 - 4 x 32 FZB
16	4165 20620 00	Bromsskiva i stål	Plate
17	4165 20623 00	Stoppbricka steg nr 3	Stop Washer no 3
18	4165 21251 00	Stoppbricka steg nr 5	Stop Washer no 5
19	4165 22638 00	Platta smst	Plate welding
20	4734 11 73 01	Bricka BRB 10,5x 20 FZB	Washer ISO 7089 - 10 FZB
21	4725 25 11 51	Skruv M6S 10x100- 8.8 FZB	Bolt ISO 4014-M10x100-8.8 FZB
22	4725 24 93 51	Skruv M6S 10x 25- 8.8 FZB	Bolt ISO 4014 - M10 x 25-8.8 FZB
23	4731 23 28 01	Mutter M6M 24- 8 FZB	Nut ISO 4032 - M24
24	4165 22637 00	Låsbricka	Locking plate
25	4165 21250 00	Stoppbricka steg nr 4	Stop washer step no 4
26	4165 20622 00	Stoppbricka steg nr 2	Stop Washer no 2
27	4165 22654 90	Medbringare Överum	Turn-Over Arm
28	4735 31 47 01	Spårring SgA 60 FZB	Circlip DIN 471 - 60 x 2
29	4165 22660 00	Spärr	Blocking pin
30	4165 22661 00	Spärrhandtag	Blocking handle
31	4732 21 20 51	Mutter M6M 10- 8 NF FZB	Nut ISO 7040-M10-8-NF FZB
32	4165 22664 00	Tryckfjäder	Spring
33	4738 88 20 03	Smörjnippel, AM 8x1,25 FZB	Grease nipple, AM 8x1,25 FZB
34	4725 24 99 51	Skruv M6S 10x 40- 8.8 FZB	Bolt ISO 4014 - M10 x 40-8.8 FZB
35	4725 26 38 81	Skruv M6S 16x 90-10.9 MW	Bolt ISO 4014 - M16 x 90-10.9 MW
36	4734 11 86 01	Bricka BRB 17x30 FZB	Washer ISO 7089 - 16
37	4731 23 24 51	Mutter M6M 16-10 MW	Nut ISO-4032 M16-10 MW
38	4165 22659 00	Axel	Axle
39	4165 98096 00	Cylindrisk pinne CPK m6 10x20	Cylindrical pin CPK m6 10x20
40	4165 97975 00	Hylsa, Ø16/32x149	Sleeve, Ø16/32x149
41	4165 33679 40	Distansplåt	Distanceplate
42	4165 90856 00	Skruv M16x215-12.9 MW	Bolt M16x215-12.9 MW
43	4734 11 92 01	Bricka BRB 21x 37 FZB	Washer ISO 7089-M20-200 HV
44	4165 35631 90	Hjularm	Wheel axle
45	4165 32459 00	Axeltapp	Axle
46	4165 31124 00	Bricka, Ø60/90x30	Washer
47	4725 26 24 51	Skruv M6S 16x 30- 8.8 FZB	Bolt ISO 4014- M16x 30-8.8 FZB
48	4165 21548 00	Bricka, Ø80x10	Washer, Ø80x10
49	4165 21583 00	Låsbleck	Lockingplate
50	4165 36023 00	Axeltapp	Wheel Axle



1434

Pos nr/ Ref No	Detalj nr/ Part No	Benämning	Description
1434 Ö2	22617	KOMBIHJUL	COMBI WHEEL
51	4165 20564 50	Hjulnav/fälg, kompl	Wheel hub/rim, cpl
52	4165 99369 00	Dekal: Däcktryck 300kPa	Decal: Tyre pressure 300kPa
53	4165 77026 00	Däck, 260/70-16"x10	Tyre, 260/70-16"x10
54	4165 23767 00	Kläpp	Pin
55	4165 83046 00	Tryckfjäder	Push Spring
56	4738 61 32 02	Kula	Ball
57	4165 23984 00	Hylsa svetsad	Sleeve
58	4165 32332 40	Skrapa	Scraper
59	4731 23 24 01	Mutter M6M 16- 8 FZB	Nut ISO - 4032 - M16-8 FZB
60	4725 26 29 51	Skruv M6S 16x 45- 8.8 FZB	Bolt ISO 4014 - M16 x 45-8.8 FZB
61	4725 26 32 51	Skruv M6S 16x60-8.8 FZB	Bolt ISO 4014 - M16x60-8.8
62	4165 33196 00	Skrapor, kompl sats	Scrapers, cpl kit
63	4165 36024 00	Däck 11,5/80-15,3 Traktorm	Tyre 11,5/80-15,3 Tractor type
64	4165 31496 50	Fälg	Rim
65	4165 36266 00	Dekal: Däcktryck 410kPa	Decal: Tyre pressure 410kPa
66	4165 23700 50	Hjulnav FAD 3A572	Wheel hub FAD 3A572
67	4165 22373 50	Fälg Hadsten 10939	Rim, Hadsten 10939
68	4165 22372 00	Navkapsel Hadsten 1704	Hub Cap Hadsten 1704
69	4738 88 20 02	Smörjnippel, AM 8x1 FZB	Grease nipple, AM 8x1 FZB
70	4165 22371 00	Bricka, Ø30/48x3	Washer, Ø30/48x3
71	4735 21 20 90	Låsbricka, Ø30	Lock washer, Ø30
72	4165 22369 00	Labyrinttätning, ytterring	Sealing
73	4165 22370 00	Labyrinttätning, innerring	Sealing
74	4732 51 20 30	Rundmutter 30	Lock nut 30
75	4738 42 06 00	Koniskt rullager, 30206	Taper roller bearing, 30206
76	4738 42 09 00	Koniskt rullager, 30209	Taper roller bearing, 30209
77	4165 27654 00	Däck, 340/55-16 AW 305	Tyre, 340/55-16 AW 305
78	4165 23693 00	Tätningbricka FAD, Ø101/55	Sealing washer
79	4165 23697 00	Kronmutter, M33x2	Castel nut, M33x2
80	4721 62 33 01	Saxpinne SP 6.3x 50 FZB	Split pin ISO 1234-6.3x50 FZB
81	4165 23696 00	Navkapsel FAD, Ø80	Hub cap FAD, Ø80
82	4165 98744 00	Navskruv, M18x1,5x50	Hub screw, M18x1,5x50
83	4165 91417 00	Navmutter, M18x1,5 sfär R16	Hub nut, M18x1,5 sphere R16
84	4738 42 11 00	Taper roller bearing, 30211	Taper roller bearing, 30211
85	4738 42 08 00	Koniskt rullager, 30208	Taper roller bearing, 30208
86	4165 36255 51	Hjul 260/70-16, kompl	Wheel 260/70-16, cpl
87	4165 36256 51	Hjul 340/55-16, kompl	Wheel 340/55-16, cpl
88	4165 36025 52	Hjul 11,5/80-15,3 traktormönster kompl	Wheel 11,5/80-15,3 tractor pattern cpl
89	4165 98635 00	Plastplugg, Ø16,5	Protective cap, Ø16,5



DX H

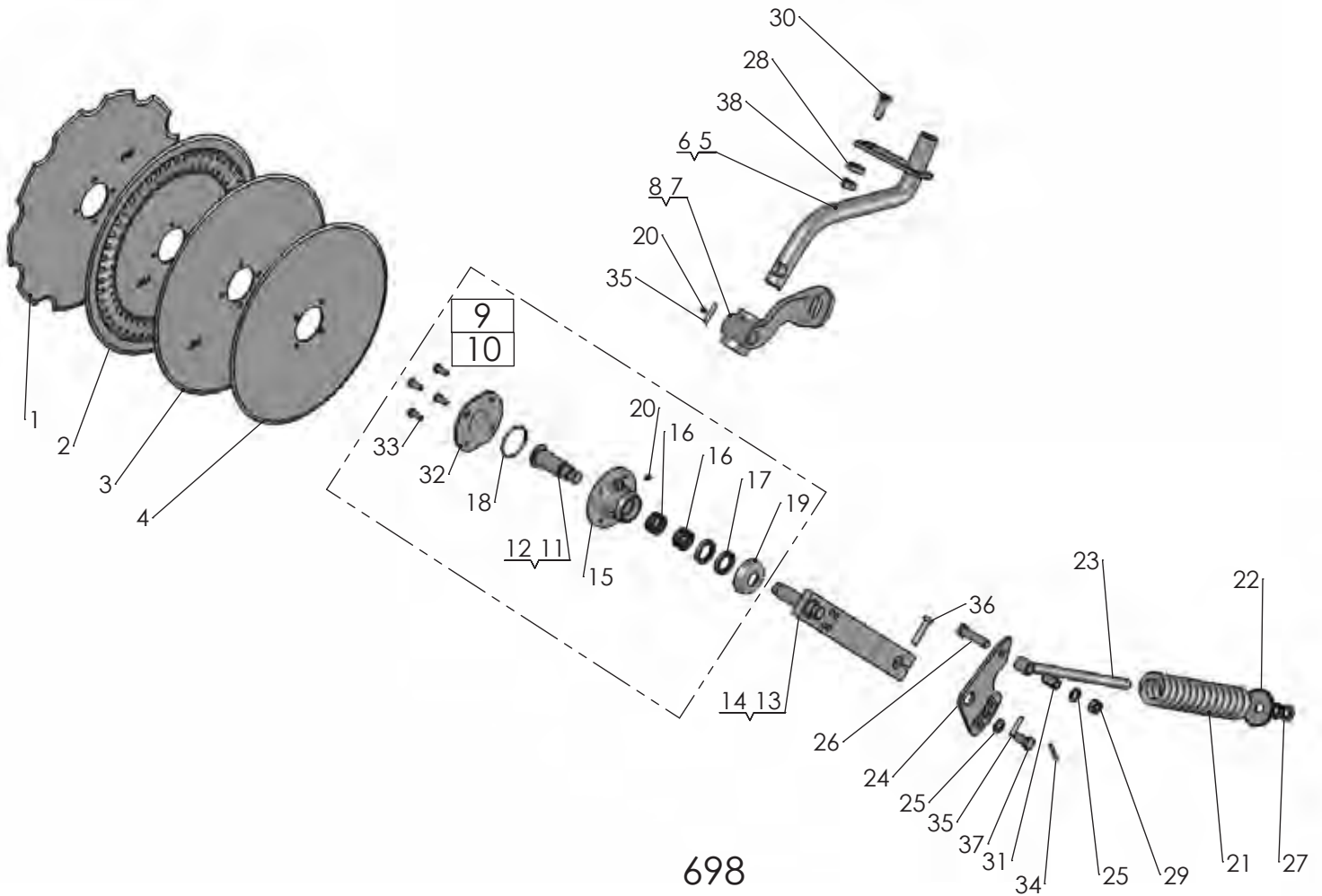
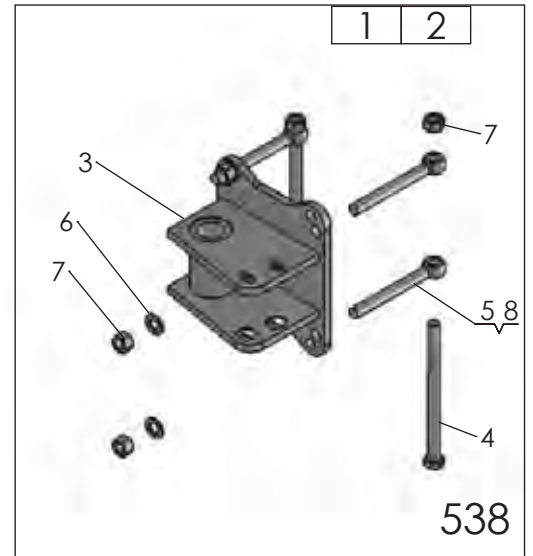
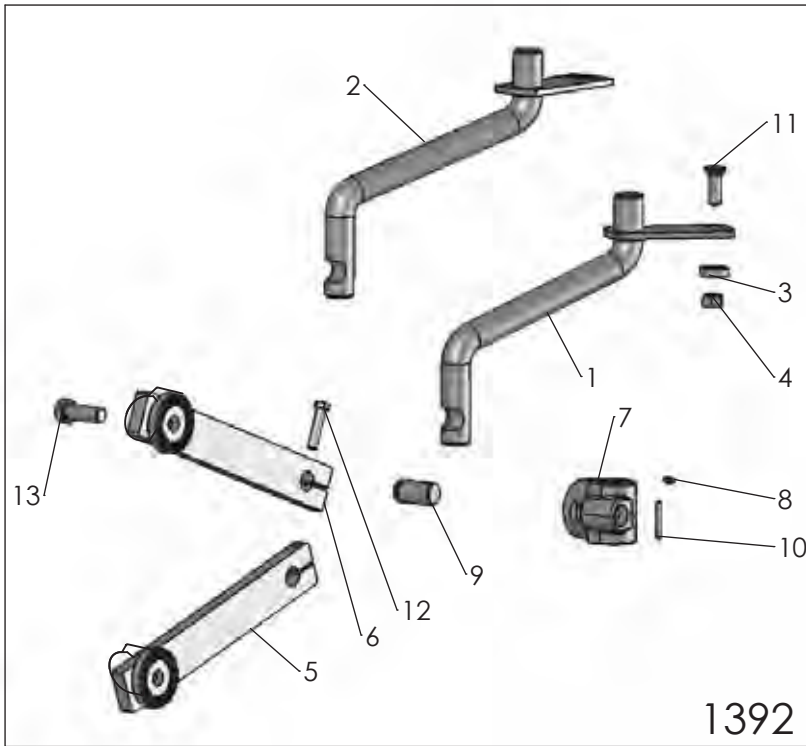
**DX 490 F
DX 590 F
DX 4100 F
DX 5100 F**

DX 690 F

DX FD

1615

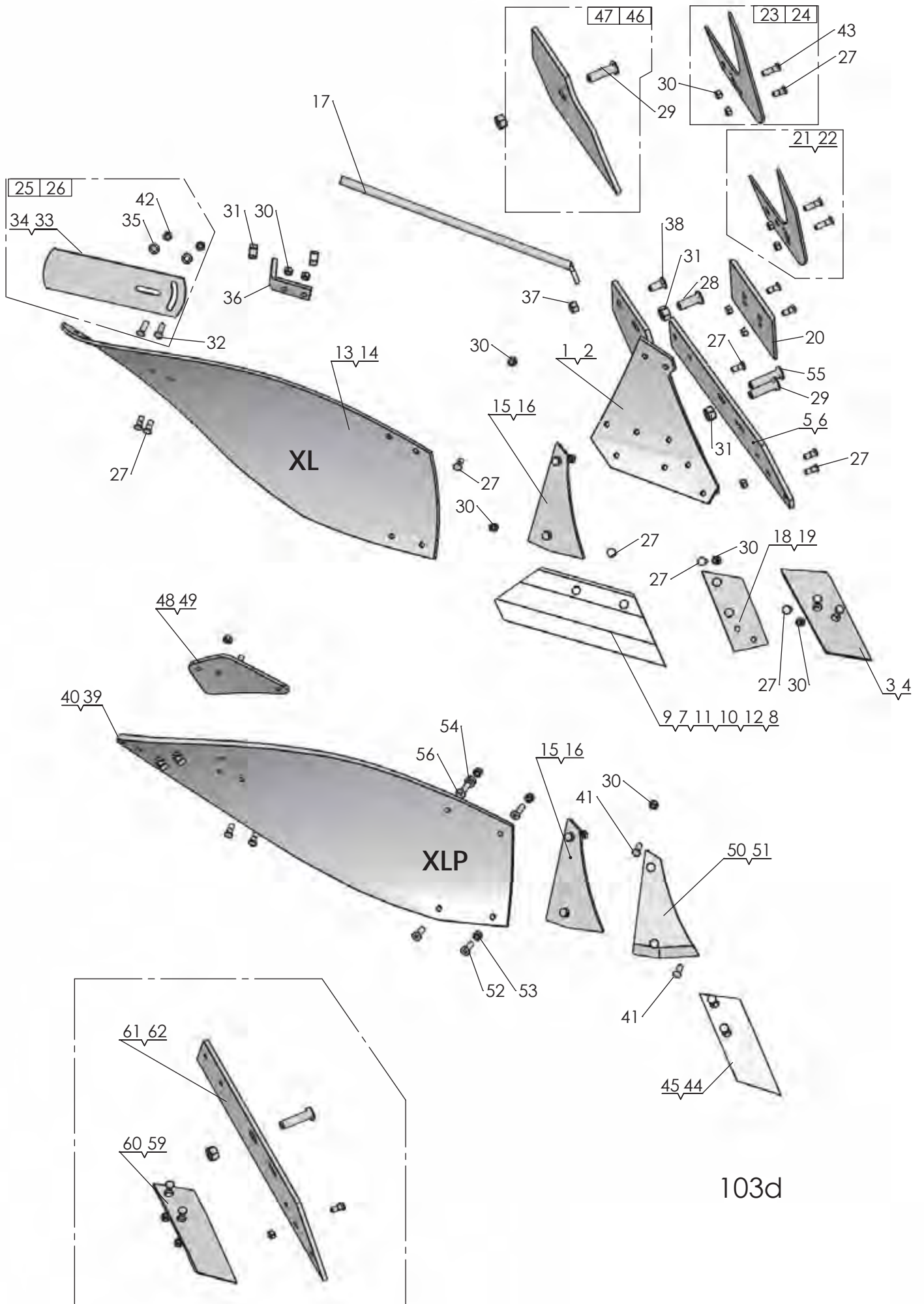
Pos nr/ Ref No	Detalj nr/ Part No	Benämning	Description
1615 Ö	36607	HYDRAULISK DJUPJUSTERING	HYDRAULIC DEPTH ADJUSTMENT
1	500237522	Rak adapt	Stright union
2	4165 75934 00	Mutter, M22x1,5	Nut, M22x1,5
3	4165 75935 00	Skärring Ø15	Cutting ring Ø15
4	4165 75752 00	Rakadapt 1/2"-M22	Union 1/2"-M22
5	4165 91077 00	T-adapt	T-Union
6	4165 36192 00	Hydraulrör, RH 15x2, L= 1200	Hydraulic tube, RH 15x2, L= 1200
7	4165 36058 00	Hydraulrör, RH 15x2, L=2090	Hydraulic tube, RH 15x2, L=2090
8	4165 36497 00	Hydraulrör, RH 15x2, L= 1560	Hydraulic tube, RH 15x2, L= 1560
9	4165 36156 00	Hydraulrör, RH 15x2, L= 2555	Hydraulic tube, RH 15x2, L=2555
10	4165 90068 02	Hydraulrör, RH 15x2, L= 3360	Hydraulic tube, RH 15x2, L= 3360
11	4165 36421 00	Hydraulrör, RH 15x2, L=1300	Hydraulic tube, RH 15x2, L=1300
12	4165 36547 00	Hydraulrör, RH 15x2, L= 1400	Hydraulic tube, RH 15x2, L= 1400
13	4165 25039 00	Hydraulrör, RH 15x2, L=2294	Hydraulic tube, RH 15x2, L=2294
14	4165 93773 01	Hydraulrör, RH 15x2, L=2680	Hydraulic tube, RH 15x2, L=2680
15	4165 36155 00	Hydraulrör, RH 15x2, L= 1655	Hydraulic tube, RH 15x2, L=1655
16	4165 91204 00	Klammerpar, Ø15	Tube clamps, Ø15
17	4165 91205 00	Täckplatta 26	Covering plate 26
18	4165 36606 00	Fäste DX H/F	Bracket DX H/F
19	4725 23 79 51	Skruv M6S 6x 45- 8.8 FZB	Bolt ISO 4014 - M6 x 45-8.8 FZB
20	4731 23 16 01	Mutter M6M 6- 8 FZB	Nut ISO - 4032 - M6-8 FZB
21	4725 23 84 51	Skruv M6S 6x 70- 8.8 FZB	Bolt ISO 4014 - M6 x 70-8.8 FZB
22	4165 91853 00	Täckplatta 33	Cover plate 33
23	4725 23 76 51	Skruv M6S 6x 35- 8.8 FZB	Bolt ISO 4014 - M6 x 35-8.8 FZB
24	4734 11 78 01	Bricka BRB 13x 24 FZB	Washer ISO 7089 - 12 FZB
25	4725 23 64 51	Skruv M6S 6x 10- 8.8 FZB	Bolt ISO 4014 - M6 x 10-8.8 FZB
26	4165 36167 00	Hydraulslang 1/4, L=580	Hydraulic hose 1/4, L=580
27	4165 36085 00	Hydraulslang, L=800	Hydraulic hose, L=800
28	4165 23339 00	Banjoskruv 1/4" L=28	Banjo bolt
29	4165 12983 01	Gummistålbricka, G1/4"	Bonded seal, G1/4
30	4165 92160 00	Hydraulslang 1/4" rak- 1/4" rak L=3600	Hose
31	4165 74814 00	Handel 1/2"	Quick coupling M, 1/2"
32	4165 80316 00	Gummistålbricka, G1/2	Bonded seal, G1/2
33	4165 77231 00	Rak adapt 1/2" - 1/4"	Stright union
34	4165 84096 00	Kulventil, ISO-G1/4	Ball valve, ISO-G1/4
35	4165 79031 00	Adapt, 1/4" - 1/4"	Stright union, 1/4" - 1/4"
36	4165 14196 00	Hydraulslang 1/4, L=700	Hydraulic hose 1/4, L=700
37	4165 85636 00	L-adapt, 1/4"	L-Union, 1/4"
38	4165 22816 00	Distans	Spacer
39	4165 36634 00	Fäste DX FD	Bracket DX FD
40	4165 33207 00	Hydraulslang 1/4, L= 650	Hydraulic hose 1/4, L= 650
41	4165 94290 00	Klammerpar, Ø12,7	Tube clamps, Ø12,7
42	4165 36638 00	Fäste DX F	Bracket DX F
43	4165 91311 00	T-adapt	T-union



Pos nr/Ref No	Detalj nr/Part No	Benämning	Description
1392 Ö		FAST SKIVRIST	DISC COULTER RIGID
1	4165 94244 90	Skivristskaft 289X230, höger fast	Disc couler shank 289X230, RH
2	4165 94243 90	Skivristskaft 289x230, vänster	Disc couler shank 289x230, LH
3	4165 85884 00	Bricka, Ø17/38x10	Washer, Ø17/38x10
4	4731 23 24 01	Mutter M6M 16- 8 FZB	Nut ISO - 4032 - M16-8 FZB
5	4165 20769 90	Inställningsarm med kuggkr. Höger	Adjustment arm. Right
6	4165 20770 90	Inställningsarm med kuggkr.vänster	Adjustment arm, Left
7	4165 94734 90	Lagerkuts för skivrist	Bearing house for disc couler
8	4738 88 20 03	Smörjnippel, AM 8x1,25 FZB	Grease nipple, AM 8x1,25 FZB
9	4165 95089 00	Tapp, Ø30x56	Pin, Ø30x56
10	4721 43 49 01	Fjädrande rörpinne FRP 6x 50 FZB	Spring Pin ISO 8752 - 6 x 50 FZB
11	4165 03602 35	Skruv MFBK 16x 50-10.9 MW	Nib bolt MFBK 16x 50-10.9 MW
12	4725 25 43 51	Skruv M6S 12x 55- 8.8 FZB	Bolt ISO 4014 - M12 x 55-8.8 FZB
13	4725 26 75 51	Skruv M6S 20x 55- 8.8 FZB	Bolt ISO 4014 - M20 x 55-8.8 FZB

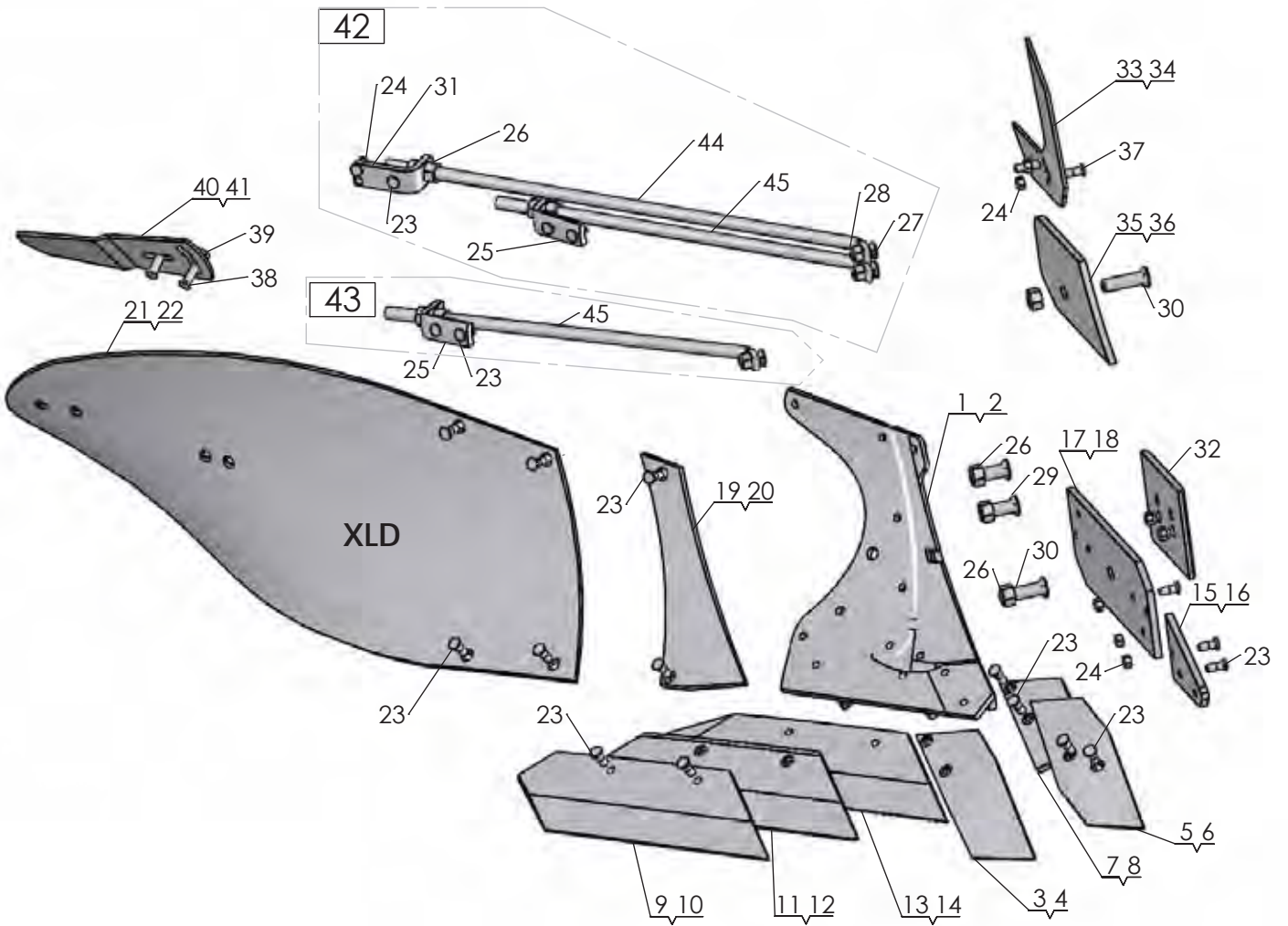
Pos nr/Ref No	Detalj nr/Part No	Benämning	Description
698 Ö		FJÄDRANDE SKIVRIST	DISC COULTER SPRING-LOADED
1	4165 80664 40	Skivristklinga Ø500 (20"), tandad	Couler disc Ø500 (20"), notched
2	4165 80663 40	Skivristklinga Ø500, ripplad	Disk couler Ø500, rippled
3	4165 80662 40	Skivristklinga Ø500, slät	Disc couler Ø500, plain
4	4165 72547 40	Skivristklinga Ø457 (18"), slät	Disc couler Ø457 (18"), plain
5	4165 27751 90	Skivristskaft 296x266, höger	Disc couler shank 296x266, RH
6	4165 27752 90	Skivristskaft 296x266, vänster	Disc couler shank 296x266, LH
7	4165 35304 90	Skivristfäste höger gjuten	Disc bracket right casting
8	4165 35412 90	Skivristfäste vänster gjuten	Disc bracket left casting
9	4165 75975 00	Skivristnav utan klinga, höger	Disc couler hub without disc, RH
10	4165 92237 00	Skivristnav utan klinga, vänster	Disc couler hub without disc, LH
11	4165 81076 00	Tapp, skivrist höger	Pin, disc couler RH
12	4165 85671 00	Tapp, skivrist vänster	Pin, disc couler LH
13	4165 86639 90	Skivristarm, höger	Disc couler arm, RH
14	4165 86642 90	Skivristarm, vänster	Disc couler arm, LH
15	4165 80967 40	Nav, skivrist	Hub, disc couler
16	4165 75545 00	Nållager, 35/42x20	Needle bearing, 35/42x20
17	4740 51 77 00	Radialtätning, A35x52x7	Sealing ring, A35x52x7
18	4740 48 48 04	O-ring, OR 65,09x3,53	O-ring, OR 65,09x3,53
19	4165 80959 00	Tätningbricka	Sealing washer
20	4738 88 20 03	Smörjnippel, AM 8x1,25 FZB	Grease nipple, AM 8x1,25 FZB
21	4165 81529 00	Tryckfjäder	Spring
22	4165 80961 00	Bricka (fjäderstyrning)	Washer (spring guide)
23	4165 85438 00	Dragstång för skivrist	Shank
24	4165 25249 90	Hävarm	Lever
25	4734 11 86 01	Bricka BRB 17x30 FZB	Washer ISO 7089 - 16
26	4725 26 33 51	Skruv M6S 16x 65- 8.8 FZB	Bolt ISO 4014 - M16 x 65-8.8 FZB
27	4731 43 26 01	Mutter ML6M 20- 5 FZB	Hexagon Thin Nut ISO - 4035 - M20
28	4165 85884 00	Bricka, Ø17/38x10	Washer, Ø17/38x10
29	4731 23 24 01	Mutter M6M 16- 8 FZB	Nut ISO - 4032 - M16-8 FZB
30	4165 03602 35	Skruv MFBK 16x 50-10.9 MW	Nib bolt MFBK 16x 50-10.9 MW
31	4165 86240 09	Fjädrande rörpinne FRP 20x 36	Spring pin DIN 7346 S Ø20x36
32	4165 80966 40	Lock för plan klinga	Cover for disc
33	4725 24 93 51	Skruv M6S 10x 25- 8.8 FZB	Bolt ISO 4014 - M10 x 25-8.8 FZB
34	4721 43 49 01	Fjädrande rörpinne FRP 6x 50 FZB	Spring Pin ISO 8752 - 6 x 50 FZB
35	4721 43 84 01	Fjädrande rörpinne FRP 8x 45 FZB	Spring Pin ISO 8752 - 8 x 45 FZB
36	4725 25 43 51	Skruv M6S 12x 55- 8.8 FZB	Bolt ISO 4014 - M12 x 55-8.8 FZB
37	4725 26 24 51	Skruv M6S 16x 30- 8.8 FZB	Bolt ISO 4014- M16x 30-8.8 FZB
38	4731 23 24 51	Mutter M6M 16-10 MW	Nut ISO-4032 M16-10 MW

Pos nr/Ref No	Detalj nr/Part No	Benämning	Description
538 Ö		SKIVRISTFÄSTE	DISC COULTER BRACKET
1	4165 24083 90	Skivristfäste komplett, 150x100	Disc couler bracket, 150x100 cpl
2	4165 96375 90	Skivristfäste komplett (150x150)	Disc couler bracket cpl (150x150)
3	4165 24590 90	Skivristfäste f ram 150x100, 150x150	Disc couler bracket for 150x100, 150x150
4	4725 26 54 51	Skruv M6S 16x220- 8.8 FZB	Bolt ISO 4014 - M16 x 220-8.8 FZB
5	4165 25012 00	Länkskruv, M16x150	Swing bolt, M16x150
6	4734 11 86 01	Bricka BRB 17x30 FZB	Washer ISO 7089 - 16
7	4731 23 24 01	Mutter M6M 16- 8 FZB	Nut ISO - 4032 - M16-8 FZB
8	4165 24524 00	Länkskruv, M16x200	Eye bolt, M16x200



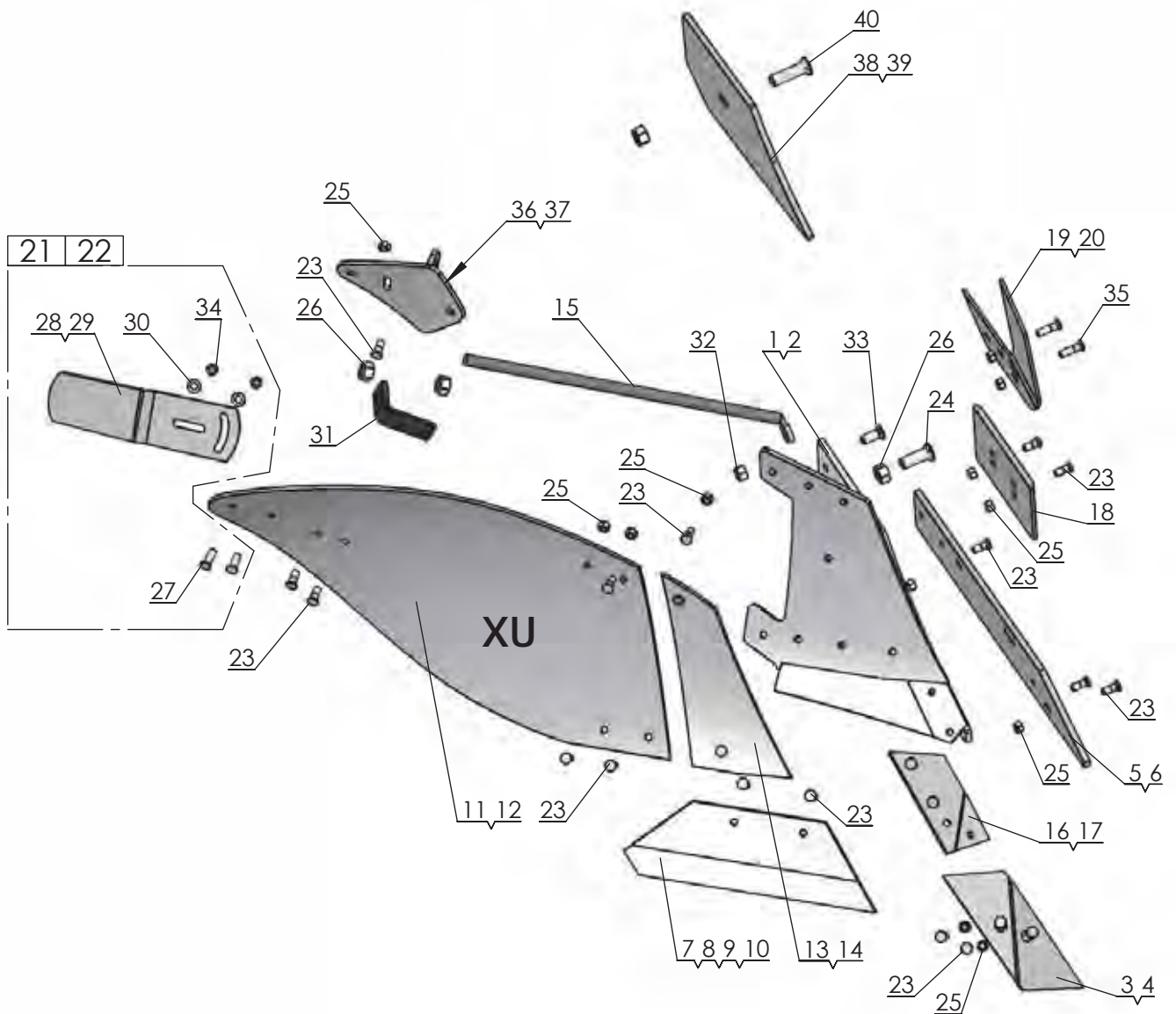
103d

Pos nr/ Ref No	Detalj nr/ Part No	Benämning	Description
103D		PLOGKROPP XL, XLP	PLOUGH BODY XL, XLP
1	4165 94616 90	Ställ XL, Höger	Frog XL, Right
2	4165 94617 90	Ställ XL, vänster	Frog XL, left
3	4165 94608 09	Spets höger XL, XU, kompl	Point right XL, XU, cpl
4	4165 94609 09	Spets vänster XL, XU, kompl	Point left XL, XU, cpl
5	4165 94604 09	Landsida XL höger, kompl	Landside XL RH, cpl
6	4165 94605 09	Landsida XL vänster, kompl	Landside XL LH, cpl
7	4165 94598 09	Skär höger 350 (14") XL, kompl	Share RH 350 (14") XL, cpl
8	4165 94599 09	Skär vänster 350 (14") XL, kompl	Share LH 350 (14") XL, cpl
9	4165 94600 09	Skär höger 400 (16") XL, kompl	Share RH 400 (16") XL, cpl
10	4165 94601 09	Skär vänster 400 (16") XL, kompl	Share LH 400 (16") XL, cpl
11	4165 94602 09	Skär höger 450 (18") XL, kompl	Share RH 450 (18") XL, cpl
12	4165 94603 09	Skär vänster 450 (18") XL, kompl	Share LH 450 (18") XL, cpl
13	4165 94594 09	Vändskiva XL/AX kompl, höger	Mouldboard XL/AX cpl, RH
14	4165 94595 09	Vändskiva XL/AX kompl, vänster	Mouldboard XL/AX cpl, LH
15	4165 94596 09	Vändskivebröst XL höger, kompl	Mouldboard shin XL right, cpl
16	4165 94597 09	Vändskivebröst XL vänster, kompl	Mouldboard shin XL left, kompl
17	4165 94614 00	Vändskivestötta XL, AX	Support Stay XL, AX
18	4165 94612 09	Spetsplatta XL höger, kompl	Point plate XL RH, cpl
19	4165 94613 09	Spetsplatta XL vänster, kompl	Point plate LH, cpl
20	4165 94289 09	Slitplatta låg, kompl	Wearing plate low, cpl
21	4165 94622 09	Knivrist kompl, höger	Knife coulter cpl, RH
22	4165 94623 09	Knivrist kompl, vänster	Knife coulter cpl, LH
23	4165 29438 49	Knivrist QR höger, kompl	Knife coulter QR RH, cpl
24	4165 29439 49	Knivrist QR vänster, kompl	Knife coulter QR LH, cpl
25	4165 85461 49	Tiltvinge höger, kompl	Mouldboard extension RH, cpl
26	4165 85462 49	Tiltvinge vänster, kompl	Mouldboard extension LH, cpl
27	4165 03612 21	Skruv MFBKF 12x32-12.9 MW	Nib bolt MFBKF 12x32-12.9 MW
28	4165 03602 57	Skruv MFBK 20x 60-10.9 MW	Nib bolt MFBK 20x 60-10.9 MW
29	4165 03602 58	Skruv MFBK 20x 75-10.9 MW	Nib bolt MFBK 20x 75-10.9 MW
30	4165 03613 03	Mutter M6M 12x1,25-12 MW	Nut ISO - 8673 - M12 x 1,25-12 MW
31	4731 23 26 51	Mutter M6M 20-10 MW	Nut ISO - 4032 - M20-10 MW
32	4165 03602 23	Skruv MFBK 12x 40-10.9 MW	Nib bolt MFBK 12x 40-10.9 MW
33	4165 74922 40	Tiltvinge, höger	Mouldboard extension, RH
34	4165 80559 40	Tiltvinge, vänster	Mouldboard extension, LH
35	4734 11 78 01	Bricka BRB 13x 24 FZB	Washer ISO 7089 - 12 FZB
36	4165 94615 40	Stagvinkel	Bracket
37	4731 23 24 01	Mutter M6M 16- 8 FZB	Nut ISO - 4032 - M16-8 FZB
38	4165 03602 33	Skruv MFBK 16x 40-10.9 MW	Nib bolt MFBK 16x 40-10.9 MW
39	4165 24803 09	Vändskiva XLP, Höger	Mouldboard XLP, Right
40	4165 24804 09	Vändskiva XLP vänster, kompl	Mouldboard XLP LH, cpl
41	4165 03602 22	Skruv MFBK 12x 35-10.9 MW	Nib bolt MFBK 12x 35-10.9 MW
42	4731 23 22 51	Mutter M6M 12-10 MW	Nut ISO 4032-M12-10 MW
43	4165 03612 24	Skruv MFBKF 12x45-12.9 MW	Bolt MFBKF 12x45-12.9 MW
44	4165 96272 09	Spets nedsänkt XL, XS höger, kompl	Point short XL, XS RH, cpl
45	4165 96273 09	Spets nedsänkt XL, XS vänster, kompl	Point short XL, XS LH, cpl
46	4165 23924 49	Täckplåt XL/AX kompl, höger	Covering plate XL/AX cpl, RH
47	4165 23925 49	Täckplåt XL/AX kompl, vänster	Covering plate XL/AX cpl, LH
48	4165 24367 40	Vinkelstötta, höger	Angle support, RH
49	4165 24797 40	Vinkelstötta, vänster	Angle support, LH
50	4165 24801 09	Vändskivebröst med fas höger, kompl	Mouldboard shin with chamfer RH, cpl
51	4165 24802 09	Vändskivebröst med fas vänster, kompl	Mouldboard shin with chamfer LH, cpl
52	4725 65 40 01	Skruv MF6S 12x 40- 8.8 FZB	Bolt ISO 10642 - M12 x 40-8.8 FZB
53	4732 21 22 51	Mutter M6M 12- 8 NF FZB	Nut ISO 7040-M12-8-NF FZB
54	4165 89489 00	Bricka, Ø13/25x10	Washer, Ø13/25x10
55	4165 03602 60	Skruv MFBK 20x 85-10.9 MW	Nib bolt MFBK 20x 85-10.9 MW
56	4725 65 42 01	Skruv MF6S 12x 50- 8.8 FZB	Bolt ISO 10642 - M12 x 50-8.8 FZB
59	4165 94611 09	Billspets AX, AH vänster, kompl	Point AX, AH left, cpl
60	4165 94610 09	Billspets AX, AH höger, kompl	Point AX, AH right, cpl
61	4165 94606 09	Landsida AX, AXP höger, kompl	Landside AX, AXP RH, cpl
62	4165 94607 09	Landsida AX, AXP, vänster, komp	Landside AX, AXP, LH, cpl



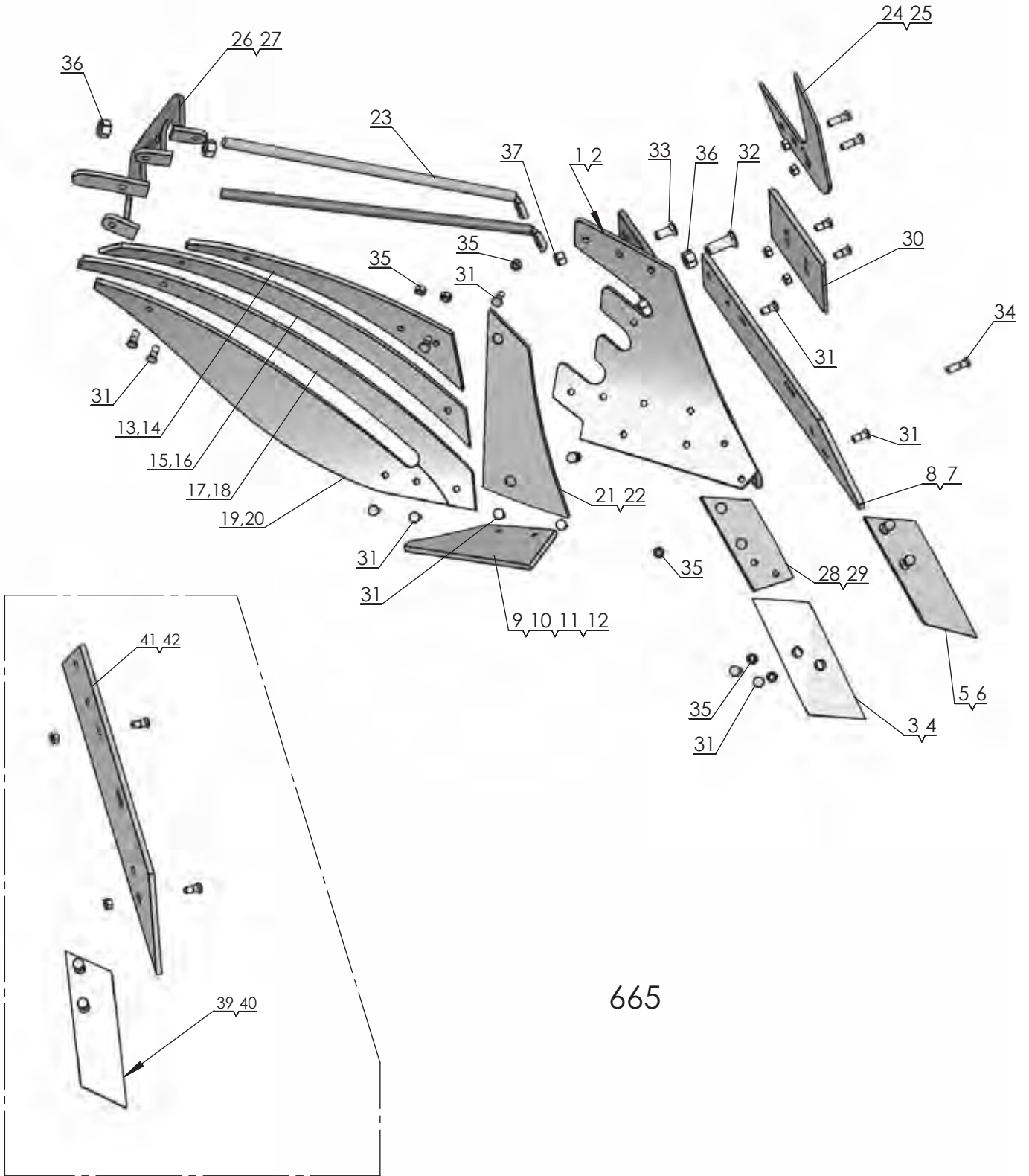
1322

Pos nr/ Ref No	Detalj nr/ Part No	Benämning	Description
1322 Ö		PLOGKROPP XLD	PLOUGH BODY XLD
1	4165 35010 90	XLD Ställ, Höger	XLD Frog, Right
2	4165 35011 90	XLD Ställ, Vänster	XLD Frog, Left
3	4165 35070 09	XLD Spets, Höger, kompl.	XLD Point, Right, Compl.
4	4165 35071 09	XLD Spets, Vänster, Kompl.	XLD Point, Left, Compl.
5	4165 35074 09	XLD Vändbar Spets, Höger, Kompl.	XLD Reversible Point, Right, Compl.
6	4165 35075 09	XLD Vändbar Spets, Vänster, Kompl.	XLD Reversible Point, Left, Compl.
7	4165 35076 09	XLD Spetsplatta, Höger, Kompl.	XLD Point Bracket, Right, Compl.
8	4165 35077 09	XLD Spetsplatta, Vänster, Kompl.	XLD Point bracket, Left, Compl.
9	4165 35040 09	XLD Skär 16", Höger, Kompl.	XLD Share 16", Right, Compl.
10	4165 35041 09	XLD Skär 16", Vänster, Kompl.	XLD Share 16", Left, Compl.
11	4165 35042 09	XLD Skär 18", Höger, Kompl.	XLD Share 18", Right, Compl.
12	4165 35043 09	XLD Skär 18", Vänster, Kompl.	XLD Share 18", Left, Compl.
13	4165 35044 09	XLD Skär 20", Höger, Kompl.	XLD Share 20", Right, Compl.
14	4165 35045 09	XLD Skär 20", Vänster, Kompl.	XLD Share 20", Left, Compl.
15	4165 35060 09	XLD Landsida främre, Höger, Kompl.	XLD Landside Forward, Right, Compl.
16	4165 35061 09	XLD Landsida Främre, Vänster, Kompl.	XLD Landside Forward, Left, Compl.
17	4165 35062 09	XLD Landsida Bakre, Höger, Kompl.	XLD Landside Rear, Right, Compl.
18	4165 35063 09	XLD Landsida Bakre, Vänster, Kompl.	XLD Landside Rear, Left, Compl.
19	4165 35080 09	XLD Bröst, Höger, Kompl.	XLD Chest, Right, Compl.
20	4165 35081 09	XLD Bröst, Vänster, Kompl.	XLD Chest, Left, Compl.
21	4165 35020 09	XLD Vändskiva, Höger, Kompl.	XLD Mouldboard, Right, Compl.
22	4165 35021 09	XLD Vändskiva, Vänster, Kompl.	XLD Mouldboard, Left, Compl.
23	4165 03612 21	Skruv MFBKF 12x32-12.9 MW	Nib bolt MFBKF 12x32-12.9 MW
24	4165 03613 03	Mutter M6M 12x1,25-12 MW	Nut ISO - 8673 - M12 x 1,25-12 MW
25	4165 94615 40	Stagvinkel	Bracket
26	4731 23 26 51	Mutter M6M 20-10 MW	Nut ISO - 4032 - M20-10 MW
27	4165 03602 33	Skruv MFBK 16x 40-10.9 MW	Nib bolt MFBK 16x 40-10.9 MW
28	4731 23 24 01	Mutter M6M 16- 8 FZB	Nut ISO - 4032 - M16-8 FZB
29	4165 03602 57	Skruv MFBK 20x 60-10.9 MW	Nib bolt MFBK 20x 60-10.9 MW
30	4165 03602 58	Skruv MFBK 20x 75-10.9 MW	Nib bolt MFBK 20x 75-10.9 MW
31	4165 35096 40	Stagfäste	Stay Bracket
32	4165 94289 09	Slitplatta låg, kompl	Wearing plate low, cpl
33	4165 94622 09	Knivrist kompl, höger	Knife coulter cpl, RH
34	4165 94623 09	Knivrist kompl, vänster	Knife coulter cpl, LH
35	4165 35112 09	XLD Täckplåt ställ Kompl., Höger	XLD Cover plate Frog Compl., Right
36	4165 35113 09	XLD Täckplåt ställ Kompl. Vänster	XLD Frog protection plate Compl, Left
37	4165 03612 24	Skruv MFBKF 12x45-12.9 MW	Bolt MFBKF 12x45-12.9 MW
38	4165 03602 23	Skruv MFBK 12x 40-10.9 MW	Nib bolt MFBK 12x 40-10.9 MW
39	4165 03615 05	Mutter M6MF 12- 8 FZB	Nut ISO - 4161 - M12 FZB
40	4165 85461 09	Tiltvinge höger, kompl	Mouldboard extension RH, cpl
41	4165 85462 09	Tiltvinge vänster, kompl	Mouldboard extension LH, cpl
42	4165 36339 01	XLD dubbel stötta, kompl	XLD double stay, cpl
43	4165 36337 01	XLD stötta, kompl	XLD stay, cpl
44	4165 35095 00	Vändskivestötta XLD	Mouldboard stay XLD
45	4165 35094 00	Vändskivestötta XLD	Mouldboard stay XLD



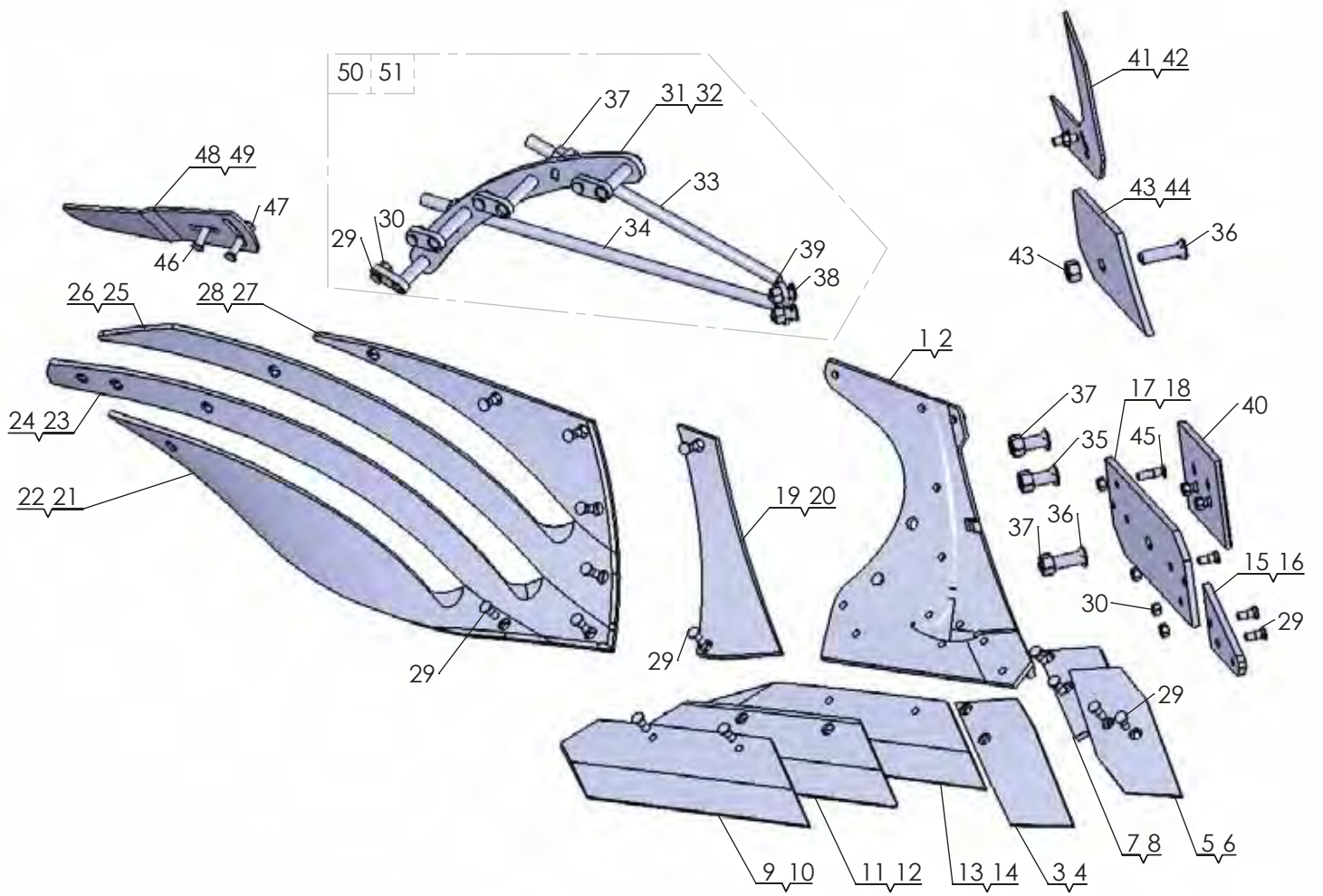
660

Pos nr/ Ref No	Detalj nr/ Part No	Benämning	Description
660		PLOGKROPP XU	PLOUGH BODY
1	4165 20539 90	Ställ XU Höger	Frog XU Right
2	4165 20540 90	Ställ XU Vänster	Frog XU Left
3	4165 94608 09	Spets höger XL, XU, kompl	Point right XL, XU, cpl
4	4165 94609 09	Spets vänster XL, XU, kompl	Point left XL, XU, cpl
5	4165 96094 09	Landsida XU höger, kompl	Landside XU RH, cpl
6	4165 96095 09	Landsida XU vänster, kompl	Landside XU LH, cpl
7	4165 96090 09	Skär XU 400 (16") höger, kompl	Share XU 400 (16") RH, cpl
8	4165 96091 09	Skär XU 400 (16") vänster, kompl	Share XU 400 (16") LH, cpl
9	4165 96092 09	Skär XU 450 (18") höger, kompl	Share XU 450 (18") RH, cpl
10	4165 96093 09	Skär XU 450 (18") vänster, kompl	Share XU 450 (18") LH, cpl
11	4165 96084 09	Vändskiva XU höger, kompl	Mouldboard XU RH, cpl
12	4165 96085 09	Vändskiva XU vänster, kompl	Mouldboard XU LH, cpl
13	4165 96086 09	Vändskivebröst XU/AH höger, kompl	Mouldboard shin XU/AH RH, cpl
14	4165 96087 09	Vändskivebröst XU/AH vänster, kompl	Mouldboard shin XU/AH LH, cpl
15	4165 96104 00	Vändskivestötta XU, AH, XS, AS	Mouldboard stay XU, AH, XS, AS
16	4165 94612 09	Spetsplatta XL höger, kompl	Point plate XL RH, cpl
17	4165 94613 09	Spetsplatta XL vänster, kompl	Point plate LH, cpl
18	4165 94289 09	Slitplatta låg, kompl	Wearing plate low, cpl
19	4165 94622 09	Knivrist kompl, höger	Knife coulter cpl, RH
20	4165 94623 09	Knivrist kompl, vänster	Knife coulter cpl, LH
21	4165 85461 49	Tiltvinge höger, kompl	Mouldboard extension RH, cpl
22	4165 85462 49	Tiltvinge vänster, kompl	Mouldboard extension LH, cpl
23	4165 03612 21	Skruv MFBKF 12x32-12.9 MW	Nib bolt MFBKF 12x32-12.9 MW
24	4165 03602 57	Skruv MFBK 20x 60-10.9 MW	Nib bolt MFBK 20x 60-10.9 MW
25	4165 03613 03	Mutter M6M 12x1,25-12 MW	Nut ISO - 8673 - M12 x 1,25-12 MW
26	4731 23 26 51	Mutter M6M 20-10 MW	Nut ISO - 4032 - M20-10 MW
27	4165 03602 23	Skruv MFBK 12x 40-10.9 MW	Nib bolt MFBK 12x 40-10.9 MW
28	4165 74922 40	Tiltvinge, höger	Mouldboard extension, RH
29	4165 80559 40	Tiltvinge, vänster	Mouldboard extension, LH
30	4734 11 78 01	Bricka BRB 13x 24 FZB	Washer ISO 7089 - 12 FZB
31	4165 94615 40	Stagvinkel	Bracket
32	4731 23 24 01	Mutter M6M 16- 8 FZB	Nut ISO - 4032 - M16-8 FZB
33	4165 03602 33	Skruv MFBK 16x 40-10.9 MW	Nib bolt MFBK 16x 40-10.9 MW
34	4731 23 22 51	Mutter M6M 12-10 MW	Nut ISO 4032-M12-10 MW
35	4165 03612 24	Skruv MFBKF 12x45-12.9 MW	Bolt MFBKF 12x45-12.9 MW
36	4165 24260 40	Vinkelstötta, höger	Angle bracket, RH
37	4165 24262 40	Vinkelstötta, vänster	Angle bracket, LH
38	4165 29282 49	Täckplåt XU/AH kompl, höger	Covering plate XU/AH cpl, RH
39	4165 29283 49	Täckplåt XU/AH kompl, vänster	Covering plate XU/AX cpl, LH
40	4165 03602 58	Skruv MFBK 20x 75-10.9 MW	Nib bolt MFBK 20x 75-10.9 MW
41	4165 94610 09	Billspets AX, AH höger, kompl	Point AX, AH right, cpl
42	4165 94611 09	Billspets AX, AH vänster, kompl	Point AX, AH left, cpl
43	4165 96096 09	Landsida AH, AS, höger, kompl	Landside AH, AS, right, cpl
44	4165 96097 09	Landsida AH, AS, vänster, kompl	Landside AH, AS, left, cpl



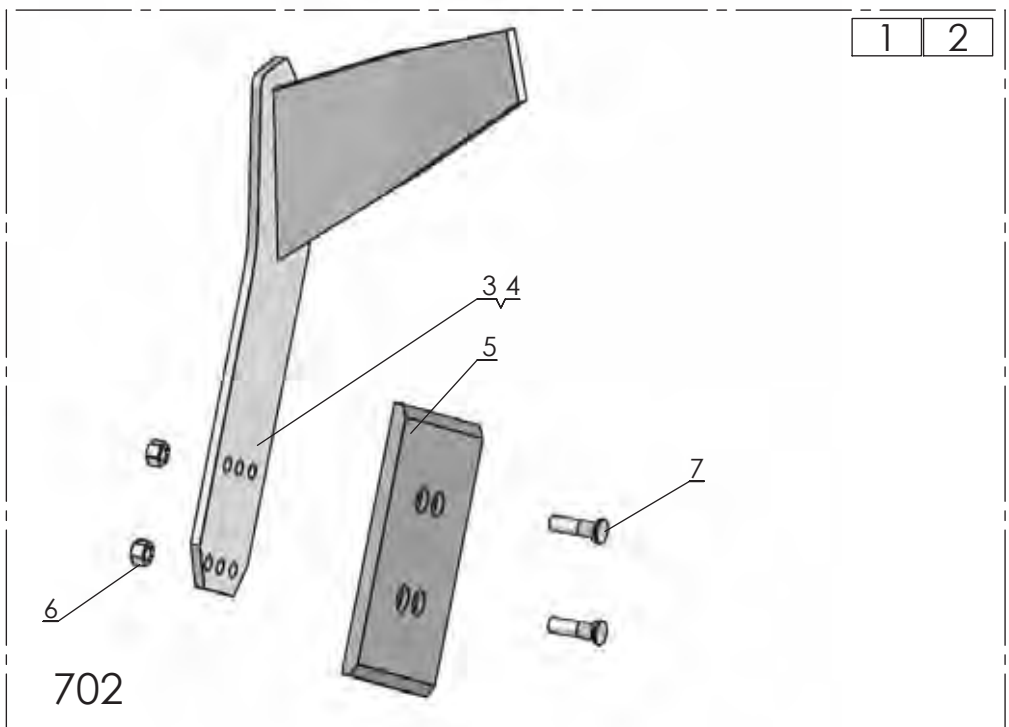
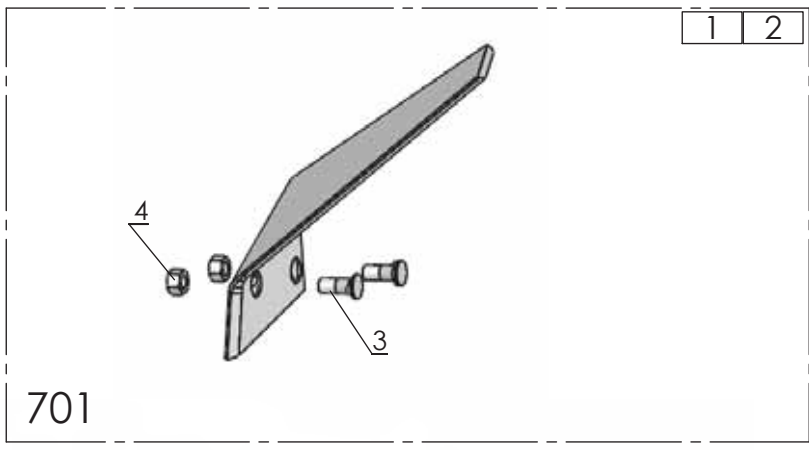
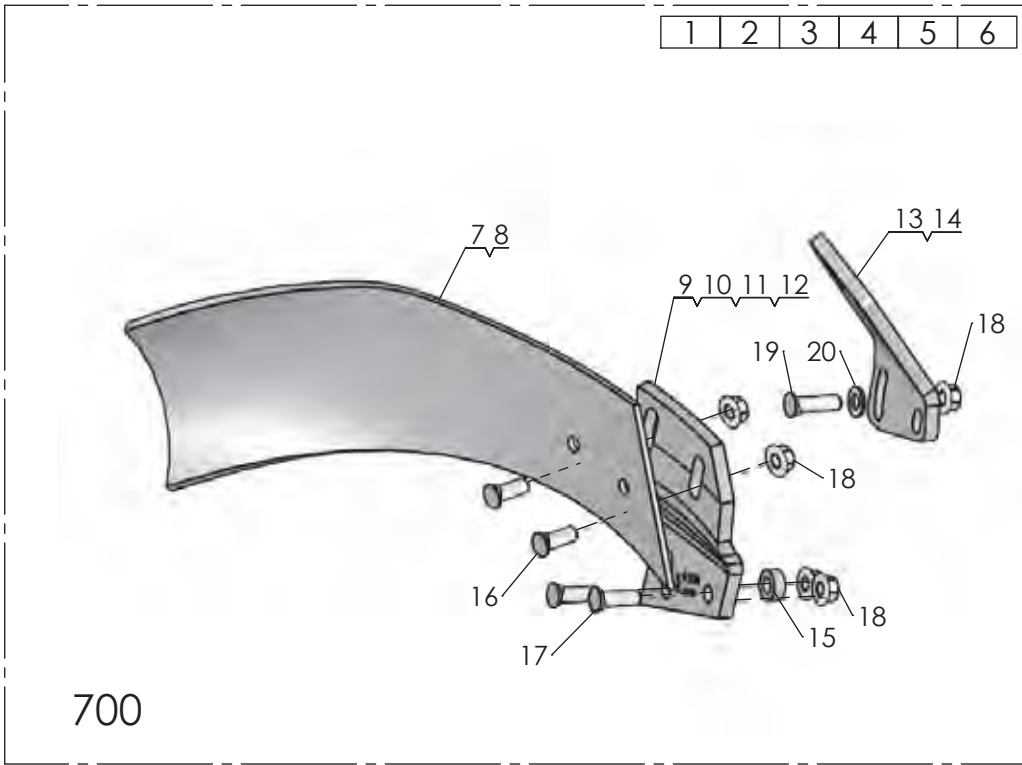
665

Pos nr/ Ref No	Detalj nr/ Part No	Benämning	Description
665		PLOGKROPP XS	PLOUGH BODY XS
1	4165 21619 90	Plogställ XS, höger	Frog XS, RH
2	4165 21620 90	Plogställ XS, vänster	Frog XS, Left
3	4165 94608 09	Spets höger XL, XU, kompl	Point right XL, XU, cpl
4	4165 94609 09	Spets vänster XL, XU, kompl	Point left XL, XU, cpl
5	4165 96272 09	Spets nedsänkt XL, XS höger, kompl	Point short XL, XS RH, cpl
6	4165 96273 09	Spets nedsänkt XL, XS vänster, kompl	Point short XL, XS LH, cpl
7	4165 96095 09	Landsida XU vänster, kompl	Landside XU LH, cpl
8	4165 96094 09	Landsida XU höger, kompl	Landside XU RH, cpl
9	4165 96090 09	Skär XU 400 (16") höger, kompl	Share XU 400 (16") RH, cpl
10	4165 96091 09	Skär XU 400 (16") vänster, kompl	Share XU 400 (16") LH, cpl
11	4165 96092 09	Skär XU 450 (18") höger, kompl	Share XU 450 (18") RH, cpl
12	4165 96093 09	Skär XU 450 (18") vänster, kompl	Share XU 450 (18") LH, cpl
13	4165 20249 09	Strimla nr 1 höger, kompl	Stripe no 1 right, cpl
14	4165 20894 09	Strimla nr 1 övre vänster, kompl	Stripe no 1 upper left, cpl
15	4165 20250 09	Strimla nr 2 höger, kompl	Stripe no 2 right, cpl
16	4165 20895 09	Strimla nr 2 vänster, kompl	Stripe no 2 left, cpl
17	4165 20251 09	Strimla nr 3 höger, kompl	Stripe no 3 right, cpl
18	4165 20896 09	Strimla nr 3 vänster, kompl	Stripe no 3 left, cpl
19	4165 20252 09	Strimla nr 4 höger, kompl	Stripe no 4 right, cpl
20	4165 20897 09	Strimla nr 4 vänster, kompl	Stripe no 4 left, cpl
21	4165 21470 09	Vändskivebröst XS/AS höger, kompl	Mouldboard shin XS/AS right, cpl
22	4165 21599 09	Vändskivebröst XS/AS vänster, kompl	Mouldboard shin XS/AS left, cpl
23	4165 96104 00	Vändskivestöfta XU, AH, XS, AS	Mouldboard stay XU, AH, XS, AS
24	4165 94622 09	Knivrist kompl, höger	Knife coulter cpl, RH
25	4165 94623 09	Knivrist kompl, vänster	Knife coulter cpl, LH
26	4165 20268 40	Brygga, höger	Bridge, right
27	4165 20278 40	Brygga, vänster	Bridge, left
28	4165 94612 09	Spetsplatta XL höger, kompl	Point plate XL RH, cpl
29	4165 94613 09	Spetsplatta XL vänster, kompl	Point plate LH, cpl
30	4165 94289 09	Slitplatta låg, kompl	Wearing plate low, cpl
31	4165 03612 21	Skruv MFBKF 12x32-12.9 MW	Nib bolt MFBKF 12x32-12.9 MW
32	4165 03602 57	Skruv MFBK 20x 60-10.9 MW	Nib bolt MFBK 20x 60-10.9 MW
33	4165 03602 33	Skruv MFBK 16x 40-10.9 MW	Nib bolt MFBK 16x 40-10.9 MW
34	4165 03612 24	Skruv MFBKF 12x45-12.9 MW	Bolt MFBKF 12x45-12.9 MW
35	4165 03613 03	Mutter M6M 12x1,25-12 MW	Nut ISO - 8673 - M12 x 1,25-12 MW
36	4731 23 26 51	Mutter M6M 20-10 MW	Nut ISO - 4032 - M20-10 MW
37	4731 23 24 01	Mutter M6M 16- 8 FZB	Nut ISO - 4032 - M16-8 FZB
39	4165 94610 09	Billspets AX, AH höger, kompl	Point AX, AH right, cpl
40	4165 94611 09	Billspets AX, AH vänster, kompl	Point AX, AH left, cpl
41	4165 96096 09	Landsida AH, AS, höger, kompl	Landside AH, AS, right, cpl
42	4165 96097 09	Landsida AH, AS, vänster, kompl	Landside AH, AS, left, cpl



1520

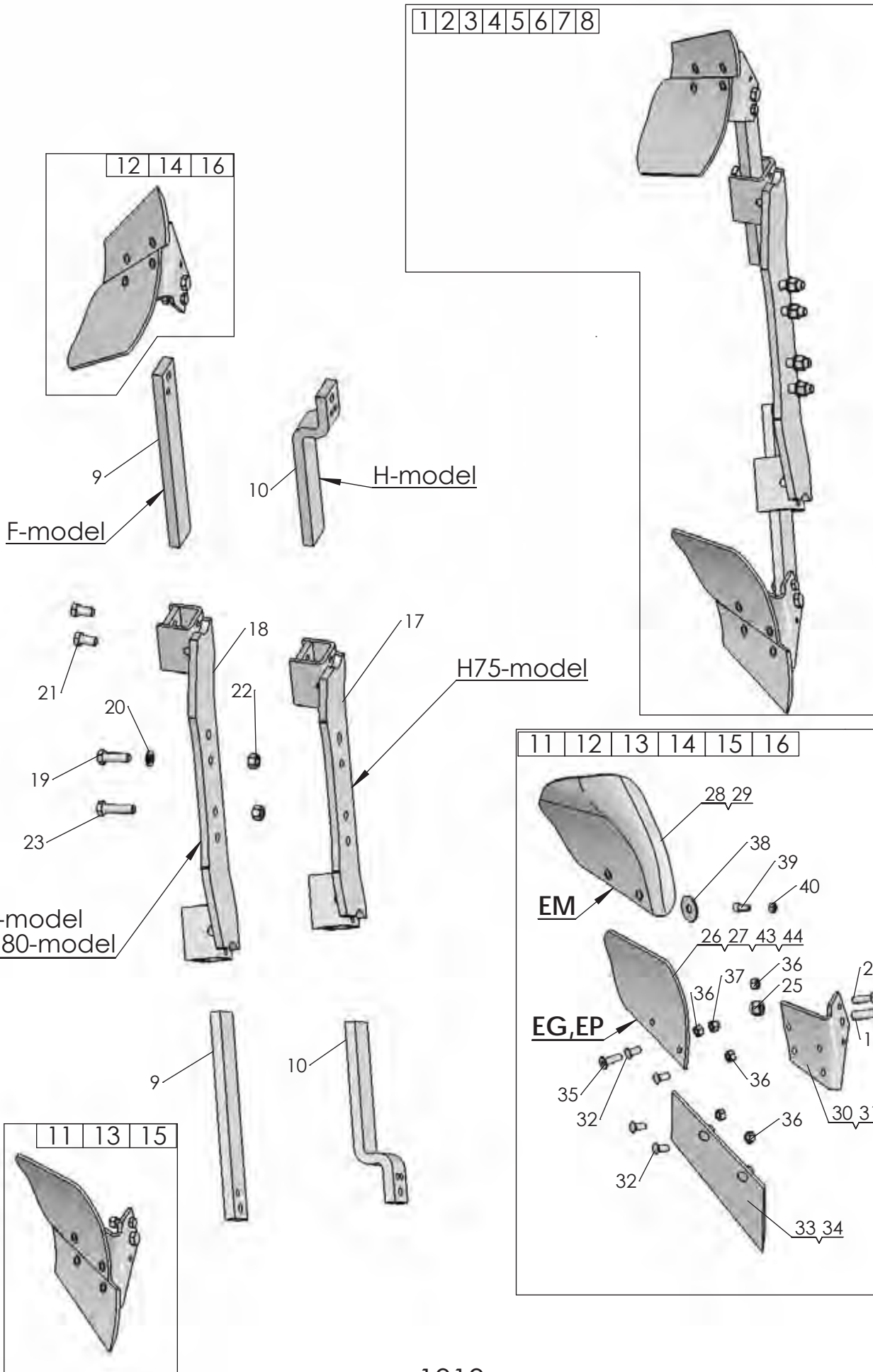
Pos nr/ Ref No	Detalj nr/ Part No	Benämning	Description
1520 Ö		PLOGKROPP XSD	PLOUGH BODY XSD
1	4165 35010 90	XLD Ställ, Höger	XLD Frog, Right
2	4165 35011 90	XLD Ställ, Vänster	XLD Frog, Left
3	4165 35070 09	XLD Spets, Höger, kompl.	XLD Point, Right, Compl.
4	4165 35071 09	XLD Spets, Vänster, Kompl.	XLD Point, Left, Compl.
5	4165 35074 09	XLD Vändbar Spets, Höger, Kompl.	XLD Reversible Point, Right, Compl.
6	4165 35075 09	XLD Vändbar Spets, Vänster, Kompl.	XLD Reversible Point, Left, Compl.
7	4165 35076 09	XLD Spetsplatta, Höger, Kompl.	XLD Point Bracket, Right, Compl.
8	4165 35077 09	XLD Spetsplatta, Vänster, Kompl.	XLD Point bracket, Left, Compl.
9	4165 35040 09	XLD Skär 16", Höger, Kompl.	XLD Share 16", Right, Compl.
10	4165 35041 09	XLD Skär 16", Vänster, Kompl.	XLD Share 16", Left, Compl.
11	4165 35042 09	XLD Skär 18", Höger, Kompl.	XLD Share 18", Right, Compl.
12	4165 35043 09	XLD Skär 18", Vänster, Kompl.	XLD Share 18", Left, Compl.
13	4165 35044 09	XLD Skär 20", Höger, Kompl.	XLD Share 20", Right, Compl.
14	4165 35045 09	XLD Skär 20", Vänster, Kompl.	XLD Share 20", Left, Compl.
15	4165 35060 09	XLD Landsida främre, Höger, Kompl.	XLD Landside Forward, Right, Compl.
16	4165 35061 09	XLD Landsida Främre, Vänster, Kompl.	XLD Landside Forward, Left, Compl.
17	4165 35062 09	XLD Landsida Bakre, Höger, Kompl.	XLD Landside Rear, Right, Compl.
18	4165 35063 09	XLD Landsida Bakre, Vänster, Kompl.	XLD Landside Rear, Left, Compl.
19	4165 35080 09	XLD Bröst, Höger, Kompl.	XLD Chest, Right, Compl.
20	4165 35081 09	XLD Bröst, Vänster, Kompl.	XLD Chest, Left, Compl.
21	4165 35024 09	XSD Strimla nr 1, Höger	XSD Stripe no 1, Right
22	4165 35025 09	XSD Strimla nr 1, Vänster	XSD Stripe no 1, Left
23	4165 35026 09	XSD Strimla nr 2, Höger	XSD Stripe no 2, Right
24	4165 35027 09	XSD Strimla nr 2, Vänster	XSD Stripe no 2, Left
25	4165 35028 09	XSD Strimla nr 3, Höger	XSD Stripe no 3, Right
26	4165 35029 09	XSD Strimla nr 3, Vänster	XSD Stripe no 3, Left
27	4165 35030 09	XSD Strimla nr 4, Höger	XSD Stripe no 4, Right
28	4165 35031 09	XSD Strimla nr 4, Vänster	XSD Stripe no 4, Left
29	4165 03612 21	Skruv MFBKF 12x32-12.9 MW	Nib bolt MFBKF 12x32-12.9 MW
30	4165 03613 03	Mutter M6M 12x1,25-12 MW	Nut ISO - 8673 - M12 x 1,25-12 MW
31	4165 35102 40	XSD Stöd, Höger	XSD Support, Right
32	4165 35103 40	XSD Stöd, Vänster	XSD Support, Left
33	4165 35093 00	XSD Vändskivestötte Övre	XSD Mouldboard stay Upper
34	4165 35091 00	XSD Vändskivestötte Undre	XSD Mouldboard Stay Lower
35	4165 03602 57	Skruv MFBK 20x 60-10.9 MW	Nib bolt MFBK 20x 60-10.9 MW
36	4165 03602 58	Skruv MFBK 20x 75-10.9 MW	Nib bolt MFBK 20x 75-10.9 MW
37	4731 23 26 51	Mutter M6M 20-10 MW	Nut ISO - 4032 - M20-10 MW
38	4165 03602 33	Skruv MFBK 16x 40-10.9 MW	Nib bolt MFBK 16x 40-10.9 MW
39	4731 23 24 01	Mutter M6M 16- 8 FZB	Nut ISO - 4032 - M16-8 FZB
40	4165 94289 09	Slitplatta låg, kompl	Wearing plate low, cpl
41	4165 94622 09	Knivrist kompl, höger	Knife coulter cpl, RH
42	4165 94623 09	Knivrist kompl, vänster	Knife coulter cpl, LH
43	4165 35112 09	XLD Täckplåt ställ Kompl., Höger	XLD Cover plate Frog Compl., Right
44	4165 35113 09	XLD Täckplåt ställ Kompl. Vänster	XLD Frog protection plate Compl, Left
45	4165 03612 24	Skruv MFBKF 12x45-12.9 MW	Bolt MFBKF 12x45-12.9 MW
46	4165 03602 23	Skruv MFBK 12x 40-10.9 MW	Nib bolt MFBK 12x 40-10.9 MW
47	4165 03615 05	Mutter M6MF 12- 8 FZB	Nut ISO - 4161 - M12 FZB
48	4165 85461 09	Tiltvinge höger, kompl	Mouldboard extension RH, cpl
49	4165 85462 09	Tiltvinge vänster, kompl	Mouldboard extension LH, cpl
50	4165 35118 01	XSD Stag och fäste Kompl. Höger	XSD Stay and Bracket Compl. Right
51	4165 35119 01	XSD Stag och fäste Kompl. Vänster	XSD Stay and Bracket Compl. Left



Pos nr/ Ref No	Detalj nr/ Part No	Benämning	Description
700 Ö		SKÄRVINGE	COVERBOARD
1	4165 96268 40	Skärvinge höger kompl, XL/UC	Coverboard cpl RH, XL/UC
2	4165 96269 40	Skärvinge vänster kompl, XL/UC	Coverboard cpl LH, XL/UC
3	4165 21337 40	Skärvinge höger kompl, XU/XS	Coverboard cpl RH, XU/XS
4	4165 21338 40	Skärvinge vänster kompl, XU/XS	Coverboard LH cpl, XU/XS
5	4165 35114 00	XLD Skärvinge Kompl. Höger	XLD Coverboard Compl. Right
6	4165 35115 00	XLD Skärvinge komplett, Vänster	XLD Coverboard Compl, Left
7	4165 96064 09	Skärvinge höger, kompl	Coverboard right, cpl
8	4165 96065 09	Skärvinge vänster, kompl	Coverboard left, cpl
9	4165 94624 40	Skärvingefäste XL/UC, höger	Bracket coverboard XL/UC, RH
10	4165 94625 40	Skärvingefäste XL/UC, vänster	Bracket coverboard XL/UC, LH
11	4165 99627 40	Skärvingefäste XU, XS, höger	Coverboard bracket XU, XS, RH
12	4165 99628 40	Skärvingefäste XU/XS, vänster,	Coverboard bracket XU/XS, LH
13	4165 35116 40	XLD Fäste skärvinge, Höger	XLD Bracket Cover board, Right
14	4165 35117 40	XLD Fäste skärvinge, Vänster	XLD Bracket Cover board, Left
15	4165 89489 00	Bricka, Ø13/25x10	Washer, Ø13/25x10
16	4165 03602 22	Skruv MFBK 12x 35-10.9 MW	Nib bolt MFBK 12x 35-10.9 MW
17	4165 03602 23	Skruv MFBK 12x 40-10.9 MW	Nib bolt MFBK 12x 40-10.9 MW
18	4165 03615 05	Mutter M6MF 12- 8 FZB	Nut ISO - 4161 - M12 FZB
19	4165 03602 24	Skruv MFBK 12x 45-10.9 MW	Nib bolt MFBK 12x 45-10.9 MW
20	4734 11 78 01	Bricka BRB 13x 24 FZB	Washer ISO 7089 - 12 FZB

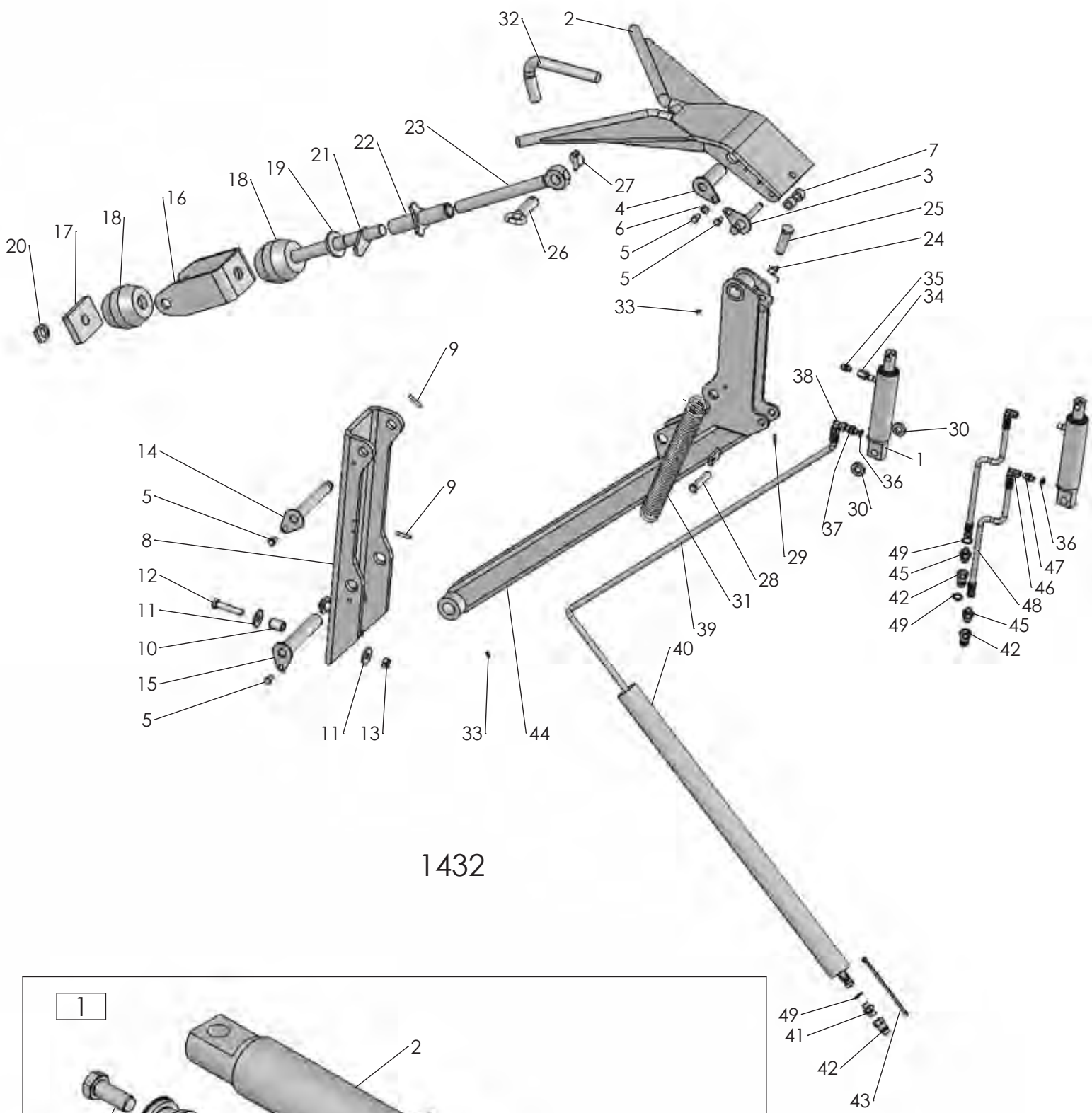
Pos nr/ Ref No	Detalj nr/ Part No	Benämning	Description
701 Ö		FÅRBREDDARE	FURROW WIDENING KNIFE
1	4165 95678 09	Fårbreddare höger, kompl	Furrow knife RH, cpl
2	4165 95679 09	Fårbreddare vänster, kompl	Furrow knife LH, cpl
3	4165 03612 21	Skruv MFBKF 12x32-12.9 MW	Nib bolt MFBKF 12x32-12.9 MW
4	4165 03613 03	Mutter M6M 12x1,25-12 MW	Nut ISO - 8673 - M12 x 1,25-12 MW

Pos nr/ Ref No	Detalj nr/ Part No	Benämning	Description
702 Ö		FÅRBREDDARE	FURROW WIDENING KNIFE
1	4165 24789 00	Fårbreddare komplett sats, höger	Furrow knife compl, RH
2	4165 24790 00	Fårbreddare komplett sats, vänster	Furrow knife compl, LH
3	4165 23868 40	Fårbreddare, höger	Furrow knife, RH
4	4165 23867 40	Fårbreddare, vänster	Furrow knife, LH
5	4165 94289 09	Slitplatta, låg	Wearing plate, low
6	4165 03613 03	Mutter M6M 12x1,25-12 MW	Nut ISO - 8673 - M12 x 1,25-12 MW
7	4165 03612 24	Skruv MFBKF 12x45-12.9 MW	Bolt MFBKF 12x45-12.9 MW

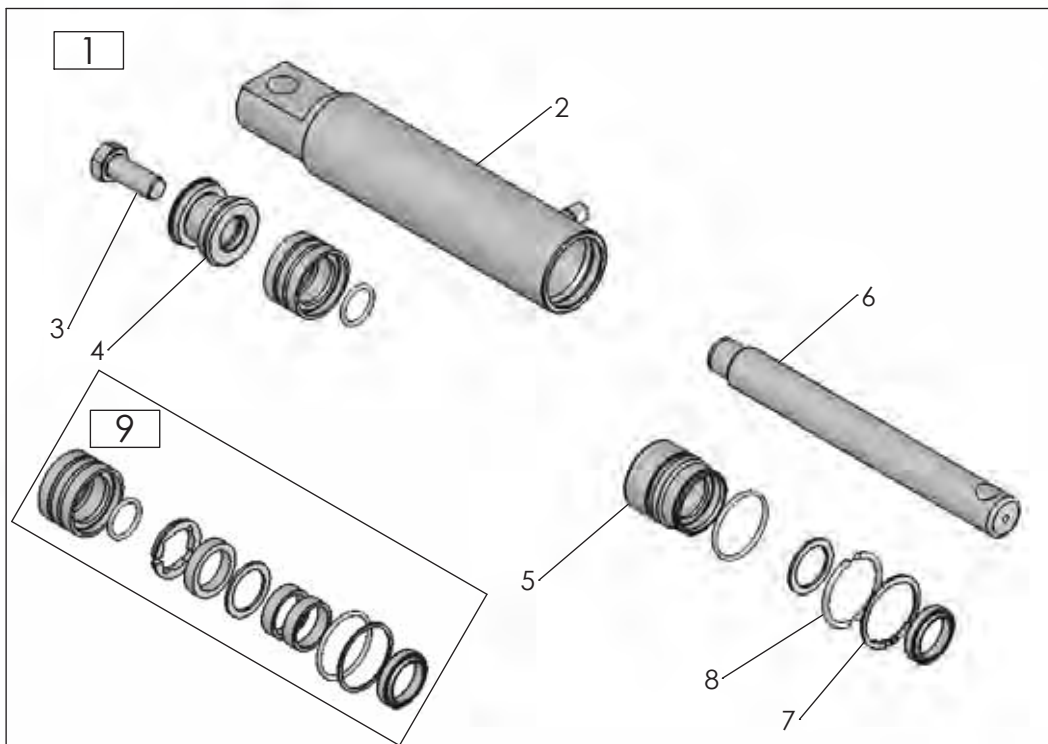


1010

Pos nr/ Ref No	Detalj nr/ Part No	Benämning	Description
1010 Ö		SKUMRIST	SKIMMER
1	4165 30316 90	EP-rist F, kompl	EP-skimmer F, cpl
2	4165 30111 90	EG-rist F, kompl	EG-skimmer F, cpl
3	4165 32902 90	EP-rist H kort, kompl	EP-skimmer H short, cpl
4	4165 32901 90	EG-rist H kort, kompl	EG-skimmer H short, cpl
5	4165 32903 90	EM-rist H kort, kompl	EM-skimmer H short, cpl
6	4165 32980 90	EP-rist H lång, kompl	EP-skimmer H long, cpl
7	4165 32977 90	EG-rist H lång, kompl	EG-skimmer H long, cpl
8	4165 32981 90	EM-rist H lång, kompl	EM-skimmer H long, cpl
9	4165 29166 90	Skumristskaff F, rakt	Skimmer shaft F, stright
10	4165 32636 90	Skumristskaff H	Skimmer shaft H
11	4165 99049 40	Rist EP, höger	Skimmer EP, RH
12	4165 99050 40	Rist EP, vänster	Skimmer EP, LH
13	4165 98260 40	Rist EG, höger	Skimmer EG, RH
14	4165 98261 40	Rist EG, vänster	Skimmer EG, LH
15	4165 24423 40	Rist EM, höger	Skimmer EM, RH
16	4165 24424 40	Rist EM, vänster	Skimmer EM, LH
17	4165 32571 90	Skumristhållare, kort	Skimmer bracket, short
18	4165 29174 90	Skumristhållare, lång	Skimmer bracket, long
19	4165 20377 00	Skruv, M6S 16x50-10.9 MW	Bolt, M6S 16x50-10.9 MW
20	4734 11 86 01	Bricka BRB 17x30 FZB	Washer ISO 7089 - 16
21	4725 26 24 81	Skruv M6S 16x30-MW	Bolt ISO 4014 - M16 x 30-10.9 MW
22	4731 23 24 51	Mutter M6M 16-10 MW	Nut ISO-4032 M16-10 MW
23	4725 26 32 81	Skruv M6S 16x 60-10.9 MW	Bolt ISO 4014 M16x60-10.9 MW
24	4165 20376 00	Brytbult, M12x40-10.9 MW	Shear bolt, M12x40-10.9 MW
25	4732 21 24 51	Mutter M6M 16- 8 NF FZB	Nut ISO 7040-M16-8-NF FZB
26	4165 91803 09	Vändskiva EG höger, kompl	Mouldboard E RH, cpl
27	4165 91804 09	Vändskiva EG vänster, kompl	Mouldboard EG LH, cpl
28	4165 24421 09	Vändskiva EM höger, kompl	Mouldboard EM RH, cpl
29	4165 24422 09	Vändskiva EM vänster, kompl	Mouldboard EM LH, cpl
30	4165 98258 40	Ställ EG-EP-EM, höger	Frog EG-EP-EM, RH
31	4165 98259 40	Ställ EG-EP-EM, vänster	Frog EG-EP-EM, LH
32	4165 03602 21	Skruv MFBK 12x 28-10.9 MW	Nib bolt MFBK 12x 28-10.9 MW
33	4165 91801 09	Skär E höger, kompl	Share E RH, cpl
34	4165 91802 09	Skär E vänster, kompl	Share E LH, cpl
35	4725 65 40 01	Skruv MF6S 12x 40- 8.8 FZB	Bolt ISO 10642 - M12 x 40-8.8 FZB
36	4731 23 22 01	Mutter M6M 12- 8 FZB	Nut ISO - 4032 - M12-8 FZB
37	4732 21 22 51	Mutter M6M 12- 8 NF FZB	Nut ISO 7040-M12-8-NF FZB
38	4165 25921 00	Självhäftande packning	Rubber washer
39	4725 54 91 01	Skruv MC6S 10x 20- 8.8 FZB	Bolt ISO 4762- M10x20- 8.8 FZB
40	4731 23 20 01	Mutter M6M 10- 8 FZB	Nut Hexagon Nut ISO - 4032 - M10-8 FZB
43	4165 92085 09	Vändskiva EP höger, kompl	Mouldboard EP RH, cpl
44	4165 92086 09	Vändskiva EP vänster, kompl	Mouldboard EP LH, cpl

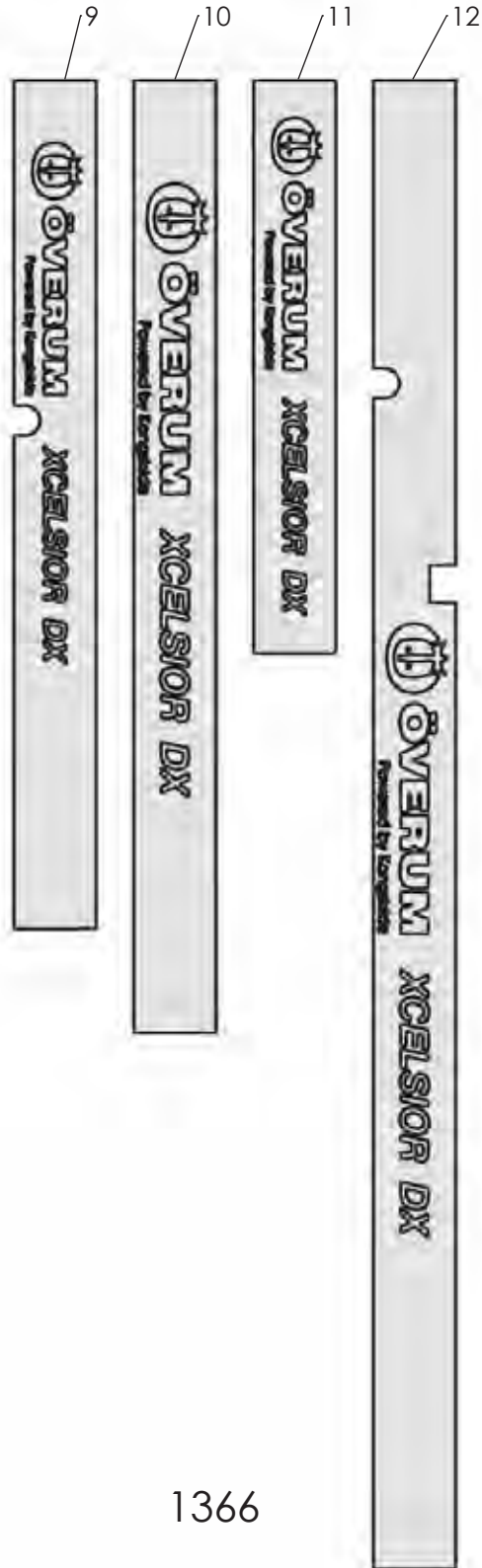
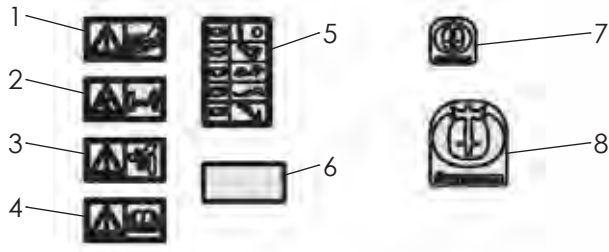


1432



Pos nr/ Ref No	Detalj nr/ Part No	Benämning	Description
1432 Ö		DRAGARM CX/DX	PACKER ARM CX/DX
1	4165 92628 50	Hydraulcylinder DV, Ø50/30x140	Hydraulic cylinder DA, Ø50/30x140
2	4165 95946 90	Kläpp med 100°	Catch with 100°
3	4165 97068 00	Låstapp, Ø16x107	Locking pin, Ø16x107
4	4165 97067 00	Låstapp, Ø38x108	Locking pin, Ø38x108
5	4725 25 32 51	Skruv M6S 12x 20- 8.8 FZB	Bolt ISO 4014 - M12 x 20-8.8 FZB
6	4734 11 78 01	Bricka BRB 13x 24 FZB	Washer ISO 7089 - 12 FZB
7	4165 95999 00	Hylsa, Ø17/30x19	Sleeve, Ø17/30x19
8	4165 96079 90	Packerdrag	Draw arm
9	4721 43 84 01	Fjädrande rörpinne FRP 8x 45 FZB	Spring Pin ISO 8752 - 8 x 45 FZB
10	4165 86240 08	Fjädrande rörpinne FRP 28x 40	Spring pin DIN 1481 S Ø28x 40
11	4165 86433 00	Bricka, Ø17/50x5	Washer, Ø17/50x5
12	4725 26 36 81	Skruv M6S 16x 80-10.9 MW	Bolt ISO 4014 M16x80 -10.9 MW
13	4165 03604 05	Mutter M6M 16-10 FZB	Nut DIN 934 M16-10 FZB
14	4165 96530 00	Låstapp, Ø30x210	Locking pin, Ø30x210
15	4165 96508 00	Låstapp, Ø38x202	Locking pin, Ø38x202
16	4165 95928 00	Hållare	Bracket
17	4165 95926 00	Dämpplåt	Rearplate
18	4165 73993 00	Gummifjäder	Rubber spring
19	4165 23806 00	Dragskruv	Draw rod
20	4165 93079 00	Låsarm, kort	Locking arm, short
21	4165 91238 00	Låsarm, M33x2	Locking arm, M33x2
22	4165 91241 00	Hylsa M33, komplett, L=210	Sleeve M33, cpl, L=210
23	4165 93638 02	Öglebult, M33x2	Eyebolt
24	4165 85779 00	Friktionsfjäder	Friction spring
25	4165 85693 00	Skruv M24x80-10.9 N30, Kullrigt huvud	Bolt M24x80-10.9 N30, Special head
26	4165 96444 00	Säkringstapp, Ø30x90	Pin, Ø30x90
27	4165 85005 00	Ringsprint, Ø11x34	Linch pin, Ø11x34
28	4165 73224 01	Cylindrisk bult, Ø20x88.5	Pivot pin, Ø20x88.5
29	4721 42 62 01	Fjädrande rörpinne FRP 4x 32 FZB	Spring Pin ISO 8752 - 4 x 32 FZB
30	4165 83587 00	Bricka, Ø20,5/38,5x8	Washer, Ø20,5/38,5x8
31	4165 82283 00	Dragfjäder	Spring
32	4165 95991 00	Dragtapp, Ø30	Pull pin, Ø30
33	4738 88 20 03	Smörjnippel, AM 8x1,25 FZB	Grease nipple, AM 8x1,25 FZB
34	4165 96342 00	Rakadapt	Coupling straight
35	4165 91814 00	Filterpropp, G1/4	Breathing filter, G1/4
36	4165 12983 01	Gummistålbricka, G1/4"	Bonded seal, G1/4
37	4165 93574 00	Rak adapt, 3/8" - 1/4"	Stright union, 3/8"-1/4"
38	4165 92939 00	L-Adapt 3/8" - 3/8"	L-Union 3/8" - 3/8"
39	4165 14124 60	Hydraulslang, L=4900	Hose, L=4900
40	4165 21043 00	Skyddsslang, Ø59,4/63x1000	Protective hose, Ø59,4/63x1000
41	4165 92438 00	Rak adapt, 1/2" - 3/8"	Stright union
42	4165 74814 00	Handel 1/2"	Quick coupling M, 1/2"
43	4165 23585 00	Buntband orange, L=206	Cable tie orange, L=206
44	4165 96438 90	Dragfäste	Draw rod
45	4165 80316 00	Gummistålbricka, G1/2	Bonded seal, G1/2

Pos nr/ Ref No	Detalj nr/ Part No	Benämning	Description
1	4165 92628 50	Hydraulcylinder DV, Ø50/30x140	Hydraulic cylinder DA, Ø50/30x140
2	4165 92631 50	Cylinderrör Ø50, kompl	Cylinder tube Ø50, cpl
3	4725 26 28 51	Skruv M6S 16x 40- 8.8 FZB	Bolt ISO 4014 - M16 x 40-8.8 FZB
4	4165 85508 00	Kolv, Ø50	Piston, Ø50
5	4165 91331 00	Styrning, Ø50/30	Guide, Ø50/30
6	4165 92635 00	Kolvstång, Ø30x251	Piston rod, Ø30x251
7	4735 31 40 61	Spårring AV 47 FZB	Retaining ring AV 47 FZB
8	4165 84052 00	Låsringshalvor för cyl Ø50	Locking ring for cyl Ø50
9	4165 92638 00	Packningsatts cylinder, Ø50/30	Set of seals, Ø50/30



1366

Pos nr/ Ref No	Detalj nr/ Part No	Benämning	Description
1366 Ö		DEKALER	DECALS
1	4165 98300 00	Dekal: Högt oljetryck	Decal: High pressure fluid-injection into body
2	4165 98301 00	Dekal: Arbetsområde	Decal: Stay a safe distance from the machine
3	4165 25073 00	Dekal: Varning klämrisk	Decal: Warning risk of crushing
4	4165 99101 00	Dekal: Läs instruktionsboken	Decal: Read instruction manual
5	4165 34617 00	Dekal: Färgmärkning, buren plog	Decal: Colour marking, mounted plough
6	4165 97077 00	Reflex	Reflex
7	4165 34754 00	Dekal: ÖVERUM logo, h=43	Decal: ÖVERUM logo, h=43
8	4165 34752 00	Dekal: ÖVERUM logo, h=84	Decal: ÖVERUM logo, h=84
9	4165 34838 00	Dekal: ÖVERUM XCELSIOR DX	Decal: ÖVERUM XCELSIOR DX
10	4165 34840 00	Dekal: ÖVERUM EXCELSIOR DX	Decal: ÖVERUM EXCELSIOR DX
11	4165 34908 00	Dekal: ÖVERUM XCELSIOR DX	Decal: ÖVERUM XCELSIOR DX
12	4165 34909 00	Dekal: ÖVERUM XCELSIOR DX	Decal: ÖVERUM XCELSIOR DX

From serial No. 18 300626

4165 68007 79 – 2019-10-01

You can always find the latest version of the manuals at www.kongskilde.com