

# CX 2



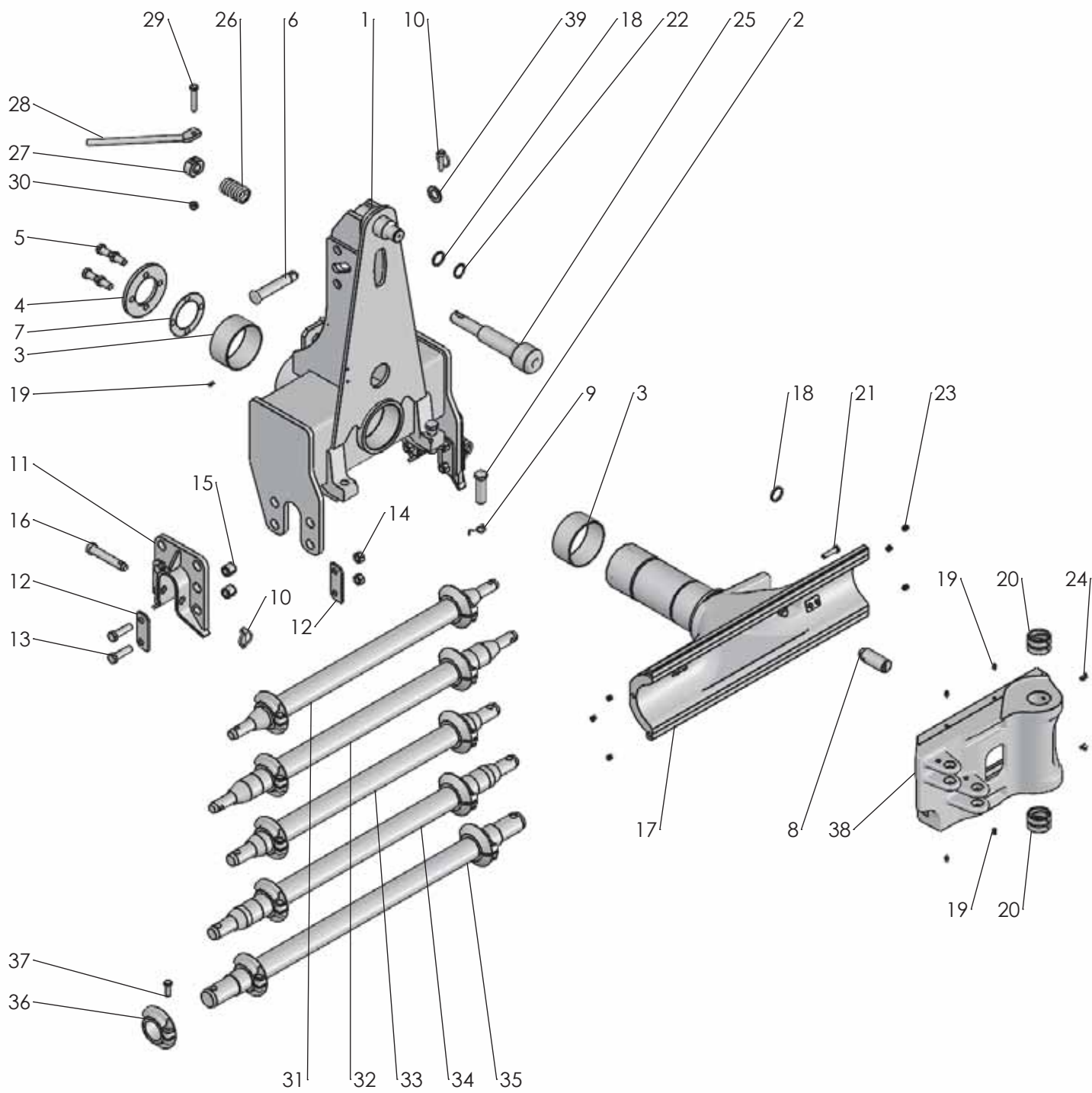
Reservdelista  
Spare parts list  
Ersatzteilliste  
Onderdelenlijst  
Liste de pièce de rechange  
Listino di prezzi de ricambio

Edition:  
**180910**

 **ÖVERUM**

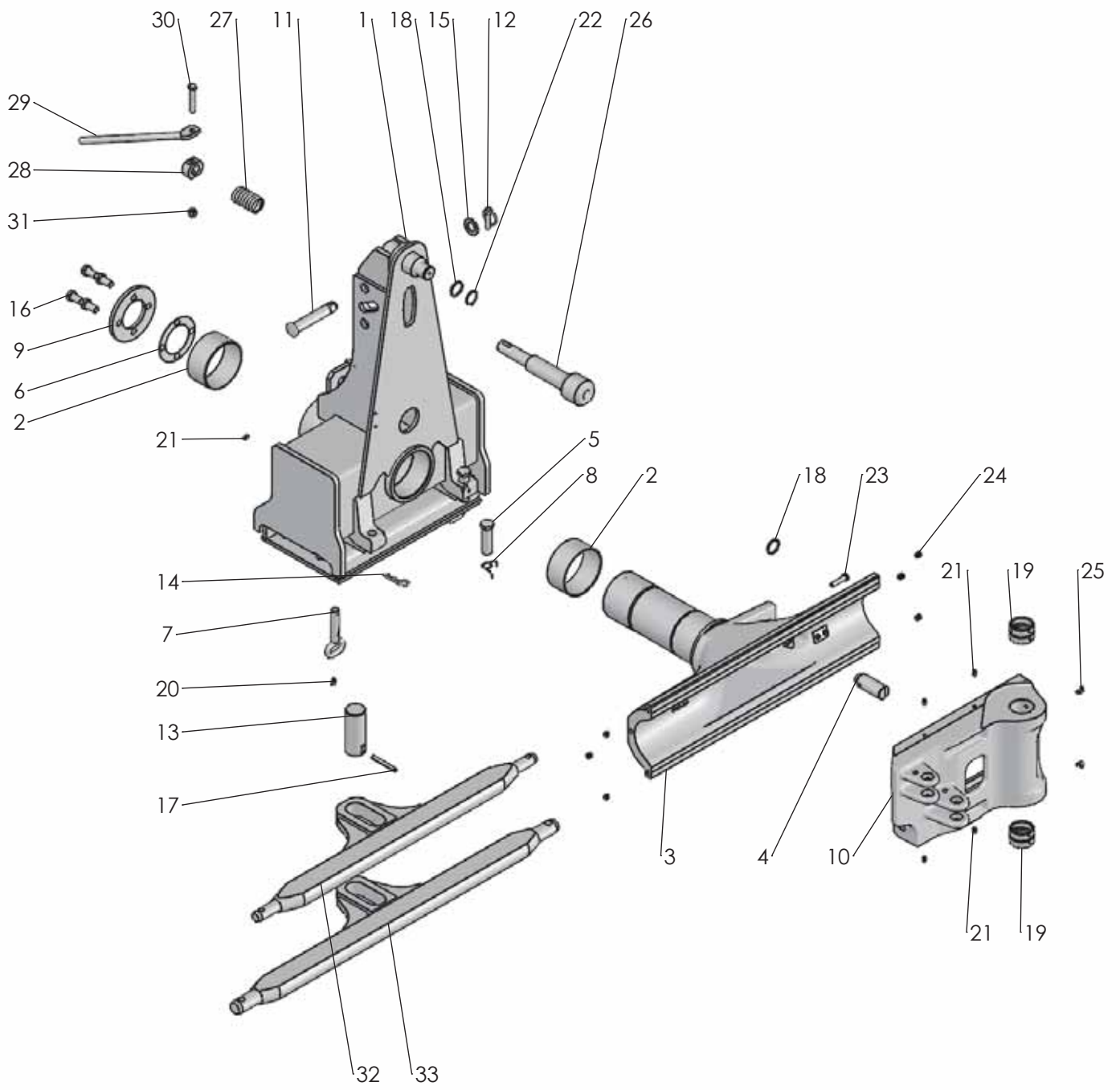


Sida Seite Page Page	Bild Bild Fig.No. Fig.Nº.	Typ	Innehållsförteckning	Inhaltsverzeichnis	Index of contents	Table des matieres
3	1571	CX	TOPP	KOPSTÜCK	HEADSTOCK	TETE
5	1572	CX	TOPP	KOPSTÜCK	HEADSTOCK	TETE
7	1573	CX	RAM	RAHMEN	MAIN FRAME	CHÂSSIS-POUTRE
9	1574	CX-H	RAM	RAHMEN	MAIN FRAME	CHÂSSIS-POUTRE
11	1578	CX-F	RAM	RAHMEN	MAIN FRAME	CHÂSSIS-POUTRE
13	1426		VÄNDCYLINDER	WENDEZYLINDER	REVERSING	VÉRIN CPL.
15	1575	CX	HYDRAULISK UTRÄTNING	HYDRAULISCHE VENTIL	HYDRAULIC VALVE	HYDRAULIQUE SOUPAPE
17	1576	CX	HYDRAULISK UTRÄTNING	HYDRAULISCHE VENTIL	HYDRAULIC VALVE	HYDRAULIQUE SOUPAPE
19	1379	CX	UTRÄTNINGSCYLIND.	ZENTRIRUNG- ZYLINDER	ALIGNMENT CYLINDER	VÉRIN D'ALIGNEM
21	1577	CX	SIDOREGLERING	SCHNITTBREITEN- VERSTELLUNG	FRONT-FURROW ADJUSTER	DEPORTATEURE
23	1429	CX	ÅSHUS	GRINDELGEHÄUSE	BEAM HOUSING	SUPPORT D'AGE
25	1280, 1281	CX-H	STENSÄKRINGS- HYDRAULIK	HYDRAULISCHER STEINSICHERUNG	HYDRAULIC STONE TRIP	DISPOSITIF DE SECURITE HYDRAULIQUE
27	1579	CX-H	STENSÄKRINGS- HYDRAULIK	HYDRAULISCHER STEINSICHERUNG	HYDRAULIC STONE TRIP	DISPOSITIF DE SECURITE HYDRAULIQUE
29	1337	CX	PENDELHJUL	PENDELRAD	PENDULUM WHELL	ROUE PENDULAIRE
31	1332	CX	PENDELHJUL	PENDELRAD	PENDULUM WHELL	ROUE PENDULAIRE
35	1337	CX	HYDRAULISKT PENDELHJUL	HYDRAULISCHER PENDELRAD	HYDRAULIC PENDULUM WHELL	HYDRAULIQUE ROUE PENDULAIRE
39	1337	CX	HYDRAULISK DJUPJUSTERING	HYDRAULISCHER TIEFENKONTROLLE	HYDRAULIC DEPTH ADJUSTEMENT	HYDRAULIQUE CÔNTRÔLE DE DE PROFONDEUR
41	1581	CX	KOMBIHJUL FRIKTIONSÄMPAT	KOMBIRAD	COMBINDE WHEEL	ROUE COMBINASION
43	1392, 538, 698		SKIVRIST	SCHEIBENSECH	DISC COULTER WHEEL	COUTRE COMBINASION
45	103d	XL,XLP	PLOGKROPP	PFLUGKÖRPER	PLOUGH BOTTOMS	CORPS DE CHARRUE
47	1320	XLD	PLOGKROPP	PFLUGKÖRPER	PLOUGH BOTTOMS	CORPS DE CHARRUE
49	660	XU	PLOGKROPP	PFLUGKÖRPER	PLOUGH BOTTOMS	CORPS DE CHARRUE
51	665	XS	PLOGKROPP	PFLUGKÖRPER	PLOUGH BOTTOMS	CORPS DE CHARRUE
53	1520	XSD	PLOGKROPP	PFLUGKÖRPER	PLOUGH BOTTOMS	CORPS DE CHARRUE
55	700	XL,XU,XS XLD, UC	SKÄRVINGE	EINLEGER- STREICHBLECH	COVERBOARD	DEFLECTEUR
55	701,702		FÅRBREDDARE		FURROW WIDENING KNIFE	
57	1010		SKUMRIST	VORSCHÄLER	SKIMMER	RASETTE
59	1583	CX	PACKERARM	PACKERARM	PLOUGH ARM	BARRE DE TRACTION
63	1273		PLOGNYCKLAR	SCHLÜSSEL	SPANNER	CLÉ
65	1388	CX	DEKALER	AUFKLEBER	STICKERS	DECALCOMANIE



1571

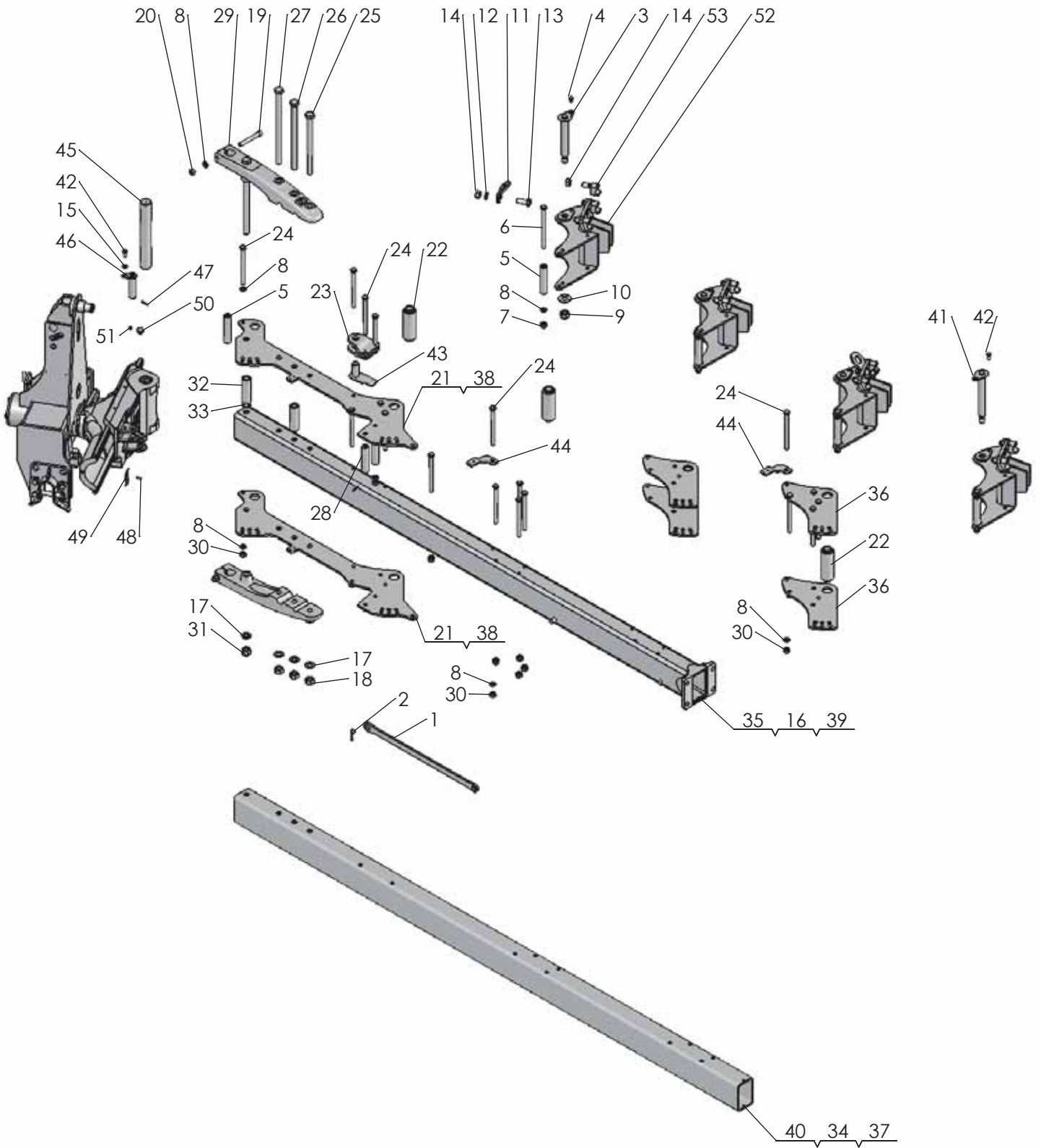
Pos nr/ Ref No	Detalj nr/ Part No	Benämning	Description
1571 Ö		<b>TOPP</b>	<b>HEAD STOCK</b>
1	4165 26640 91	Topp, CX HD	Headstock, CX HD
2	4165 85693 00	Skruv M24x80-10.9 N30, Kullrigt huvud	Bolt M24x80-10.9 N30, Special head
3	4165 85300 00	Glidlager, Ø125/130x60	Slide bearing, Ø125/130x60
4	4165 25772 00	Låsring	Lock ring
5	4725 26 24 81	Skruv M6S 16x30-MW	Bolt ISO 4014 - M16 x 30-10.9 MW
6	4165 96463 00	Toppstångstapp, Ø25,3x146	Top link pin, Ø25,3x146
7	4165 22234 00	Distansring	Distansplate
8	4165 20228 00	Cylindertapp	Cylinder pin
9	4165 85779 00	Friktionsfjäder	Friction spring
10	4165 85005 00	Ringsprint, Ø11x34	Linch pin, Ø11x34
11	4165 94550 90	Bäraxellagring	Cross shaft bracket
12	4165 94552 00	Bricka	Washer
13	4725 26 32 81	Skruv M6S 16x 60-10.9 MW	Bolt ISO 4014 M16x60-10.9 MW
14	4731 23 24 51	Mutter M6M 16-10 MW	Nut ISO-4032 M16-10 MW
15	4165 86240 01	Fjädrande rörpinne FRP 28x 28	Spring pin DIN 1481 S Ø28x28
16	4165 93005 00	Tapp	Pivot pin
17	4165 29224 90	Gejder	Turn-overarm
18	4165 90374 00	Bricka, Ø35/40x3,5	Washer, Ø35/40x3,5
19	4738 88 20 03	Smörjnippel, AM 8x1,25 FZB	Grease nipple, AM 8x1,25 FZB
20	4165 29352 00	Spännbussning, Ø50/60x40	Spring bush, Ø50/60x40
21	4725 25 00 51	Skruv M6S 10x 45- 8.8 FZB	Bolt ISO 4014 - M10 x 45-8.8 FZB
22	4735 31 33 01	Spårring SgA 35 FZB	Circlip DIN 471 - 35 x 1.5
23	4165 23784 00	Plastplugg, Ø13	Protective cap, Ø13
24	4738 88 80 03	Smörjnippel, CM 8x1,25 FZB	Grease nipple, CM 8x1,25 FZB
25	4165 26913 00	Topplås för CX	Locking pin, CX
26	4165 85882 00	Tryckfjäder, Ø6, Dy 43, L=70	Compression spring, Ø6, Dy 43, L=70
27	4165 97001 00	Låsmuff	Locking ring
28	4165 97025 60	Handtag, kompl	Handle, cpl
29	4725 25 46 57	Skruv M6S 12x 70- 8.8 FZV	Bolt ISO 4014 - M12 x 70-8.8 FZV
30	4732 21 22 51	Mutter M6M 12- 8 NF FZB	Nut ISO 7040-M12-8-NF FZB
31	4165 93018 40	Bäraxel kat 2 med infångarkon	Crossshaft cat 2 with cones, cpl
32	4165 96931 41	Bäraxel kat 2L med inf.konor	Crossshaft cat 2L with cones, cpl
33	4165 25100 40	Bäraxel kat 3K med inf.konor	Crossshaft cat 3S with cones
34	4165 93019 41	Bäraxel kat 3 med inf.konor	Crossshaft cat 3 with cones, cpl
35	4165 27658 40	Bäraxel kat 4K med inf.konor	Crossshaft cat 4 with cones
36	4165 93020 40	Infångarkon	Guide cone
37	4725 25 38 81	Skruv M6S 12x 35-10.9 MW	Bolt ISO 4014 - M12 x 35-10.9 MW
38	4165 34001 90	Medbringare CX, VFCX	Turn-Over Arm CX, VFCX
39	4734 12 00 01	Bricka BRB 26x 45 FZB	Washer 26x45-200 HV



1572



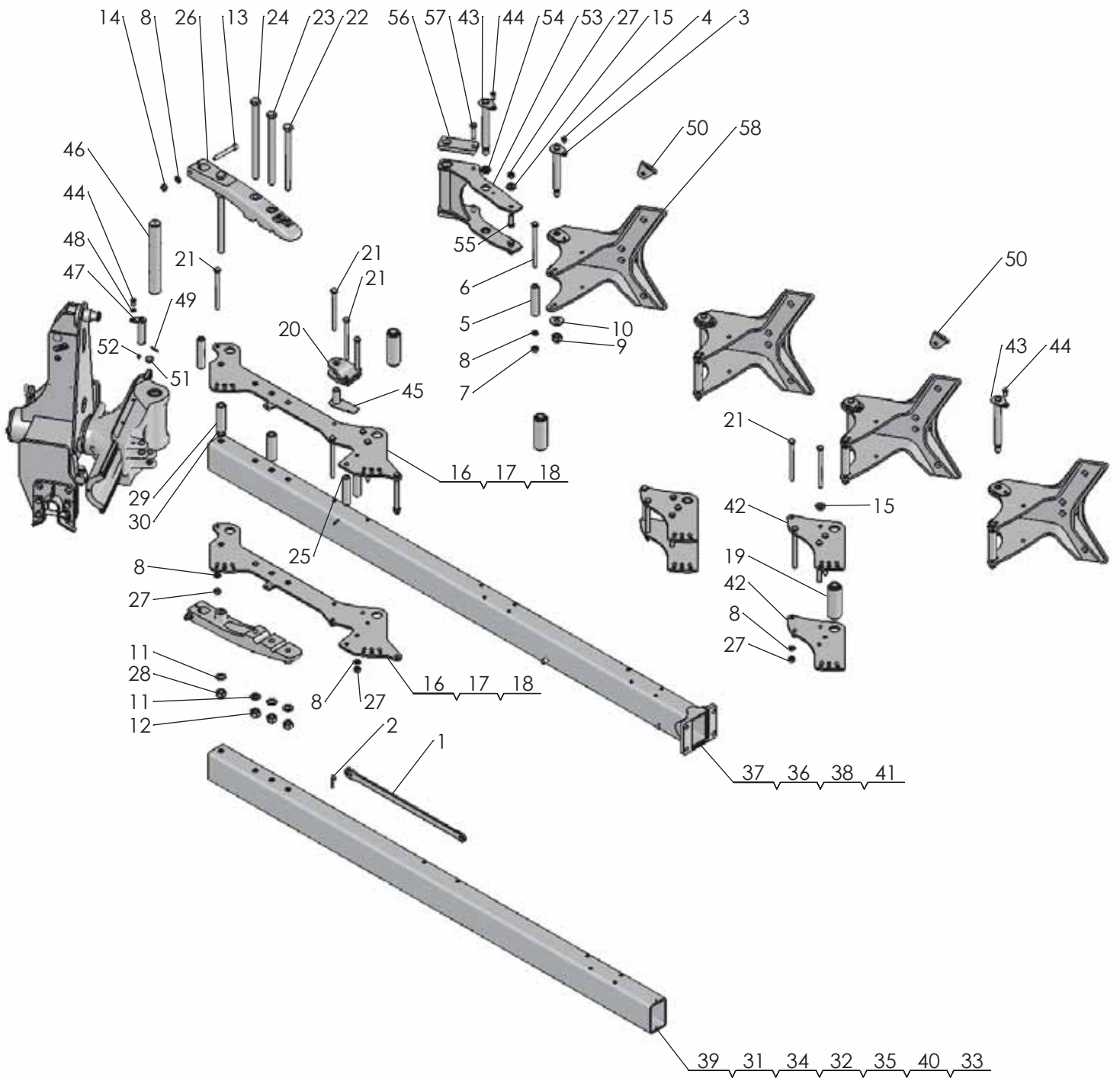
Pos nr/ Ref No	Detalj nr/ Part No	Benämning	Description
1572 Ö		<b>TOPP MED LEDAD BÄRAXEL</b>	<b>HEAD STOCK WITH OCILLATING CROSS SHAFT</b>
1	4165 33657 91	Spansk topp, CX HD	Spanish headstock, CX HD
2	4165 85300 00	Glidlager, Ø125/130x60	Slide bearing, Ø125/130x60
3	4165 29224 90	Gejder	Turn-overarm
4	4165 20228 00	Cylindertapp	Cylinder pin
5	4165 85693 00	Skruv M24x80-10.9 N30, Kullrigt huvud	Bolt M24x80-10.9 N30, Special head
6	4165 22234 00	Distansring	Distansplate
7	4165 95975 00	Säkringstapp, Ø20x95	Safety pin, Ø20x95
8	4165 85779 00	Friktionsfjäder	Friction spring
9	4165 25772 00	Låsring	Lock ring
10	4165 34001 90	Medbringare CX, VFCX	Turn-Over Arm CX, VFCX
11	4165 96463 00	Toppstångstapp, Ø25,3x146	Top link pin, Ø25,3x146
12	4165 85005 00	Ringsprint, Ø11x34	Linch pin, Ø11x34
13	4165 93962 00	Låstapp, Ø50x125	Locking pin, Ø50x125
14	4165 85763 00	Hårnålssprint, Ø3,5	Cotter pin, Ø3,5
15	4734 12 00 01	Bricka BRB 26x 45 FZB	Washer 26x45-200 HV
16	4725 26 24 81	Skruv M6S 16x30-MW	Bolt ISO 4014 - M16 x 30-10.9 MW
17	4721 44 27 01	Fjädrande rörpinne FRP 10x 80 FZB	Spring Pin ISO 8752 - 10 x 80 FZB
18	4165 90374 00	Bricka, Ø35/40x3,5	Washer, Ø35/40x3,5
19	4165 29352 00	Spännbussning, Ø50/60x40	Spring bush, Ø50/60x40
20	4738 88 50 03	Smörjnippel, BM 8x1,25 FZB	Grease nipple, BM 8x1,25 FZB
21	4738 88 20 03	Smörjnippel, AM 8x1,25 FZB	Grease nipple, AM 8x1,25 FZB
22	4735 31 33 01	Spårring SgA 35 FZB	Circlip DIN 471 - 35 x 1.5
23	4725 25 00 51	Skruv M6S 10x 45- 8.8 FZB	Bolt ISO 4014 - M10 x 45-8.8 FZB
24	4165 23784 00	Plastplugg, Ø13	Protective cap, Ø13
25	4738 88 80 03	Smörjnippel, CM 8x1,25 FZB	Grease nipple, CM 8x1,25 FZB
26	4165 26913 00	Topplås för CX	Locking pin, CX
27	4165 85882 00	Tryckfjäder, Ø6, Dy 43, L=70	Compression spring, Ø6, Dy 43, L=70
28	4165 97001 00	Låsmuff	Locking ring
29	4165 97025 60	Handtag, kompl	Handle, cpl
30	4725 25 46 57	Skruv M6S 12x 70- 8.8 FZV	Bolt ISO 4014 - M12 x 70-8.8 FZV
31	4732 21 22 51	Mutter M6M 12- 8 NF FZB	Nut ISO 7040-M12-8-NF FZB
32	4165 99023 40	Bäraxel kat 2, ledad	Cross shaft cat 2, jointed
33	4165 99503 40	Bäraxel kat 3, ledad	Cross shaft cat 3, jointed



1573

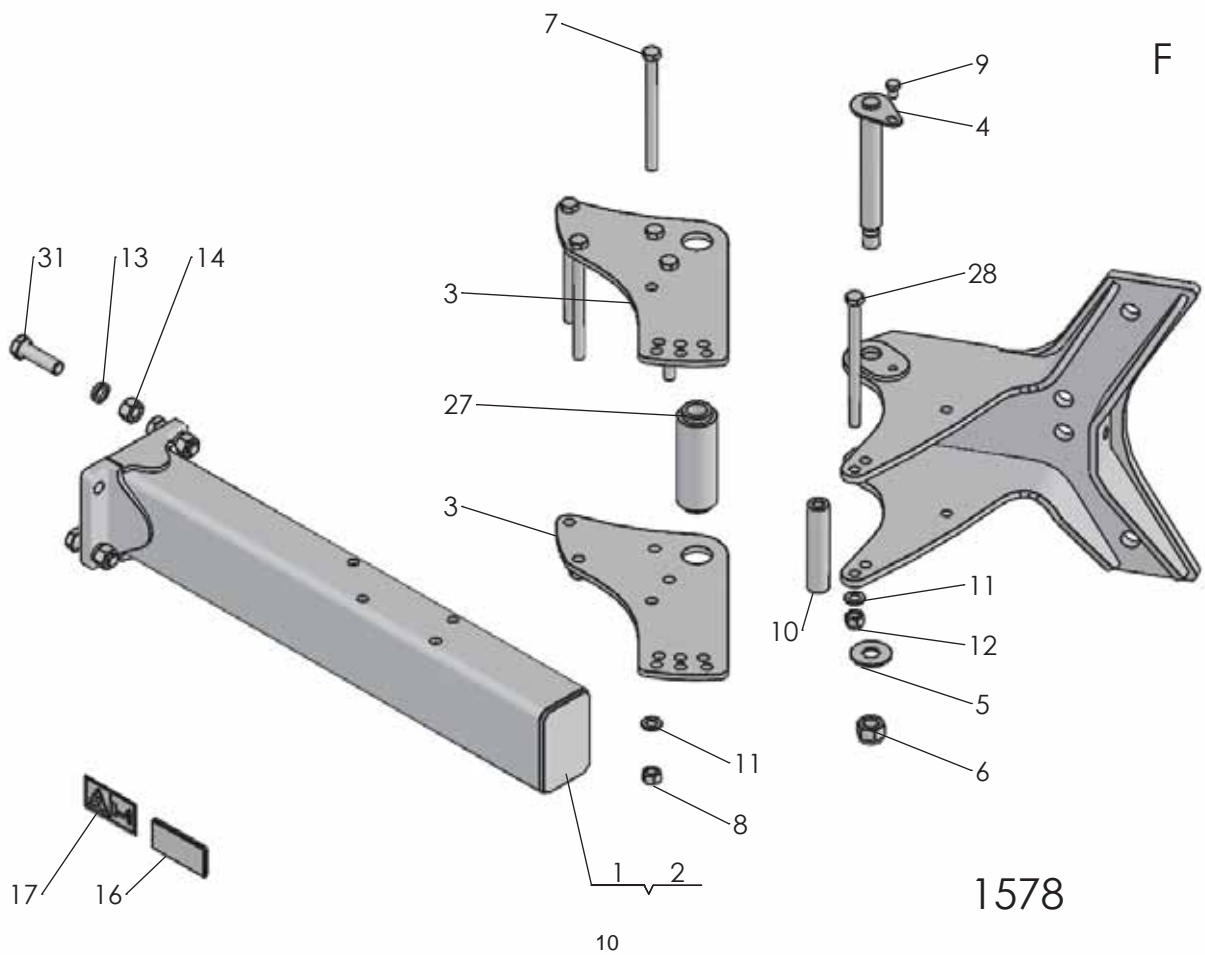
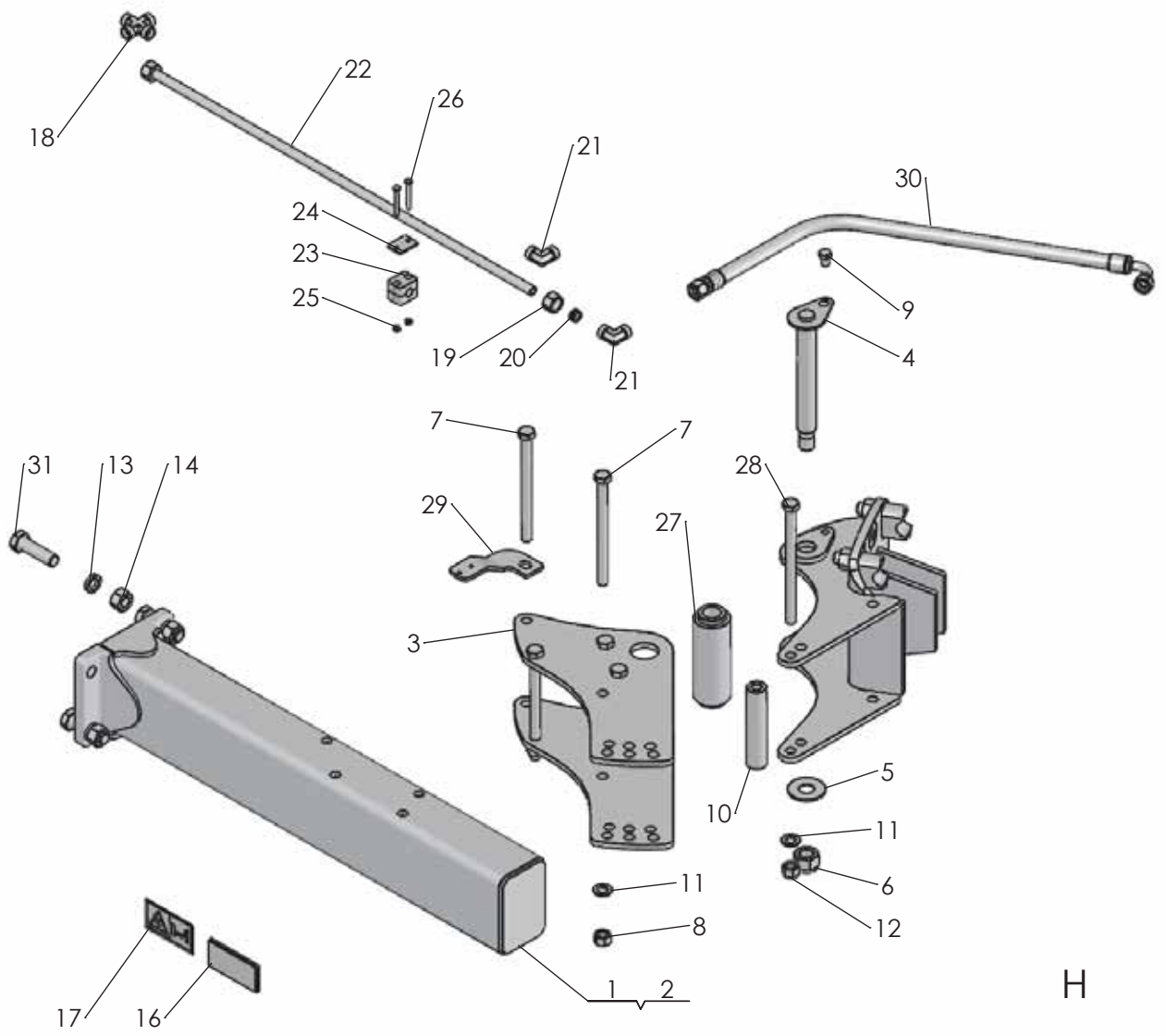


Pos nr/ Ref No	Detalj nr/ Part No	Benämning	Description
2573 Ö		RAM CX2 H	RAM CX2 H
1	4165 86711 00	Plognyckel, NV 24/30	Plough wrench, KW 24/30
2	4165 85763 00	Hårnålssprint, Ø3,5	Cotter pin, Ø3,5
3	4165 34776 00	Låstapp, Ø30/M24x211	Locking pin, Ø30/M24x211
4	4725 25 30 51	Skruv M6S 12x 16- 8.8 FZB	Bolt ISO 4014 - M12 x 16-8.8 FZB
5	4165 97975 00	Hylsa, Ø16/32x149	Sleeve, Ø16/32x149
6	4725 26 54 51	Skruv M6S 16x220- 8.8 FZB	Bolt ISO 4014 - M16 x 220-8.8 FZB
7	4732 21 24 51	Mutter M6M 16- 8 NF FZB	Nut ISO 7040-M16-8-NF FZB
8	4734 11 86 01	Bricka BRB 17x30 FZB	Washer ISO 7089 - 16
9	4732 21 28 51	Mutter M6M 24- 8 NF FZB	Nut ISO 7040-M24-8-NF FZB
10	4165 03617 45	Bricka, Ø25/60x4 FZB	Washer, Ø25/60x4 FZB
11	4165 22243 60	Lyffäste, Ø20,5	Lifting device, Ø20,5
12	4734 11 92 01	Bricka BRB 21x 37 FZB	Washer ISO 7089-M20-200 HV
13	4725 26 74 81	Skruv M6S 20x 50-10.9 MW	Bolt ISO 4014 - M20 x 50-10.9 MW
14	4731 23 26 51	Mutter M6M 20-10 MW	Nut ISO - 4032 - M20-10 MW
15	4734 11 78 01	Bricka BRB 13x 24 FZB	Washer ISO 7089 - 12 FZB
16	4165 34431 90	Ram CX II 390 E	Frame CX II 390 E
17	4734 11 98 01	Bricka BRB 25x 44 FZB	Washer ISO 7089 - 24
18	4731 23 28 51	Mutter M6M 24-10 MW	Nut ISO - 4032 - M24-10 MW
19	4725 56 44 91	Skruv MC6S 16x120-12.9 MW	Screw ISO 4762-16x120-12.9 MW
20	4165 03607 05	Mutter M6M 16-12 MW	Nut ISO 4032-16-12 MW
21	4165 36412 90	Länklätt CX 900 bearbetning	Linkplate CX 900 machining
22	4165 33578 90	Hylsa	Sleeve
23	4165 33727 90	Cylinderfäste	cylinderbracket
24	4725 26 53 81	Skruv M6S 16x200-10.9 MW	Bolt ISO 4014 - M16 x200-10.9 MW
25	4725 27 47 81	Skruv M6S 24x320-10.9 FZB	Bolt ISO 4014 - M24 x320-10.9 FZB
26	4725 27 49 81	Skruv M6S 24x360-10.9 MW	Bolt ISO 4014 - M24 x360-10.9 MW
27	4725 27 51 81	Skruv M6S 24x400-10.9 MW	Bolt ISO 4014 - M24 x400-10.9 MW
28	4165 34074 00	Hylsa, Ø16/32x139	Sleeve, Ø16/32x139
29	4165 34113 90	Länk bearbetning	Link machining
30	4731 23 24 51	Mutter M6M 16-10 MW	Nut ISO-4032 M16-10 MW
31	4165 03650 09	Mutter M6M 24-10 NF MW	Nut ISO-7040-M24-10 MW
32	4165 23336 00	Hylsa, Ø25/40x132,2	Sleeve, Ø25/40x132,2
33	4165 35196 00	Bricka, Ø24,5/50x1	Washer, Ø24,5/50x1
34	4165 35271 90	Ram CX II 390	Frame CX II 390
35	4165 34432 90	Ram CX II 490 E	Frame CX II 490 E
36	4165 34064 90	Sidplåt	Side plate
37	4165 35274 90	Ram CX II 3100	Frame CX II 3100
38	4165 36419 90	Länklätt CX 1000 bearbetning	Linkplate CX 1000 machining
39	4165 34434 90	Ram CX II 3100 E	Frame CX II 3100 E
40	4165 34935 90	Ram CX II 4100	Frame CX II 4100
41	4165 34778 00	Låstapp, Ø30/M24x231	Locking pin, Ø30/M24x231
42	4725 25 34 51	Skruv M6S 12x 25- 8.8 FZB	Bolt ISO 4014 - M12 x 25-8.8 FZB
43	4165 34466 00	Låstapp, Ø30x70	Locking pin, Ø30x70
44	4165 25564 00	Klammerfäste	Clamp bracket
45	4165 34078 90	Länkaxel	Link axle
46	4165 34587 00	Låstapp, Ø30x119	Locking pin, Ø30x119
47	4721 43 47 01	Fjädrande rörpinne FRP 6x 40 FZB	Spring Pin ISO 8752 - 6 x 40 FZB
48	4725 23 68 51	Skruv M6S 6x 16- 8.8 FZB	Bolt ISO 4014 - M6 x 16-8.8 FZB
49	4165 28855 00	Hållare	Bracket
50	4165 37010 00	Skyddsplugg, Ø30	Protective cap, Ø30
51	4165 23784 00	Plastplugg, Ø13	Protective cap, Ø13
52	4165 33576 90	Åshus	Beamhouse
53	4165 30679 00	Säte excentriskt M20	Seat eccentric M20

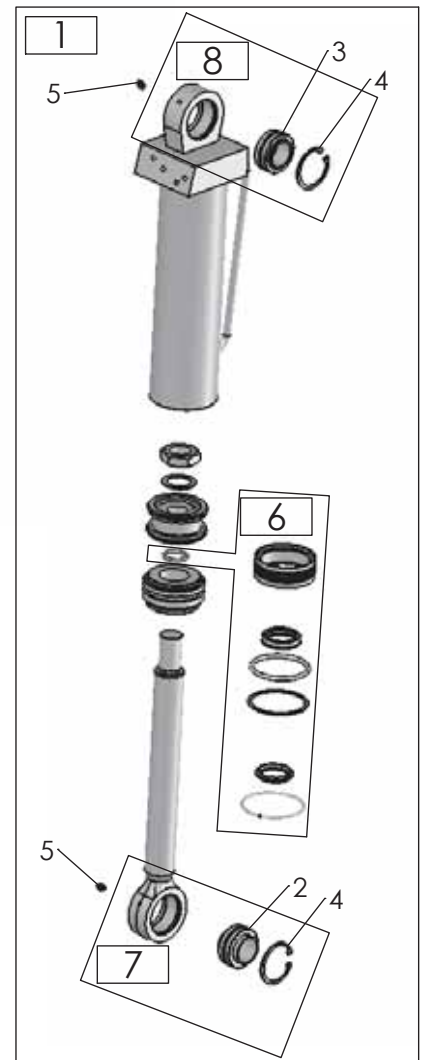
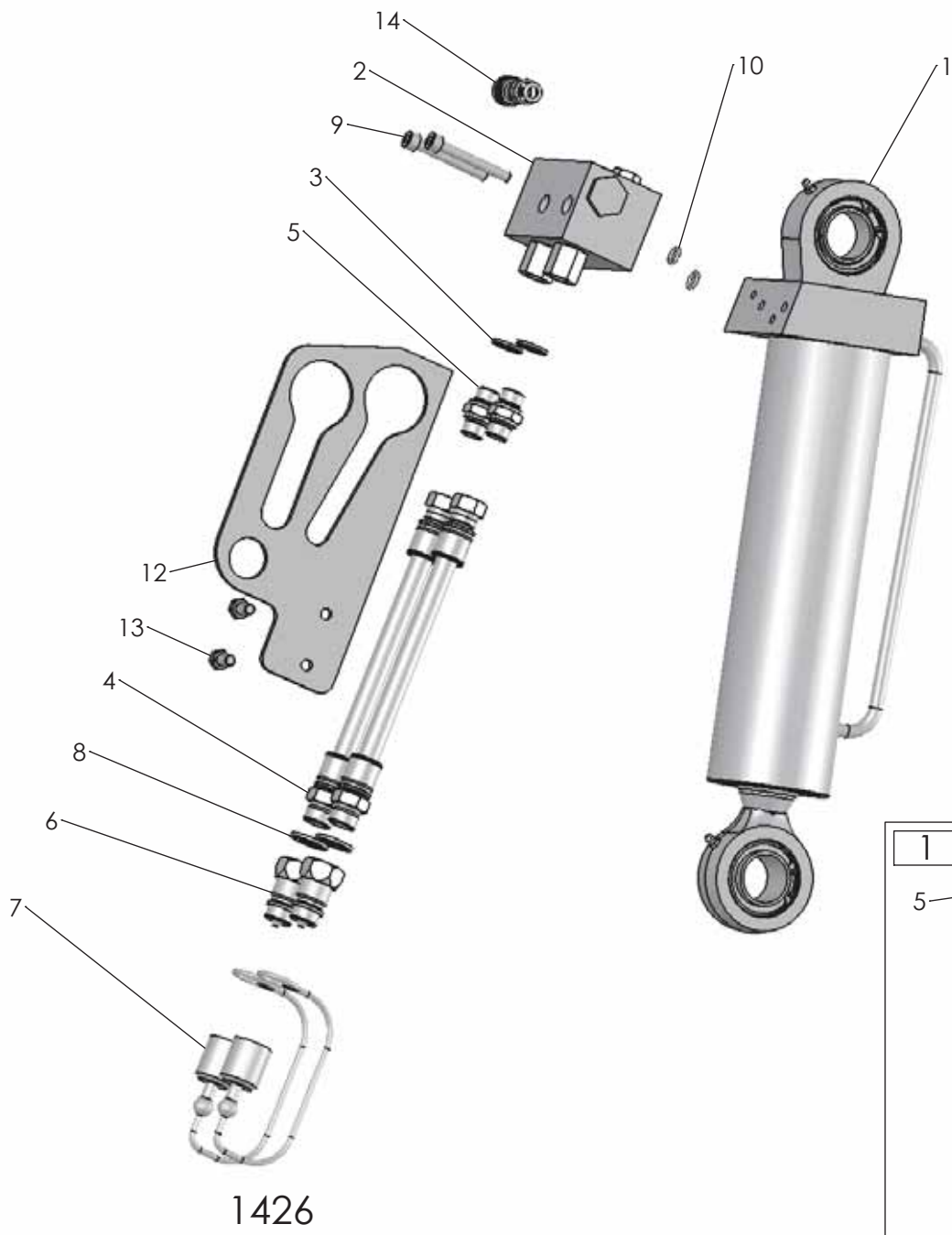


1574

Pos nr/ Ref No	Detalj nr/ Part No	Benämning	Description
1574 Ö		RAM CX2 F	FRAME CX2 F
1	4165 86711 00	Plognyckel, NV 24/30	Plough wrench, KW 24/30
2	4165 85763 00	Hårnålssprint, Ø3,5	Cotter pin, Ø3,5
3	4165 34776 00	Låstapp, Ø30/M24x211	Locking pin, Ø30/M24x211
4	4725 25 30 51	Skruv M6S 12x 16- 8.8 FZB	Bolt ISO 4014 - M12 x 16-8.8 FZB
5	4165 97975 00	Hylsa, Ø16/32x149	Sleeve, Ø16/32x149
6	4725 26 54 51	Skruv M6S 16x220- 8.8 FZB	Bolt ISO 4014 - M16 x 220-8.8 FZB
7	4732 21 24 51	Mutter M6M 16- 8 NF FZB	Nut ISO 7040-M16-8-NF FZB
8	4734 11 86 01	Bricka BRB 17x30 FZB	Washer ISO 7089 - 16
9	4732 21 28 51	Mutter M6M 24- 8 NF FZB	Nut ISO 7040-M24-8-NF FZB
10	4165 03617 45	Bricka, Ø25/60x4 FZB	Washer, Ø25/60x4 FZB
11	4734 11 98 01	Bricka BRB 25x 44 FZB	Washer ISO 7089 - 24
12	4731 23 28 51	Mutter M6M 24-10 MW	Nut ISO - 4032 - M24-10 MW
13	4725 56 44 91	Skruv MC6S 16x120-12.9 MW	Screw ISO 4762-16x120-12.9 MW
14	4165 03607 05	Mutter M6M 16-12 MW	Nut ISO 4032-16-12 MW
15	4165 85884 00	Bricka, Ø17/38x10	Washer, Ø17/38x10
16	4165 36412 90	Länklåt CX 900 bearbetning	Linkplate CX 900 machining
17	4165 36419 90	Länklåt CX 1000 bearbetning	Linkplate CX 1000 machining
18	4165 36410 90	Länklåt CX II FD 1000 bearbetning	Linkplate CX II FD 1000 machining
19	4165 33578 90	Hylsa	Sleeve
20	4165 33727 90	Cylinderfäste	cylinderbracket
21	4725 26 53 81	Skruv M6S 16x200-10.9 MW	Bolt ISO 4014 - M16 x200-10.9 MW
22	4725 27 47 81	Skruv M6S 24x320-10.9 FZB	Bolt ISO 4014 - M24 x320-10.9 FZB
23	4725 27 49 81	Skruv M6S 24x360-10.9 MW	Bolt ISO 4014 - M24 x360-10.9 MW
24	4725 27 51 81	Skruv M6S 24x400-10.9 MW	Bolt ISO 4014 - M24 x400-10.9 MW
25	4165 34074 00	Hylsa, Ø16/32x139	Sleeve, Ø16/32x139
26	4165 34113 90	Länk bearbetning	Link machining
27	4731 23 24 51	Mutter M6M 16-10 MW	Nut ISO-4032 M16-10 MW
28	4165 03650 09	Mutter M6M 24-10 NF MW	Nut ISO-7040-M24-10 MW
29	4165 23336 00	Hylsa, Ø25/40x132,2	Sleeve, Ø25/40x132,2
30	4165 35196 00	Bricka, Ø24,5/50x1	Washer, Ø24,5/50x1
31	4165 35271 90	Ram CX II 390	Frame CX II 390
32	4165 35227 90	Ram CX II 490	Frame CX II 490
33	4165 34433 90	Ram CX II 590	Frame CX II 590
34	4165 35274 90	Ram CX II 3100	Frame CX II 3100
35	4165 34935 90	Ram CX II 4100	Frame CX II 4100
36	4165 34431 90	Ram CX II 390 E	Frame CX II 390 E
37	4165 34432 90	Ram CX II 490 E	Frame CX II 490 E
38	4165 34434 90	Ram CX II 3100 E	Frame CX II 3100 E
39	4165 35277 90	Ram CX II 3100 FD	Frame CX II 3100 FD
40	4165 34938 90	Ram CX II 4100 FD	Frame CX II 4100 FD
41	4165 34437 90	Ram CX II 3100 FDE	Frame CX II 3100 FDE
42	4165 34064 90	Sidplåt	Side plate
43	4165 34778 00	Låstapp, Ø30/M24x231	Locking pin, Ø30/M24x231
44	4725 25 34 51	Skruv M6S 12x 25- 8.8 FZB	Bolt ISO 4014 - M12 x 25-8.8 FZB
45	4165 34466 00	Låstapp, Ø30x70	Locking pin, Ø30x70
46	4165 34078 90	Länkaxel	Link axle
47	4165 34587 00	Låstapp, Ø30x119	Locking pin, Ø30x119
48	4734 11 78 01	Bricka BRB 13x 24 FZB	Washer ISO 7089 - 12 FZB
49	4721 43 47 01	Fjädrande rörpinne FRP 6x 40 FZB	Spring Pin ISO 8752 - 6 x 40 FZB
50	4165 24293 60	Lyffafäste, Ø16,5	Lifting device, Ø16,5
51	4165 37010 00	Skyddsplugg, Ø30	Protective cap, Ø30
52	4165 23784 00	Plastplugg, Ø13	Protective cap, Ø13
53	4165 23100 90	Skivristfäste, VFCX F	Disc coultter bracket, VFCX F
54	4165 34652 00	Bricka, Ø30,25/40x9,7	Washer, Ø30,25/40x9,7
55	4165 20377 00	Skruv, M6S 16x50-10.9 MW	Bolt, M6S 16x50-10.9 MW
56	4165 34391 40	Distans	Spacer
57	4725 26 33 81	Skruv M6S 16x 65-10.9 MW	Bolt ISO 4014 M16x65 -10.9 MW
58	4165 33736 90	Fast åshus	Beam house



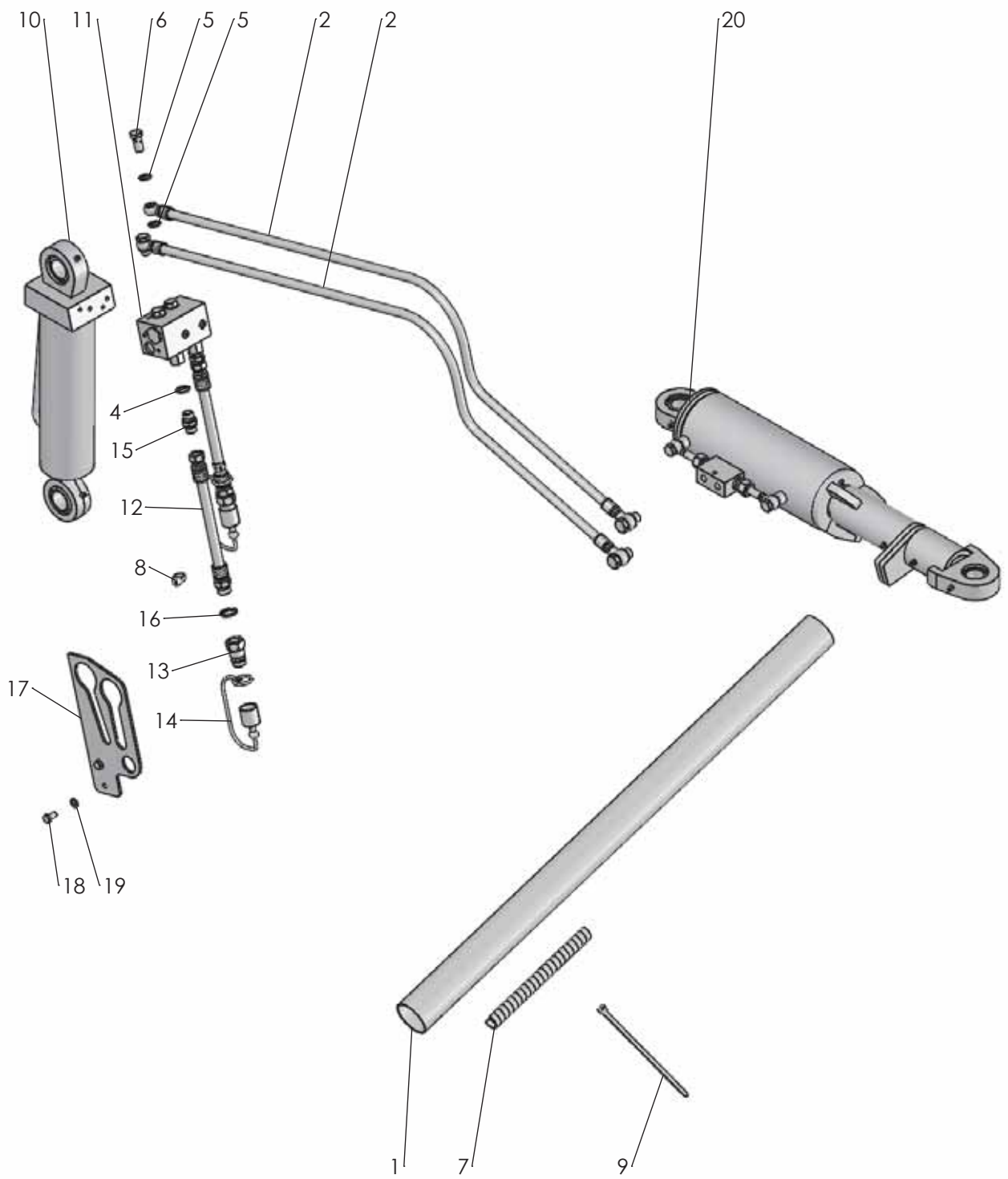
Pos nr/ Ref No	Detalj nr/ Part No	Benämning	Description
1578		SKARVRAM H&F	EXTENSION FRAME H&F
1	4165 34440 90	Ram CX II 190 E	Frame CX II 190 E
2	4165 34441 90	Ram CX II 1100 E	Frame CX II 1100 E
3	4165 34064 90	Sidplåt	Side plate
4	4165 34776 00	Låstapp, Ø30/M24x211	Locking pin, Ø30/M24x211
5	4165 03617 45	Bricka, Ø25/60x4 FZB	Washer, Ø25/60x4 FZB
6	4732 21 28 51	Mutter M6M 24- 8 NF FZB	Nut ISO 7040-M24-8-NF FZB
7	4725 26 53 81	Skruv M6S 16x200-10.9 MW	Bolt ISO 4014 - M16 x200-10.9 MW
8	4731 23 24 51	Mutter M6M 16-10 MW	Nut ISO-4032 M16-10 MW
9	4725 25 30 51	Skruv M6S 12x 16- 8.8 FZB	Bolt ISO 4014 - M12 x 16-8.8 FZB
10	4165 97975 00	Hylsa, Ø16/32x149	Sleeve, Ø16/32x149
11	4734 11 86 01	Bricka BRB 17x30 FZB	Washer ISO 7089 - 16
12	4732 21 24 51	Mutter M6M 16- 8 NF FZB	Nut ISO 7040-M16-8-NF FZB
13	4165 34319 00	Bricka, Ø20,5/30x6	Washer, Ø20,5/30x6
14	4731 23 26 51	Mutter M6M 20-10 MW	Nut ISO - 4032 - M20-10 MW
15	4165 34754 00	Dekal: ÖVERUM logo, h=43	Decal: ÖVERUM logo, h=43
16	4165 97077 00	Reflex	Reflex
17	4165 98301 00	Dekal: Arbetsområde	Decal: Stay a safe distance from the machine
18	4165 75928 00	X-adapt, M22x1,5	X-union, M22x1,5
19	4165 75934 00	Mutter, M22x1,5	Nut, M22x1,5
20	4165 75935 00	Skärring Ø15	Cutting ring Ø15
21	4165 75747 00	L-adapt, M22x1,5	L-union, M22x1,5
22	4165 91936 00	Hydraulrör, RH 15x2, L= 857	Hydraulic tube, RH 15x2, L=857
23	4165 91204 00	Klammerpar, Ø15	Tube clamps, Ø15
24	4165 91205 00	Täckplatta 26	Covering plate 26
25	4731 23 16 01	Mutter M6M 6- 8 FZB	Nut ISO - 4032 - M6-8 FZB
26	4725 23 80 51	Skruv M6S 6x 50- 8.8 FZB	Bolt ISO 4014 - M6 x 50-8.8 FZB
27	4165 33578 90	Hylsa	Sleeve
28	4725 26 54 51	Skruv M6S 16x220- 8.8 FZB	Bolt ISO 4014 - M16 x 220-8.8 FZB
29	4165 25564 00	Klammerfäste	Clamp bracket
30	4165 98837 00	Hydraulslang, L=680	Hydraulic hose, L=680
31	4725 26 78 81	Skruv M6S 20x 70-10.9 MW	Bolt ISO 4014 - M20 x 70-10.9 MW





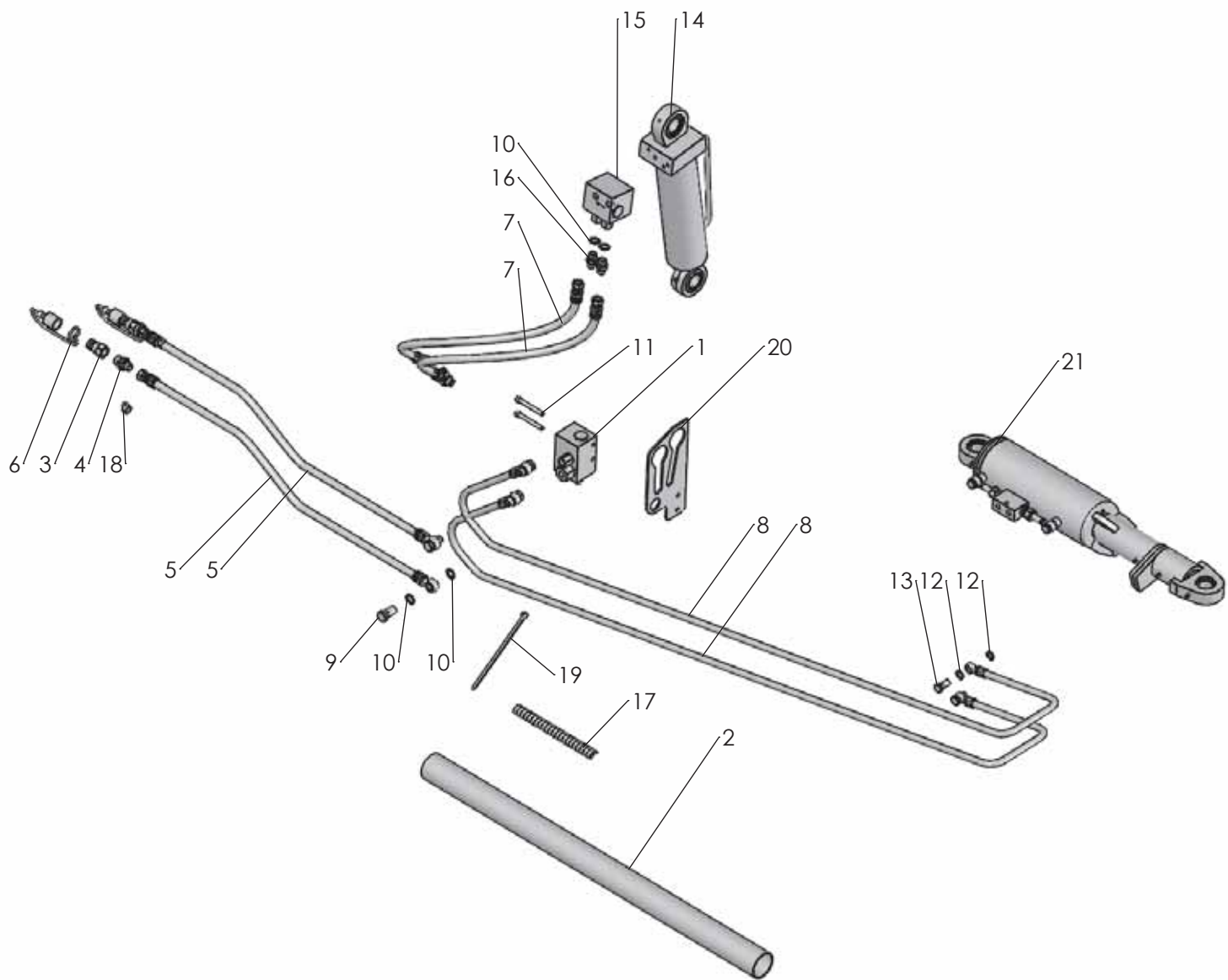
Pos nr/ Ref No	Detalj nr/ Part No	Benämning	Description
1426 Ö		<b>VÄNDCYLINDER</b>	<b>TURNING CYLINDER</b>
1	4165 25514 50	Vändcylinder M03, utan ventil	Turning cylinder M03, without valve
2	4165 25511 50	Ventilblock PP DMV5-105603	Valve block PP DMV5-105603
3	4165 94417 00	Gummistålbricka, G3/8	Bonded seal, G3/8
4	4165 98835 00	Hydraulslang 3/8, L=1500	Hydraulic hose 3/8, L=1500
5	4165 92434 00	Rak adapt, 3/8" - 3/8"	Stright union, 3/8" - 3/8"
6	4165 74814 00	Handel 1/2"	Quick coupling M, 1/2"
7	4165 78383 00	Handelsskydd	Protective cap
8	4165 80316 00	Gummistålbricka, G1/2	Bonded seal, G1/2
9	4725 54 63 91	Skruv MC6S 8x 60-12.9 MW	Screw ISO 4762- 8x 60-12.9 MW
10	4740 43 07 00	O-ring, OR 9.3x2.4	O-ring, OR 9.3x2.4
12	4165 34351 00	Slanghållare	Hosebracket
13	4725 24 49 51	Skruv M6S 8x 16- 8.8 FZB	Bolt ISO 4014 - M8 x 16-8.8 FZB
14	4165 26080 00	Backventilsats	Check valve set

Pos nr/ Ref No	Detalj nr/ Part No	Benämning	Description
1	4165 25514 50	Vändcylinder M03, utan ventil	Turning cylinder M03, without valve
2	4165 91308 01	Ledlager breddad innerring	Bearing
3	4165 86405 03	Ledlager, Ø35	Spherical plain bearing, Ø35
4	4735 31 44 11	Spårring SgH 55 FZB	Circlip DIN 472 - 55 x 2
5	4738 88 10 01	Smörjnippel, AH M6 FZB	Grease nipple, AH M6 FZB
6	4165 94668 00	Packningssats till vändcylinder	Seal kit for turn over cylinder
7	4165 20585 00	Kolvstångsöra, kompl	Rod piston ear compl.
8	4165 96945 00	Cylinderöra Power Packer	Welding part ear



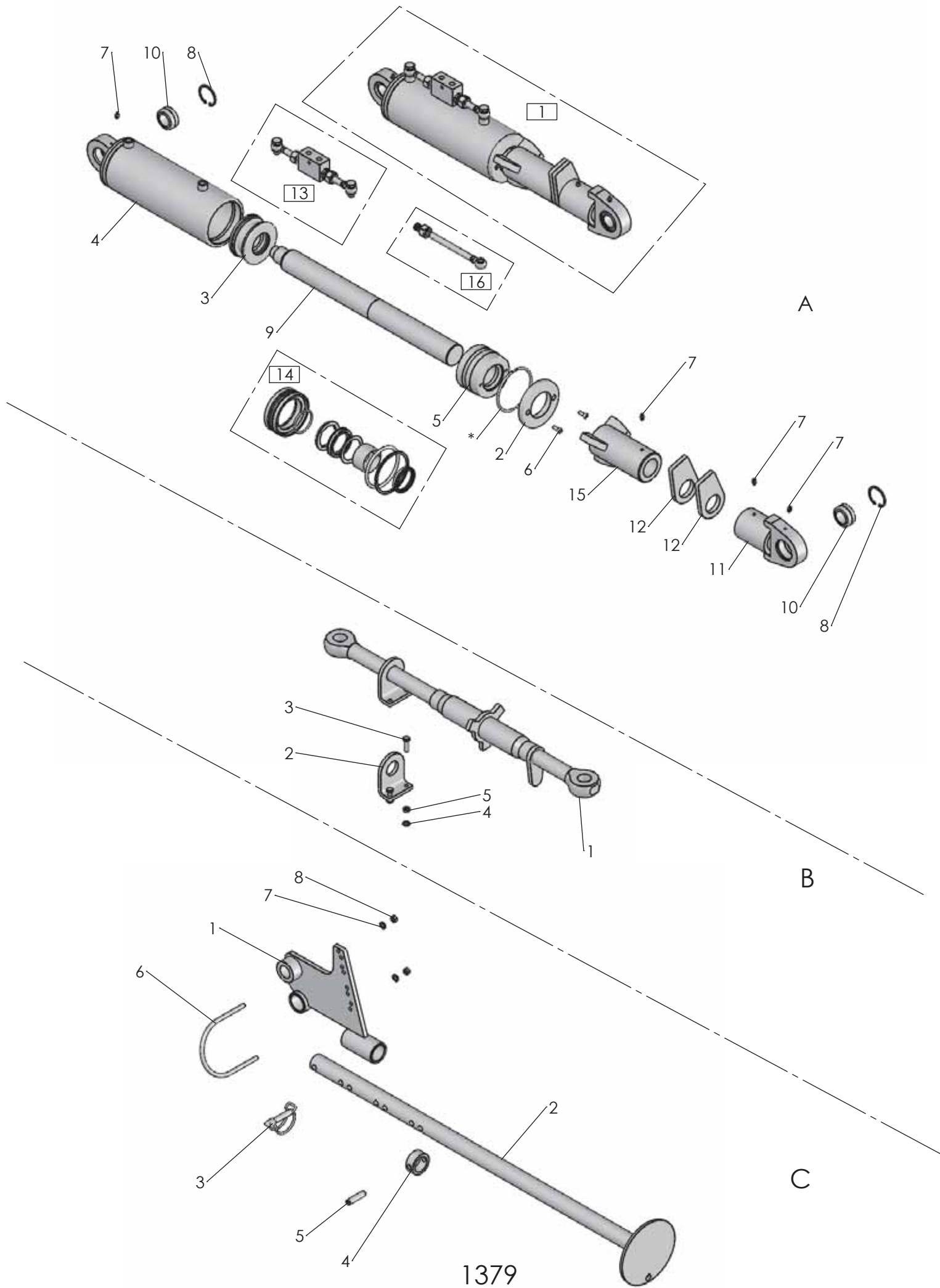
1575

Pos nr/ Ref No	Detalj nr/ Part No	Benämning	Description
1575 Ö		<b>HYDRAULIK UNDERVÄNDNING</b>	<b>HYDRAULICS TURNING UNDER</b>
1	4165 21043 00	Skydds slang, Ø59,4/63x1000	Protective hose, Ø59,4/63x1000
2	4165 25532 00	Hydraul slang 1/4"3/8" banjo L=2800	Hydraulic hose 1/4"3/8" banjo L=2800
3	4165 95774 00	Banjokrøv 3/8"	Banjo bolt 3/8"
4	4165 94417 00	Gummistålbricka, G3/8	Bonded seal, G3/8
5	4165 12983 01	Gummistålbricka, G1/4"	Bonded seal, G1/4
6	4165 23339 00	Banjokrøv 1/4" L=28	Banjo bolt
7	4165 92933 00	Plastspiral, L=250	Plastic spiral, L=250
8	4165 23589 00	Buntband svart, L=206	Cable tie black, L=206
9	4165 23589 00	Buntband svart, L=206	Cable tie black, L=206
10	4165 25514 50	Vändcylinder M03, utan ventil	Turning cylinder M03, without valve
11	4165 25511 50	Ventilblock PP DMV5-105603	Valve block PP DMV5-105603
12	4165 98835 00	Hydraul slang 3/8, L=1500	Hydraulic hose 3/8, L=1500
13	4165 74814 00	Handel 1/2"	Quick coupling M, 1/2"
14	4165 78383 00	Handelsskydd	Protective cap
15	4165 92434 00	Rak adapt, 3/8" - 3/8"	Stright union, 3/8" - 3/8"
16	4165 80316 00	Gummistålbricka, G1/2	Bonded seal, G1/2
17	4165 34351 00	Slanghållare	Hosebracket
18	4725 24 49 51	Skrøv M6S 8x 16- 8.8 FZB	Bolt ISO 4014 - M8 x 16-8.8 FZB
19	4734 11 64 01	Bricka BRB 8,4x16 FZB	Washer ISO 7089 - 8
20	4165 34384 00	Hydraulcylinder med backventil	Hydraulic cylinder and checkvalve



1576

Pos nr/ Ref No	Detalj nr/ Part No	Benämning	Description
1576 Ö		<b>HYDRAULIK ÖVERVÄNDNING</b>	<b>HYDRAULICS TURNING OVER</b>
1	4165 27009 50	Ventilblock Forhydro	Hydraulic block Forhydro
2	4165 21043 00	Skyddsslang, Ø59,4/63x1000	Protective hose, Ø59,4/63x1000
3	4165 74814 00	Handel 1/2"	Quick coupling M, 1/2"
4	4165 92438 00	Rak adapt, 1/2" - 3/8"	Stright union
5	4165 21705 00	Hydraulslang, L=1500	Hydraulic hose, L=1500
6	4165 78383 00	Handelsskydd	Protective cap
7	4165 21429 00	Hydraulslang, L=600	Hydraulic hose, L=600
8	4165 25070 00	Hydraulslang 1/4, L=2450	Hydraulic hose 1/4, L=2450
9	4165 95774 00	Banjokrøv 3/8"	Banjo bolt 3/8"
10	4165 94417 00	Gummistålbricka, G3/8	Bonded seal, G3/8
11	4725 54 65 01	Skrøv MC6S 8x 70- 8.8 FZB	Bolt ISO 4762- M8x70- 8.8 FZB
12	4165 12983 01	Gummistålbricka, G1/4"	Bonded seal, G1/4
13	4165 23339 00	Banjokrøv 1/4" L=28	Banjo bolt
14	4165 25514 50	Vändcylinder M03, utan ventil	Turning cylinder M03, without valve
15	4165 27004 50	Ventilblock Forhydro RFM-2CL	Hydraulic block Forhydro RFM-2CL
16	4165 92434 00	Rak adapt, 3/8" - 3/8"	Stright union, 3/8" - 3/8"
17	4165 92933 00	Plastspiral, L=250	Plastic spiral, L=250
18	4165 23589 00	Buntband svart, L=206	Cable tie black, L=206
19	4165 23589 00	Buntband svart, L=206	Cable tie black, L=206
20	4165 34351 00	Slanghållare	Hosebracket
21	4165 34384 00	Hydraulcylinder med backventil	Hydraulic cylinder and checkvalve

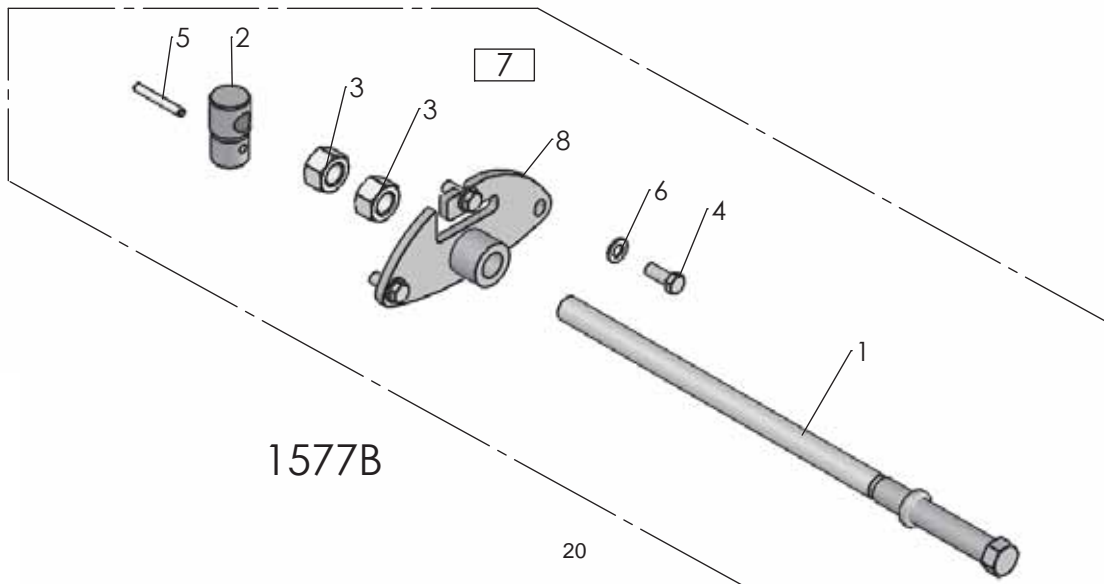
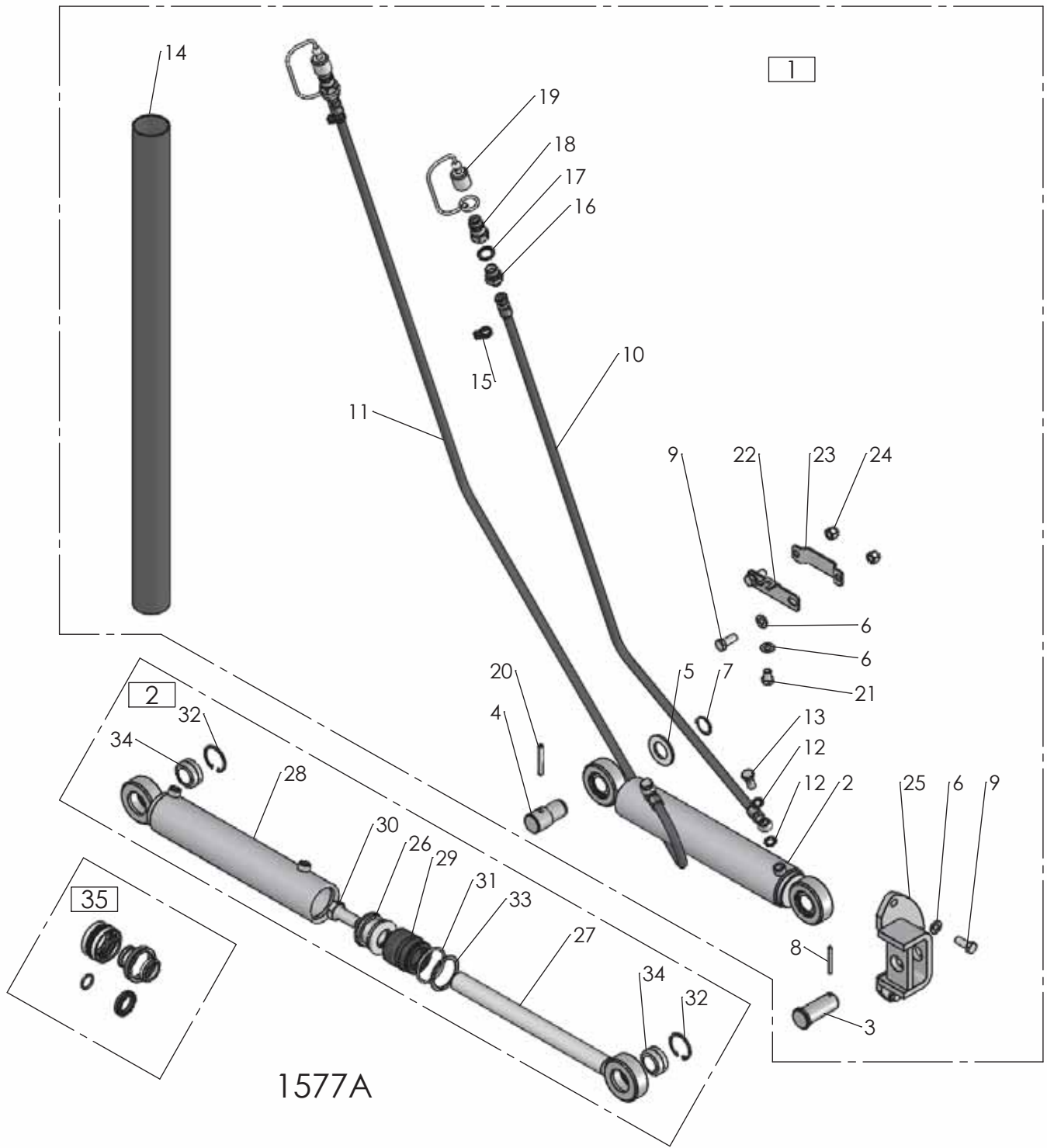




Pos nr/ Ref No	Detalj nr/ Part No	Benämning	Description
<b>1379A Ö</b>		<b>UTRÄTNINGSCYLINDER</b>	<b>ALIGNMENT CYLINDER</b>
1	4165 34384 00	Hydraulcylinder med backventil	Hydraulic cylinder and checkvalve
2	4165 93829 50	Låsbricka	Lock washer
3	4165 93826 00	Kolv, Ø100/50	Piston, Ø100/50
4	4165 34382 50	Cylinderrör Ø100, komplett	Cylinder tube Ø100, cpl
5	4165 93827 00	Styrning, Ø100/50	Guide, Ø100/50
6	4725 53 68 01	Skruv MC6S 6x 16- 8.8 FZB	Bolt ISO 4762 M6 x 16-8.8 FZB
7	4738 88 10 01	Smörjnippel, AH M6 FZB	Grease nipple, AH M6 FZB
8	4735 31 40 11	Spärring SgH 47 FZB	Circlip DIN 472 - 47 x 1.75
9	4165 34385 00	Kolvstång, Ø50	Piston rod, Ø50
10	4165 86405 02	Ledlager, Ø30	Spherical plain bearing, Ø30
11	4165 27786 50	Cylinderöra, komplett	Adjustable cylinderedge
12	4165 27787 50	Låsarm, M50x2	Locking arm, M50x2
13	4165 34557 00	Pilotstyrd backventil, L=225	Pilot operated check valve, L=225
14	4165 93841 00	Packningssats, Ø100/50	Sealing kit, Ø100/50
15	4165 34386 00	Nivåjustering	Adjustment
16	4165 27753 00	Stolpe, mutter, skärring	Rack, nut, olive

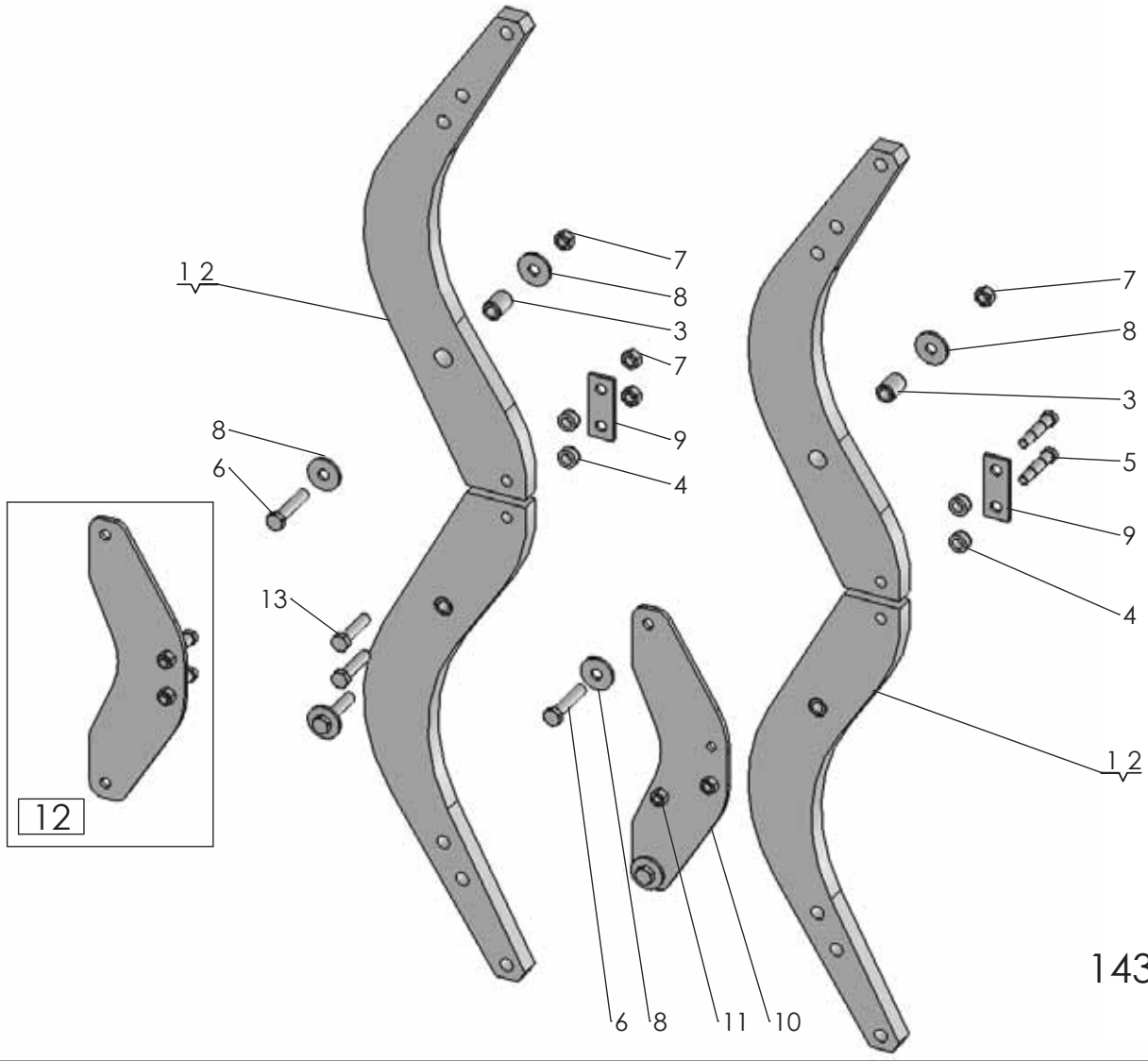
Pos nr/ Ref No	Detalj nr/ Part No	Benämning	Description
<b>1379B Ö</b>		<b>VANTSKRUV</b>	<b>TURNBUCKLE</b>
1	4165 34571 00	Vantskruv 600 - 830	Turnbuckle 600 - 830
2	4165 34689 00	Stödbensfäste	Stay bracket
3	4725 24 55 51	Skruv M6S 8x 30- 8.8 FZB	Bolt ISO 4014 - M8 x 30-8.8 FZB
4	4734 11 64 01	Bricka BRB 8,4x16 FZB	Washer ISO 7089 - 8
5	4731 23 18 01	Mutter M6M 8- 8 FZB	Hexagon Nut ISO - 4032 - M8-8 FZB

Pos nr/ Ref No	Detalj nr/ Part No	Benämning	Description
<b>1379C Ö</b>		<b>STÖDBEN</b>	<b>SUPPORT LEG</b>
1	4165 33632 40	Stödbensfäste	Stay bracket
2	4165 26745 40	Stödben EX	Support leg EX
3	4165 27087 00	Rörsprint, Ø11,5	Shaff locking pin, Ø11,5
4	4165 26746 00	Stoppring, Ø50/37,5X20	Stop collar, Ø50/37,5X20
5	4721 44 57 01	Fjädrande rörpinne FRP 12x 50 FZB	Spring Pin ISO 8752 - 12 x 50 FZB
6	4165 34470 00	U-bygel, M8x125x140	U-clamp, M8x125x140
7	4734 11 64 01	Bricka BRB 8,4x16 FZB	Washer ISO 7089 - 8
8	4731 23 18 01	Mutter M6M 8- 8 FZB	Hexagon Nut ISO - 4032 - M8-8 FZB

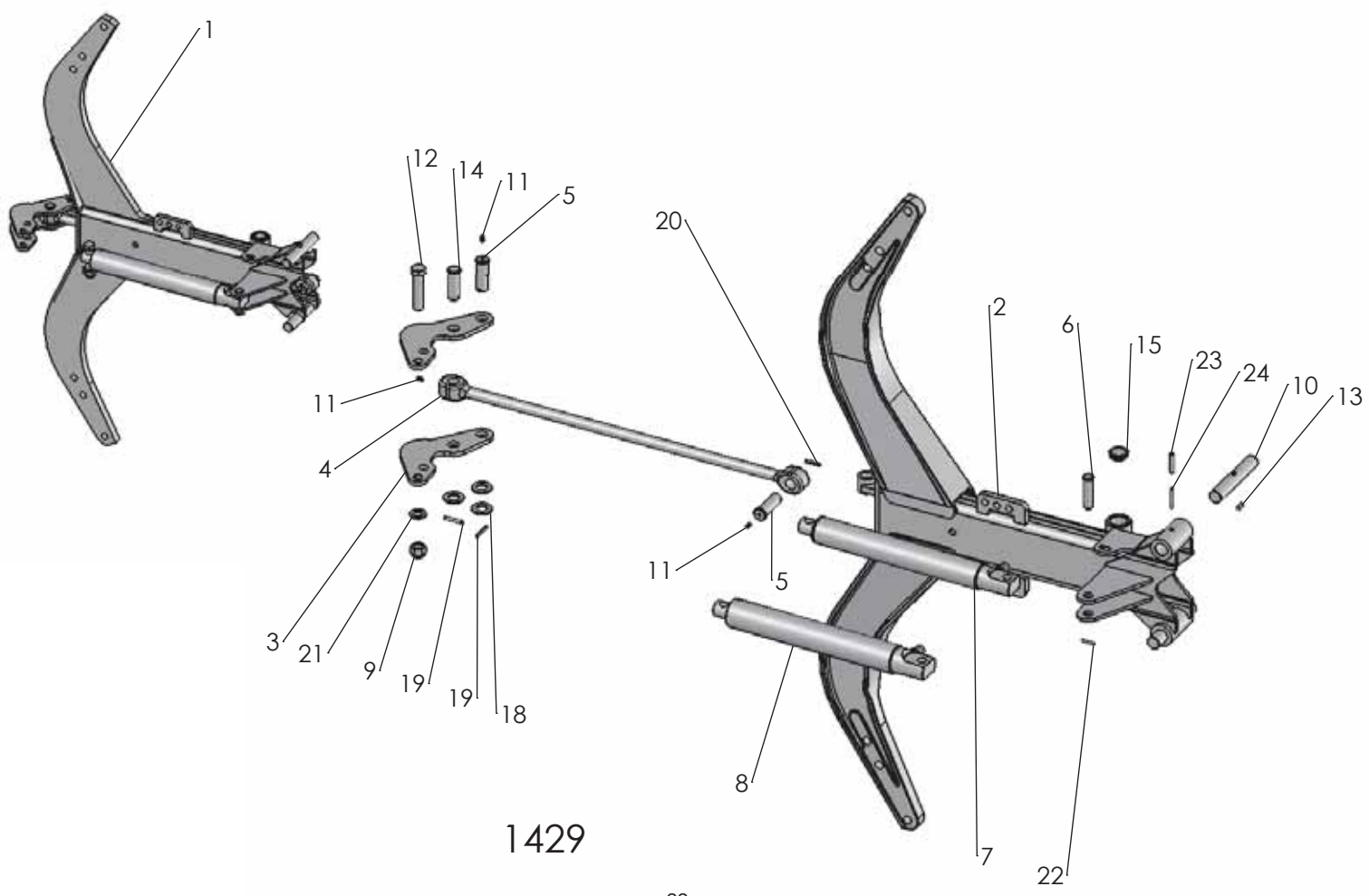


Pos nr/ Ref No	Detalj nr/ Part No	Benämning	Description
<b>1577A</b>		<b>HYDRAULISK FÖRSTATILTA</b>	<b>HYDRAULIC FIRST FURROW</b>
1	4165 25053 00	Hydraulisk just 1:a tilta	Hydraulic adjustment first furrow
2	4165 85606 50	Hydraulicylinder DV, Ø63/32x270,5	Hydraulic cylinder DA, Ø63/32x270,5
3	4165 85469 00	Cylindrisk bult, Ø30x74	Headed clevis pin, Ø30x74
4	4165 97102 00	Cylindertapp	Cylinder pin
5	4734 12 04 01	Bricka BRB 31x 56 FZB	Washer ISO 7089 - 30
6	4734 11 78 01	Bricka BRB 13x 24 FZB	Washer ISO 7089 - 12 FZB
7	4735 31 30 01	Spårring SgA 30 FZB	Circlip DIN 471 - 30 x 1.5
8	4721 43 50 01	Fjädrande rörpinne FRP 6x 55 FZB	Spring Pin ISO 8752 - 6 x 55 FZB
9	4725 25 36 51	Skruv M6S 12x 30- 8.8 FZB	Bolt ISO 4014 - M12 x 30-8.8 FZB
10	4165 23340 00	Hydraulslang 1/4, L=2250	Hydraulic hose 1/4, L=2250
11	4165 23341 00	Hydraulslang, L=2700	Hydraulic hose, L=2700
12	4165 12983 01	Gummistålbricka, G1/4"	Bonded seal, G1/4
13	4165 23339 00	Banjoskruv 1/4" L=28	Banjo bolt
14	4165 21043 00	Skydds slang, Ø59,4/63x1000	Protective hose, Ø59,4/63x1000
15	4165 23588 00	Buntband blå, L=368	Cable tie blue, L=368
16	4165 77231 00	Rak adapt 1/2" - 1/4"	Stright union
17	4165 80316 00	Gummistålbricka, G1/2	Bonded seal, G1/2
18	4165 74814 00	Handel 1/2"	Quick coupling M, 1/2"
19	4165 78383 00	Handelsskydd	Protective cap
20	4721 43 87 01	Fjädrande rörpinne FRP 8x 60 FZB	Spring pin ISO 8752 8x60 FZB
21	4725 25 30 51	Skruv M6S 12x 16- 8.8 FZB	Bolt ISO 4014 - M12 x 16-8.8 FZB
22	4165 25071 00	Fäste	Bracket
23	4165 23496 00	Slanghållare	Hosebracket
24	4732 21 22 51	Mutter M6M 12- 8 NF FZB	Nut ISO 7040-M12-8-NF FZB
25	4165 24325 90	Cylinderhållare	Cylinder bracket
26	4165 86556 00	Kolv, Ø63	Piston, Ø63
27	4165 86553 50	Kolvstång Ø32, kompl	Piston rod Ø32, cpl
28	4165 23346 50	Cylinderrör Ø63/73, kompl	Cylinder tube, Ø63/73, cpl
29	4165 86558 00	Styrning, Ø63/32	Guide, Ø63/32
30	4725 26 74 51	Skruv M6S 20x 50- 8.8 FZB	Bolt ISO 4014 - M20 x 50-8.8 FZB
31	4165 86550 00	Låsringshalvor för cyl Ø63	Locking halves for cyl Ø63
32	4735 31 40 11	Spårring SgH 47 FZB	Circlip DIN 472 - 47 x 1.75
33	4735 31 46 61	Spårring AV 58 FZB	Retaining ring AV 58 FZB
34	4165 86405 02	Ledlager, Ø30	Spherical plain bearing, Ø30
35	4165 86984 00	Packningssats, cyl Ø63/32	Kit of seals, cyl Ø63/32

Pos nr/ Ref No	Detalj nr/ Part No	Benämning	Description
<b>1577B</b>		<b>MEKANISK FÖRSTATILTA</b>	<b>MECHANICAL FIRST FURROW</b>
1	4165 93251 00	Spindel	Spindle
2	4165 95142 00	Spindel tapp	Pivot pin
3	4731 23 28 01	Mutter M6M 24- 8 FZB	Nut ISO 4032 - M24
4	4725 25 36 51	Skruv M6S 12x 30- 8.8 FZB	Bolt ISO 4014 - M12 x 30-8.8 FZB
5	4721 43 87 01	Fjädrande rörpinne FRP 8x 60 FZB	Spring pin ISO 8752 8x60 FZB
6	4734 11 78 01	Bricka BRB 13x 24 FZB	Washer ISO 7089 - 12 FZB
7	4165 96290 00	Mekanisk justering 1:a tilta	Mechanical adjustment
8	4165 25108 90	Fäste	Bracket



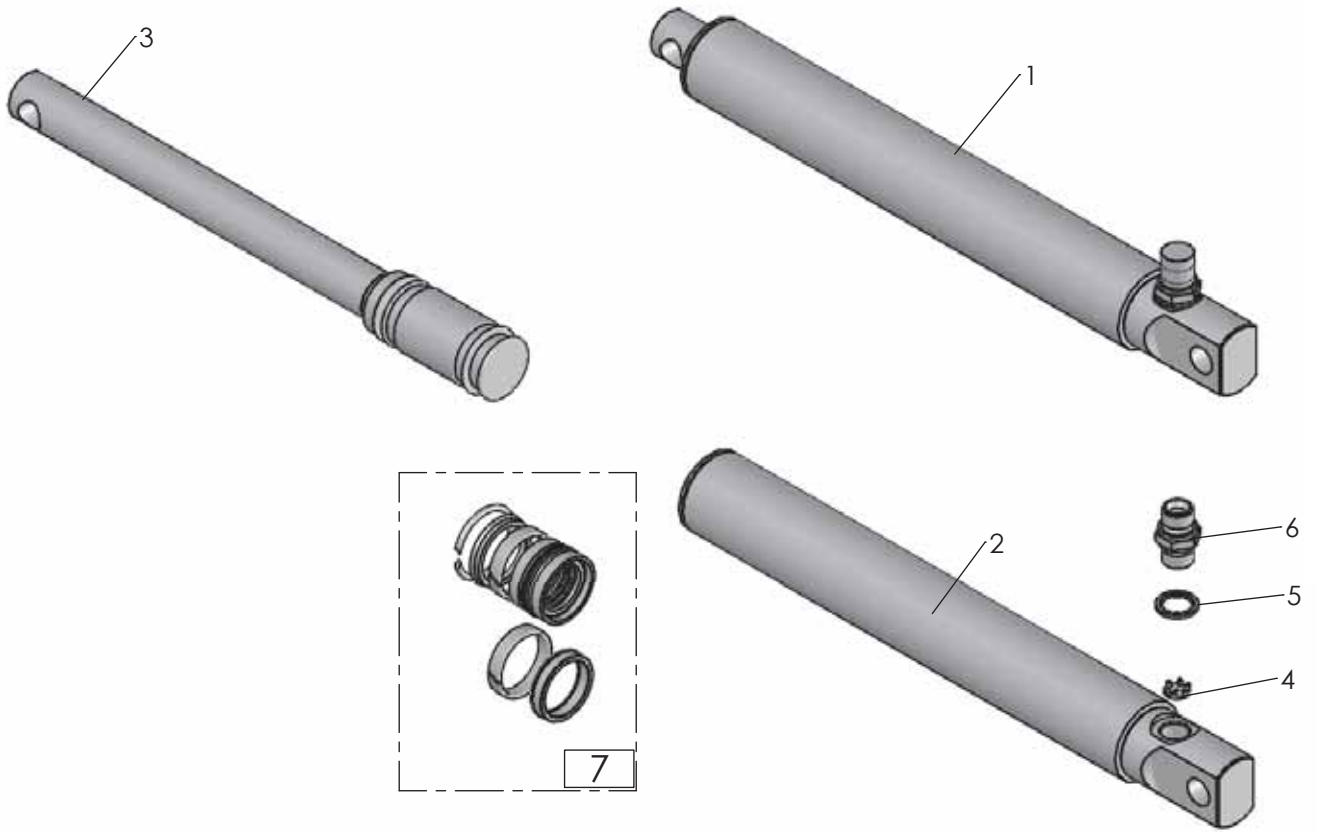
1430



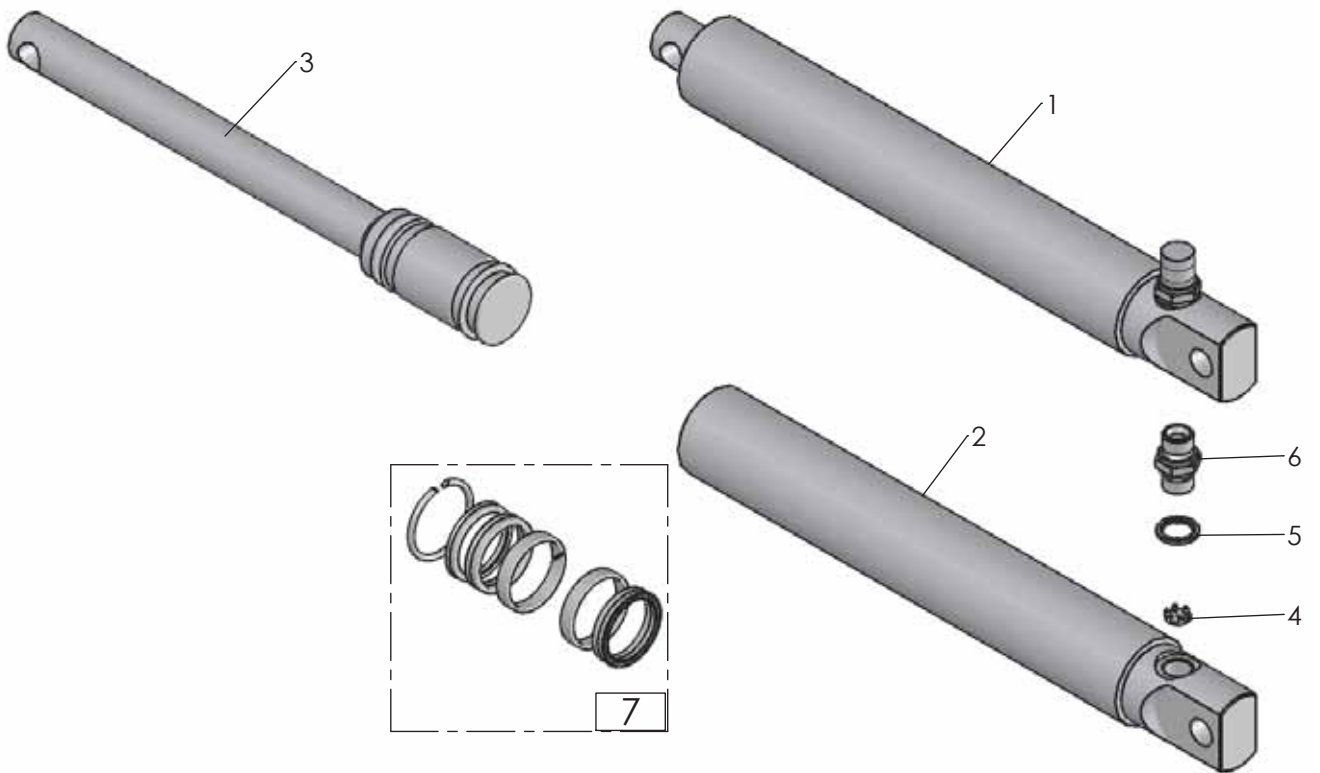
1429

Pos nr/ Ref No	Detalj nr/ Part No	Benämning	Description
1430 Ö		ÅS, BRYTBULT	BEAM, SHEARBOLT
1	4165 92127 90	Åsben 750 T30	Beam 750 T30
2	4165 94544 90	Åsben 800 T 30	Beam 800 T 30
3	4165 86240 08	Fjädrande rörpinne FRP 28x 40	Spring pin DIN 1481 S Ø28x 40
4	4165 91406 00	Hylsa, 16,5/28x14	Sleeve, 16,5/28x14
5	4165 31041 00	Brytbult, M14	Shear bolt, M14
6	4725 26 36 81	Skruv M6S 16x 80-10.9 MW	Bolt ISO 4014 M16x80 -10.9 MW
7	4165 03604 05	Mutter M6M 16-10 FZB	Nut DIN 934 M16-10 FZB
8	4165 86433 00	Bricka, Ø17/50x5	Washer, Ø17/50x5
9	4165 91403 00	Bricka fyrkant, Ø17x100x40x6	Square washer, Ø17x100x40x6
10	4165 30827 40	Stödplåt fast åskomp, M14	Support plate fixed beam, M14
11	4731 23 23 01	Mutter M6M 14- 8 FZB	Nut ISO - 4032 - M14-8 FZB
12	4165 30832 00	Brytbults kit M14	Sheare bult kit M14
13	4165 91399 00	Brytbult M16x70 MW	Shear bolt M16x70 MW

Pos nr/ Ref No	Detalj nr/ Part No	Benämning	Description
1429 Ö		ÅS, AUTOMATISK	BEAM, AUTOMATIC
1	4165 86043 90	Ås, komplett, låg automat Överum	Beam short Överum
2	4165 96112 90	Automatås hög (800)	Beam (800)
3	4165 21555 90	Hävarm (bumerang) Överum	Walking beam Överum
4	4165 25902 50	Dragstång L=843	Draw rod, L=843
5	4165 86079 00	Tapp för åskomponent	Pin for beam
6	4165 72399 01	Cylindrisk bult, Ø20x75,5	Headed clevis pin, Ø20x75,5
7	4165 21550 50	Hydraulcylinder EV, Ø50/38x293	Hydraulic cylinder SA, Ø50/38x293
8	4165 26350 50	Hydraulcylinder EV, Ø55x35x293	Hydraulic cylinder SA, Ø55x35x293
9	4165 03650 07	Mutter M6M 20 NF-10 MW	Nut ISO-7040-M20-10 MW
10	4165 86044 00	Tapp, Ø30x175	Pin, Ø30x175
11	4738 88 20 03	Smörjnippel, AM 8x1,25 FZB	Grease nipple, AM 8x1,25 FZB
12	4165 91945 00	Skruv M6S 20x 95-10.9 MW	Bolt M6S 20x 95-10.9 MW
13	4165 98096 00	Cylindrisk pinne CPK m6 10x20	Cylindrical pin CPK m6 10x20
14	4165 25914 00	Cylindrisk bult, Ø25x73	Clevis pin, Ø25x73
15	4165 23869 00	Skyddsplugg, Ø37-40,4	Protective cap, Ø37-40,4
18	4734 12 00 01	Bricka BRB 26x 45 FZB	Washer 26x45-200 HV
19	4721 43 48 01	Fjädrande rörpinne FRP 6x 45 FZB	Spring Pin ISO 8752 - 6 x 45
20	4721 43 46 01	Fjädrande rörpinne FRP 6x 36 FZB	Spring Pin ISO 8752 - 6 x 36 FZB
21	4734 11 92 01	Bricka BRB 21x 37 FZB	Washer ISO 7089-M20-200 HV
22	4721 42 62 01	Fjädrande rörpinne FRP 4x 32 FZB	Spring Pin ISO 8752 - 4 x 32 FZB
23	4721 43 85 10	Fjädrande rörpinne FRP 8x 50 MW	Spring Pin ISO 8752 - 8 x 50 MW
24	4721 43 18 10	Fjädrande rörpinne FRP 5x 50 MW	Spring Pin ISO 8752 - 5 x 50 MW



1280

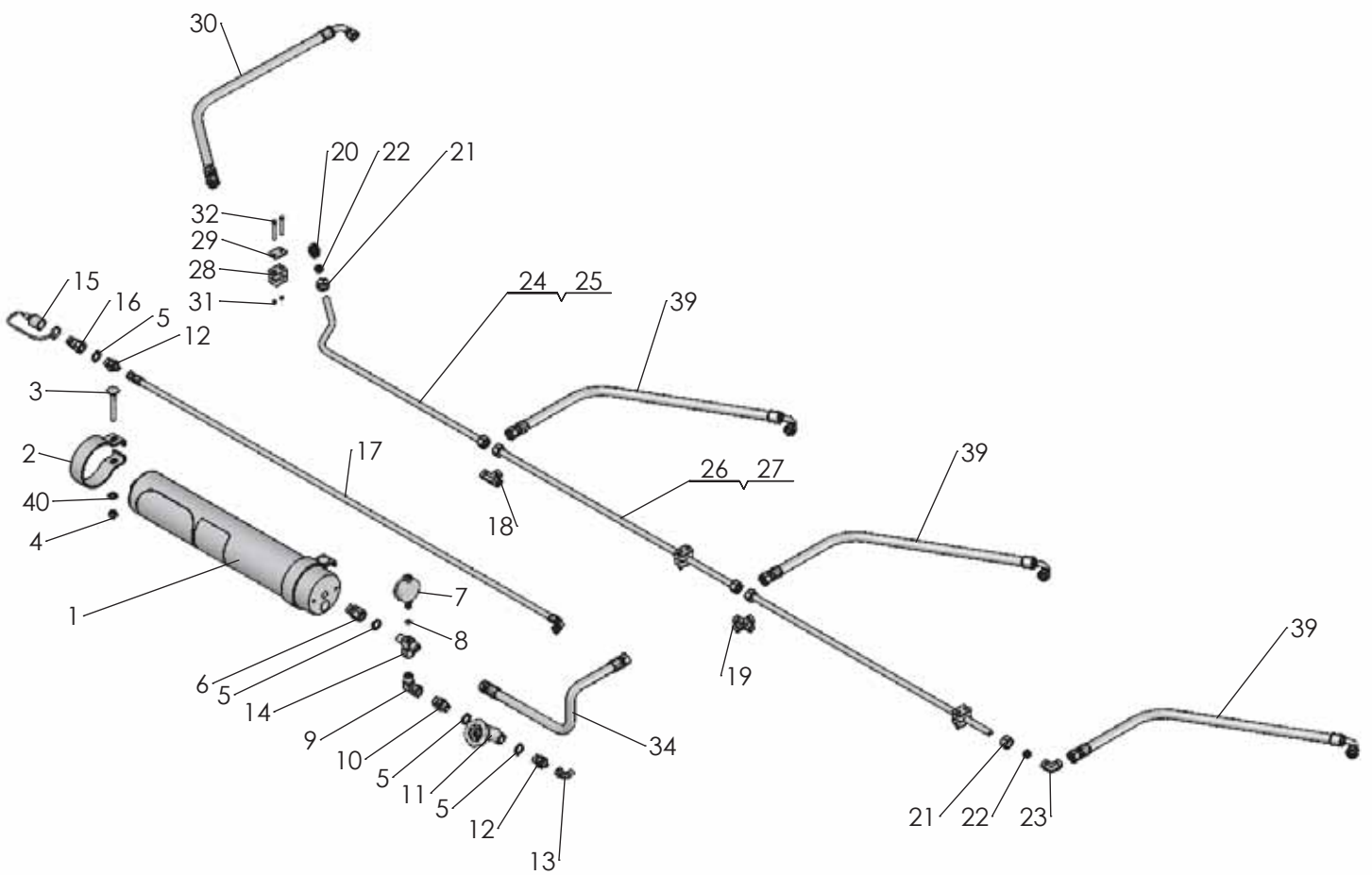
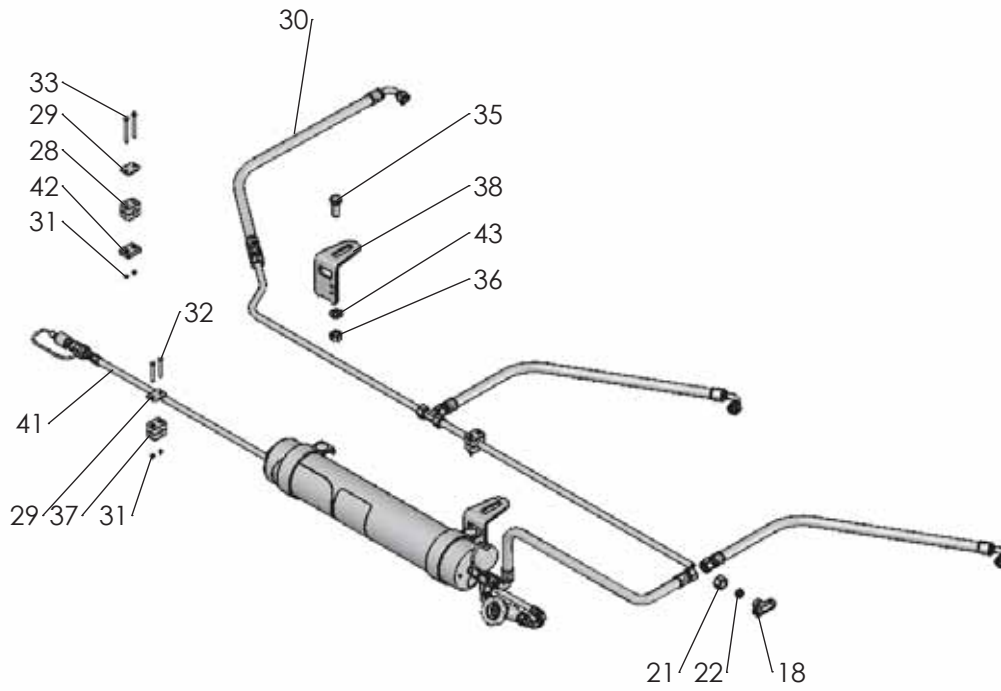


1281



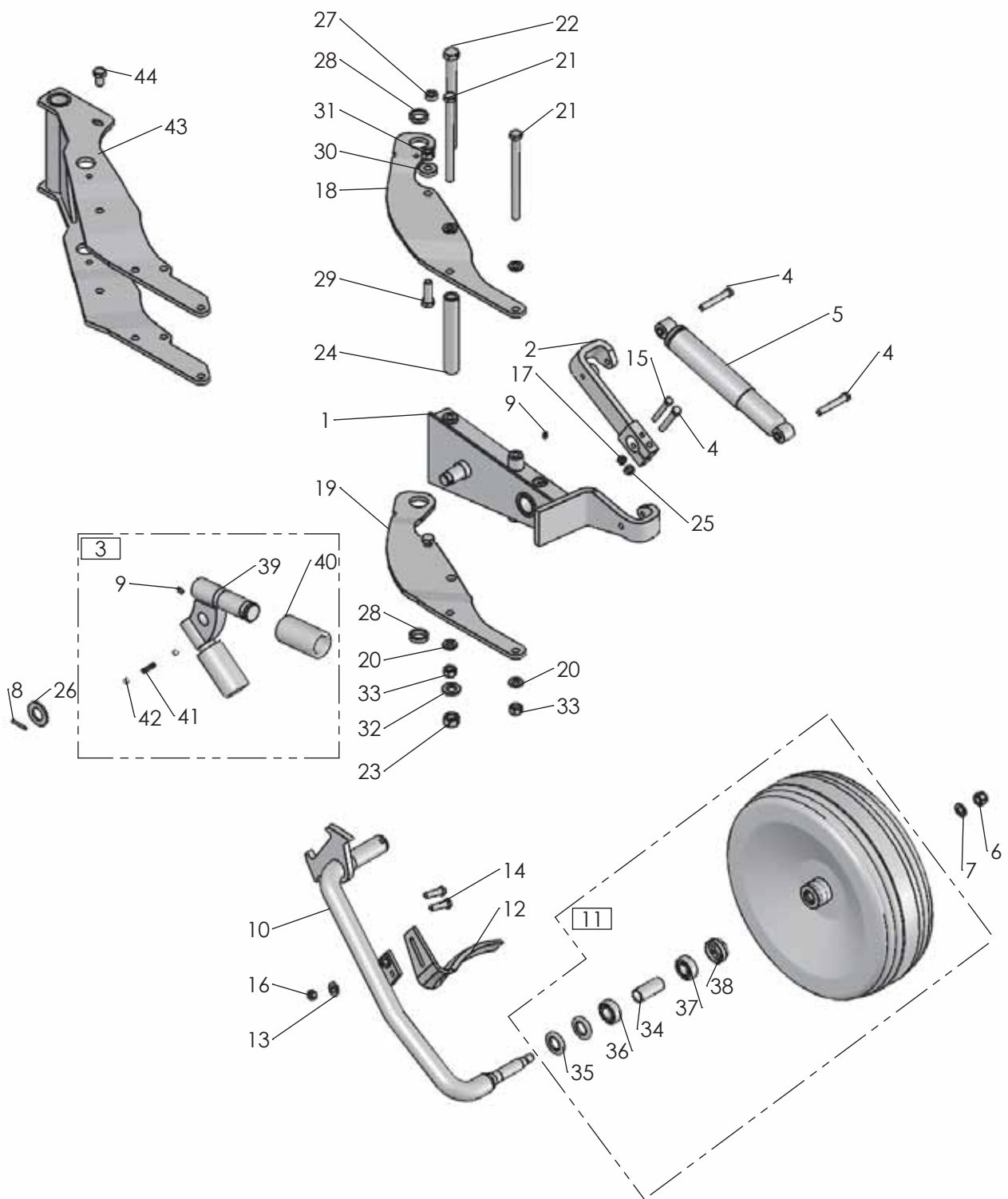
Pos nr/ Ref No	Detalj nr/ Part No	Benämning	Description
1280 Ö		<b>HYDRAULISK STENSÄKRINGSCYLINDER Ø50</b>	<b>HYDRAULIC STONE TRIP CYLINDER Ø50</b>
1	4165 21550 50	Hydraulcylinder EV, Ø50/38x293	Hydraulic cylinder SA, Ø50/38x293
2	4165 21551 50	Cylinderrör, Ø50	Cylinder tube, Ø50
3	4165 23802 50	Kolvstång, komplett Ø50	Piston rod Ø50, cpl
4	4165 77852 00	Ventilkägla, Ø2,2	Restrictor valve, Ø2,2
5	4165 80316 00	Gummistålbricka, G1/2	Bonded seal, G1/2
6	4165 80317 00	Rak adapt, 1/2-1/2	Union
7	4165 86256 00	Packningssats cyl Ø50	Sealing kit for cyl Ø50

Pos nr/ Ref No	Detalj nr/ Part No	Benämning	Description
1281 Ö		<b>HYDRAULISK STENSÄKRINGSCYLINDER Ø55</b>	<b>HYDRAULIC STONE TRIP CYLINDER Ø55</b>
1	4165 26350 50	Hydraulcylinder EV, Ø55x35x293	Hydraulic cylinder SA, Ø55x35x293
2	4165 26453 50	Cylinderrör, Ø55/65, kompl	Cylinder tube, Ø55/65
3	4165 26455 50	Kolvstång Ø55, komplett	Piston rod Ø55, cpl
4	4165 77852 00	Ventilkägla, Ø2,2	Restrictor valve, Ø2,2
5	4165 80316 00	Gummistålbricka, G1/2	Bonded seal, G1/2
6	4165 80317 00	Rak adapt, 1/2-1/2	Union
7	4165 26459 00	Packningssats till 26350	Sealing kit for 26350



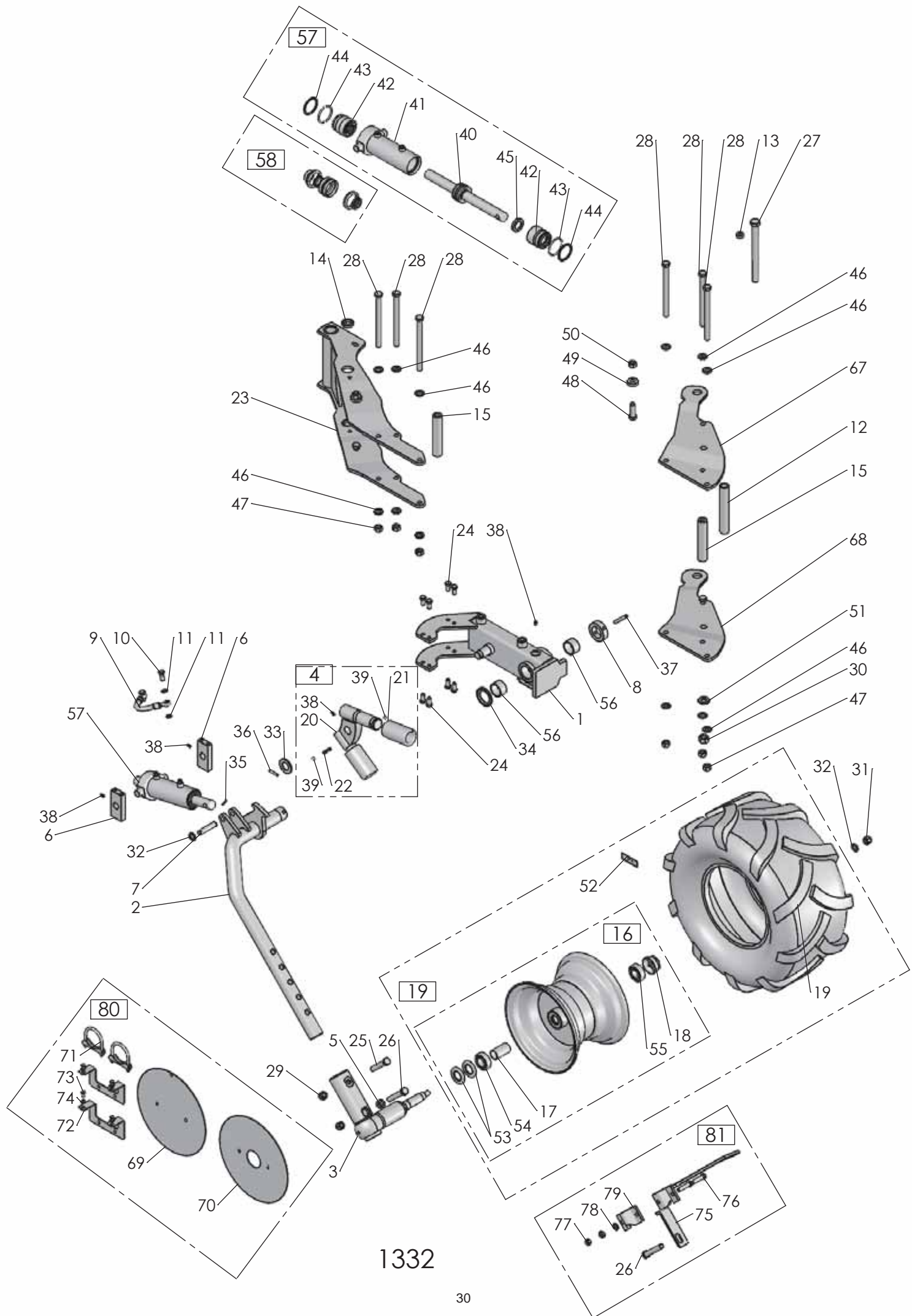
1579

Pos nr/ Ref No	Detalj nr/ Part No	Benämning	Description
1579 Ö		<b>STENSÄKRINGSHYDRAULIK</b>	<b>STONE TRIP HYDRAULICS</b>
1	4165 91938 50	Kolvackumulator 4l 9MPa, med dekal	Piston accumulator 4l 9MPa, with decal
2	4165 33039 50	Ackumulatorfäste, Ø117	Accumulator bracket, Ø117
3	4727 65 50 51	Skruv MVBF 12x 90- 8.8 FZB	Bolt ISO 8677-M12x90-8.8 FZB
4	4731 23 22 01	Mutter M6M 12- 8 FZB	Nut ISO - 4032 - M12-8 FZB
5	4165 80316 00	Gummistålbricka, G1/2	Bonded seal, G1/2
6	4165 92138 00	Rakadapt, 1/2" - 1/2"	Union, 1/2" - 1/2"
7	4165 80750 00	Manometer	Pressure gauge
8	4165 78474 00	O-ring, OR 10,0x3	O-ring, OR 10,0x3
9	4165 77826 00	L-adapt 1/2"	L-union 1/2"
10	4165 65478 00	Rak adapt 1/2"	Union
11	4165 73057 00	Avstängningsventil (nålventil)	Shut of valve
12	4165 77231 00	Rak adapt 1/2" - 1/4"	Stright union
13	4165 85636 00	L-adapt, 1/4"	L-Union, 1/4"
14	4165 77838 00	T-adapt 1/2"	T-union 1/2"
15	4165 78383 00	Handelsskydd	Protective cap
16	4165 74814 00	Handel 1/2"	Quick coupling M, 1/2"
17	4165 16606 60	Hydraulslang 1/4, L=3900	Hydraulic hose 1/4, L=3900
18	4165 75746 00	T-adapt, M22x1,5	T-union, M22x1,5
19	4165 75928 00	X-adapt, M22x1,5	X-union, M22x1,5
20	4165 75953 00	Rakadapt, M22	Straight union, M22
21	4165 75934 00	Mutter, M22x1,5	Nut, M22x1,5
22	4165 75935 00	Skäring Ø15	Cutting ring Ø15
23	4165 75747 00	L-adapt, M22x1,5	L-union, M22x1,5
24	4165 25570 00	Hydraulrör VFCX 900	Hydraulic tube VFCX 900
25	4165 25577 00	Hydraulrör VFCX 1000	Hydraulic tube VFCX 1000
26	4165 91936 00	Hydraulrör, RH 15x2, L= 857	Hydraulic tube, RH 15x2, L=857
27	4165 86276 00	Hydraulrör, RH 15x2, L= 958	Hydraulic tube, RH 15x2, L= 958
28	4165 91204 00	Klammerpar, Ø15	Tube clamps, Ø15
29	4165 91205 00	Täckplatta 26	Covering plate 26
30	4165 25579 00	Hydraulslang, L=630	Hydraulic hose, L=630
31	4731 23 16 01	Mutter M6M 6- 8 FZB	Nut ISO - 4032 - M6-8 FZB
32	4725 23 80 51	Skruv M6S 6x 50- 8.8 FZB	Bolt ISO 4014 - M6 x 50-8.8 FZB
33	4725 23 83 51	Skruv M6S 6x 65- 8.8 FZB	Bolt ISO 4014 - M6 x 65-8.8 FZB
34	4165 86279 00	Hydraulslang, L=580	Hydraulic hose, L=580
35	4725 26 28 51	Skruv M6S 16x 40- 8.8 FZB	Bolt ISO 4014 - M16 x 40-8.8 FZB
36	4731 23 24 01	Mutter M6M 16- 8 FZB	Nut ISO - 4032 - M16-8 FZB
37	4165 94290 00	Klammerpar, Ø12,7	Tube clamps, Ø12,7
38	4165 34068 00	Ackumulatorfäste	Accumulator bracket
39	4165 98837 00	Hydraulslang, L=680	Hydraulic hose, L=680
40	4734 11 78 01	Bricka BRB 13x 24 FZB	Washer ISO 7089 - 12 FZB
41	4165 26014 00	Hydraulslang 1/4, L=4400	Hydraulic hose 1/4, L=4400
42	4165 22816 00	Distans	Spacer
43	4734 11 86 01	Bricka BRB 17x30 FZB	Washer ISO 7089 - 16



1337

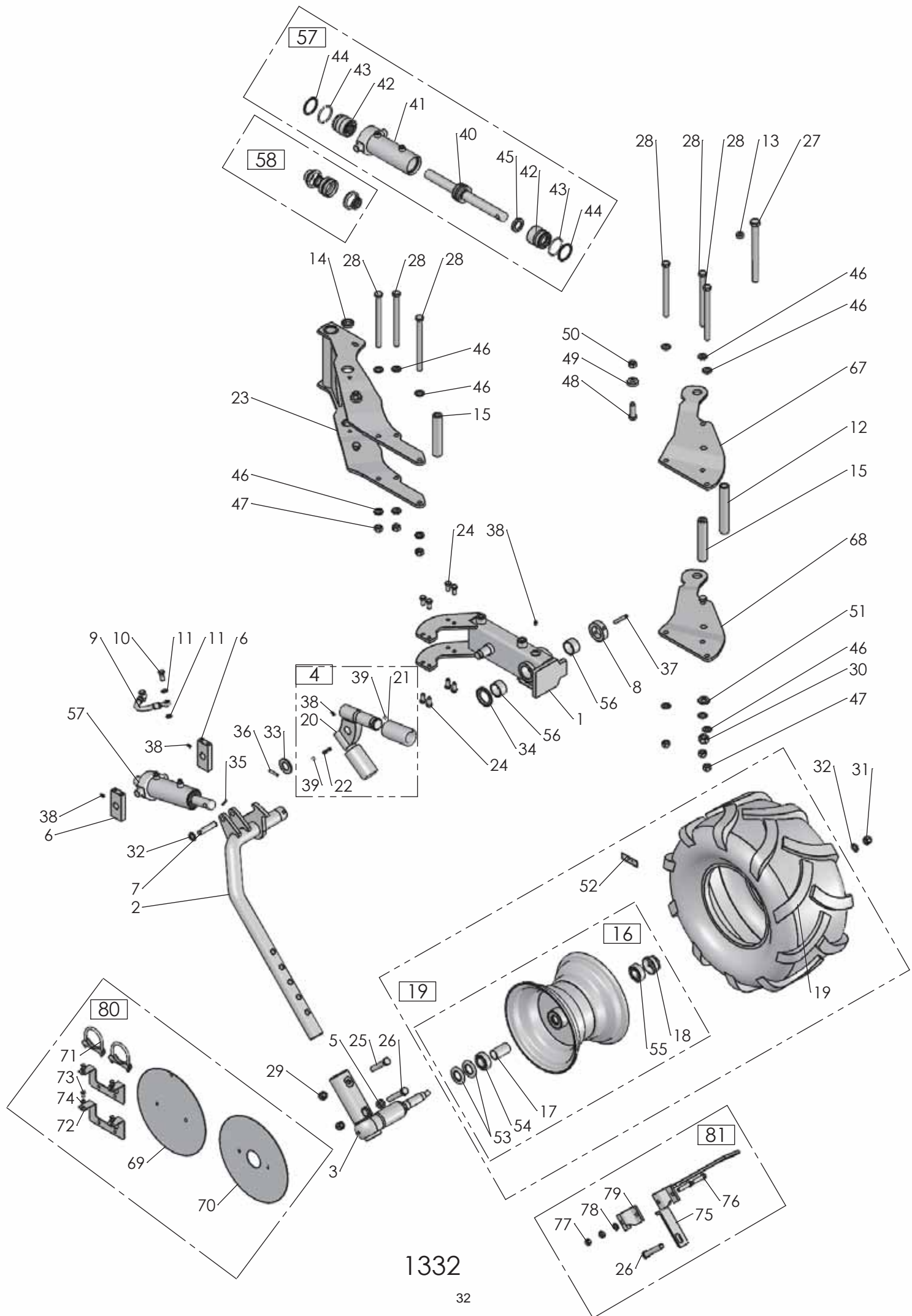
Pos nr/ Ref No	Detalj nr/ Part No	Benämning	Description
1337 Ö	25020-11/12	PENDELHJUL	PENDULUM WHEEL
1	4165 23063 90	Hjulkonsol	Bracket
2	4165 97270 90	Arm	Arm
3	4165 94946 00	Spärrkläpp	Catch cpl.
4	4725 25 48 81	Skruv M6S 12x 80-10.9 MW	Bolt ISO 4014 - M12 x 80-10.9 MW
5	4165 86340 00	Stötdämpare	Shock absorber
6	4732 21 24 51	Mutter M6M 16- 8 NF FZB	Nut ISO 7040-M16-8-NF FZB
7	4734 11 86 01	Bricka BRB 17x30 FZB	Washer ISO 7089 - 16
8	4721 43 47 01	Fjädrande rörpinne FRP 6x 40 FZB	Spring Pin ISO 8752 - 6 x 40 FZB
9	4738 88 20 03	Smörjnippel, AM 8x1,25 FZB	Grease nipple, AM 8x1,25 FZB
10	4165 86100 90	Hjularm	Wheel arm
11	4165 84636 40	Plåthjul med nav	Steel wheel with hub
12	4165 85395 40	Skrapa	Scraper
13	4165 80735 00	Bricka, Ø13/30x4	Washer, Ø13/30x4
14	4725 25 40 51	Skruv M6S 12x 40- 8.8 FZB	Bolt ISO 4014 - M12 x 40-8.8 FZB
15	4725 25 07 51	Skruv M6S 10x 80- 8.8 FZB	Bolt ISO 4014-M10x80-8.8 FZB
16	4731 23 22 01	Mutter M6M 12- 8 FZB	Nut ISO - 4032 - M12-8 FZB
17	4731 23 20 01	Mutter M6M 10- 8 FZB	Nut Hexagon Nut ISO - 4032 - M10-8 FZB
18	4165 23060 90	Hjulfäste övre	Upper wheel bracket
19	4165 23061 90	Hjulfäste undre	Lower wheel bracket
20	4735 21 85 88	Bricka Nord-Lock NLX 16 SP FZB	Washer Nord-Lock NLX 16 SP FZB
21	4165 90856 00	Skruv M16x215-12.9 MW	Bolt M16x215-12.9 MW
22	4725 27 01 81	Skruv M6S 20x240-10.9 MW	Bolt ISO 4014 - M20 x 240-10.9 MW
23	4731 23 26 51	Mutter M6M 20-10 MW	Nut ISO - 4032 - M20-10 MW
24	4165 24761 00	Hylsa, Ø21/32x194	Sleeve, Ø21/32x194
25	4731 23 22 51	Mutter M6M 12-10 MW	Nut ISO 4032-M12-10 MW
26	4734 12 04 01	Bricka BRB 31x 56 FZB	Washer ISO 7089 - 30
27	4165 89489 00	Bricka, Ø13/25x10	Washer, Ø13/25x10
28	4165 34652 00	Bricka, Ø30,25/40x9,7	Washer, Ø30,25/40x9,7
29	4165 20377 00	Skruv, M6S 16x50-10.9 MW	Bolt, M6S 16x50-10.9 MW
30	4165 85884 00	Bricka, Ø17/38x10	Washer, Ø17/38x10
31	4731 23 24 51	Mutter M6M 16-10 MW	Nut ISO-4032 M16-10 MW
32	4735 21 92 88	Bricka Nord-Lock NLX 20 SP FZB	Washer Nord-Lock NLX 20 SP FZB
33	4165 03607 05	Mutter M6M 16-12 MW	Nut ISO 4032-16-12 MW
34	4165 85246 00	Hylsa, Ø26/30x67,2	Sleeve, Ø26/30x67,2
35	4165 85244 00	Z-lamell, Z 205-30	Z-lamell, Z 205-30
36	4738 22 05 19	Kullager 6205-2RS1	Ball bearing 6205-2RS1
37	4738 23 04 34	Kullager 6304-2RS1	Ball bearing, 6304-2RS1
38	4165 85247 00	Navkapsel Hadsten nr 878	Hub cap Hadsten nr 878
39	4165 94947 00	Kläpp	Catch
40	4165 94949 00	Hylsa	Sleeve
41	4165 83046 00	Tryckfjäder	Push Spring
42	4738 61 32 02	Kula	Ball
43	4165 34481 90	Hjulfäste CX-F	Wheelbracket CX-F
44	4725 26 22 51	Skruv M6S 16x 25- 8.8 FZB	Bolt ISO 4014 - M16 x 25-8.8 FZB



1332

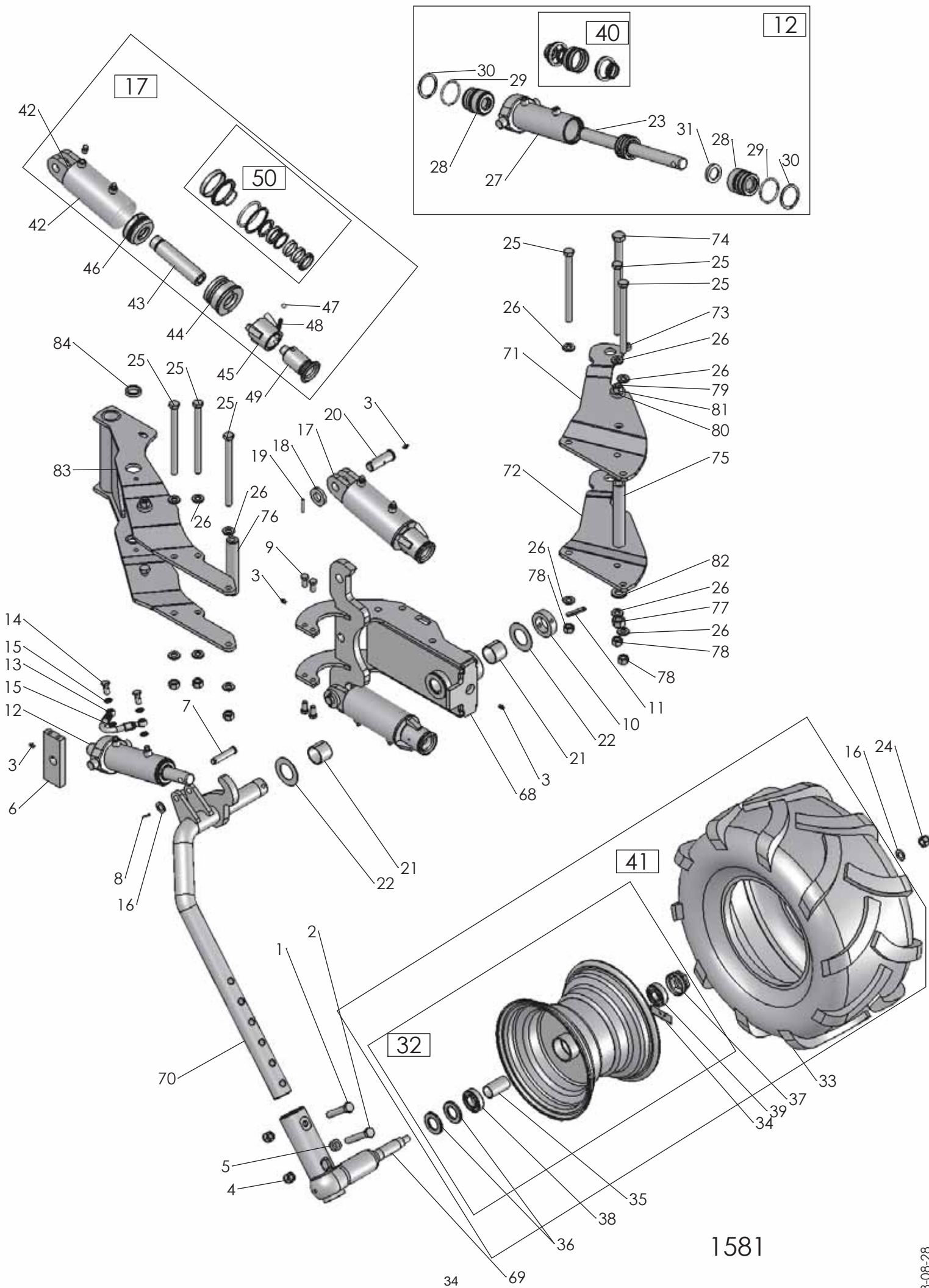


Pos nr/ Ref No	Detalj nr/ Part No	Benämning	Description
1332 Ö1	34500-92/95	PENDELHJUL	PENDULUM WHEEL
1	4165 34040 90	Pendelhjulskonsol	Pendeliumwheel bracket
2	4165 34039 90	Hjularm	Pendelum arm
3	4165 28181 90	Montage stubbaxel	Montage axle
4	4165 94946 00	Spärrkläpp	Catch cpl.
5	4165 91406 00	Hylsa, 16,5/28x14	Sleeve, 16,5/28x14
6	4165 33838 00	Mellanplåt	Middleplate
7	4165 89789 00	Cylindrisk bult, Ø16x75	Headed clevis pin, Ø16x75
8	4165 34150 00	Stoppring Ø70/45X20	Stopring Ø70/45X20
9	4165 34041 00	Hydraulslang 1/4" 1/4" banjo L=150	Hose 1/4" 1/4" banjo L=150
10	4165 23339 00	Banjoskruv 1/4" L=28	Banjo bolt
11	4165 12983 01	Gummistålbricka, G1/4"	Bonded seal, G1/4
12	4165 24761 00	Hylsa, Ø21/32x194	Sleeve, Ø21/32x194
13	4165 89489 00	Bricka, Ø13/25x10	Washer, Ø13/25x10
14	4165 34652 00	Bricka, Ø30,25/40x9,7	Washer, Ø30,25/40x9,7
15	4165 98372 40	Hylsa, Ø16/32x168	Sleeve, Ø16/32x168
16	4165 28736 50	Fälg med nav, 9.00x12	Rim with hub, 9.00x12
17	4165 93470 00	Hylsa, Ø31/35x64,2	Sleeve, Ø31/35x64,2
18	4165 93469 00	Navkapsel Hadsten nr 928	Hub cap Hadsten no 928
19	4165 28126 00	Däck, 26x12.00-12	Tyre, 26x12.00-12
20	4165 94947 00	Kläpp	Catch
21	4165 94949 00	Hylsa	Sleeve
22	4165 83046 00	Tryckfjäder	Push Spring
23	4165 34481 90	Hjulfäste CX-F	Wheelbracket CX-F
24	4725 25 34 51	Skruv M6S 12x 25- 8.8 FZB	Bolt ISO 4014 - M12 x 25-8.8 FZB
25	4725 26 38 81	Skruv M6S 16x 90-10.9 MW	Bolt ISO 4014 - M16 x 90-10.9 MW
26	4725 26 40 81	Skruv M6S 16x100-10.9 MW	Bolt ISO 4014 M16x100 -10.9 MW
27	4725 27 01 81	Skruv M6S 20x240-10.9 MW	Bolt ISO 4014 - M20 x 240-10.9 MW
28	4165 90856 00	Skruv M16x215-12.9 MW	Bolt M16x215-12.9 MW
29	4165 03650 05	Mutter M6M 16 NF-10 MW	Nut ISO 7040-M16-10 MW
30	4731 23 26 51	Mutter M6M 20-10 MW	Nut ISO - 4032 - M20-10 MW
31	4732 21 24 51	Mutter M6M 16- 8 NF FZB	Nut ISO 7040-M16-8-NF FZB
32	4734 11 86 01	Bricka BRB 17x30 FZB	Washer ISO 7089 - 16
33	4734 12 04 01	Bricka BRB 31x 56 FZB	Washer ISO 7089 - 30
34	4165 28530 00	Bricka	Washer
35	4721 42 62 01	Fjädrande rörpinne FRP 4x 32 FZB	Spring Pin ISO 8752 - 4 x 32 FZB
36	4721 43 47 01	Fjädrande rörpinne FRP 6x 40 FZB	Spring Pin ISO 8752 - 6 x 40 FZB
37	4721 44 27 01	Fjädrande rörpinne FRP 10x 80 FZB	Spring Pin ISO 8752 - 10 x 80 FZB
38	4738 88 20 03	Smörjnippel, AM 8x1,25 FZB	Grease nipple, AM 8x1,25 FZB
39	4738 61 32 02	Kula	Ball
40	4165 34189 50	Kolvstång Ø32, kompl	Piston rod Ø32, cpl
41	4165 32942 50	Cylinderrör Ø63/73, kompl	Cylinder tube Ø63/73, cpl
42	4165 86558 00	Styrning, Ø63/32	Guide, Ø63/32
43	4165 86550 00	Låsringshalvor för cyl Ø63	Locking halves for cyl Ø63
44	4735 31 46 61	Spårring AV 58 FZB	Retaining ring AV 58 FZB
45	4165 34198 00	Distansring	Spacer
46	4735 21 85 88	Bricka Nord-Lock NLX 16 SP FZB	Washer Nord-Lock NLX 16 SP FZB
47	4165 03607 05	Mutter M6M 16-12 MW	Nut ISO 4032-16-12 MW
48	4165 20377 00	Skruv, M6S 16x50-10.9 MW	Bolt, M6S 16x50-10.9 MW
49	4165 85884 00	Bricka, Ø17/38x10	Washer, Ø17/38x10
50	4731 23 24 51	Mutter M6M 16-10 MW	Nut ISO-4032 M16-10 MW
51	4735 21 92 88	Bricka Nord-Lock NLX 20 SP FZB	Washer Nord-Lock NLX 20 SP FZB
52	4165 29036 00	Dekal: Däcktryck 270kPa	Decal: Tyre pressure 270kPa
53	4165 93473 00	Z-lamell, Z 007	Z-lamell, Z 007
54	4738 22 06 19	Kullager 6206-2RS1	Ballbearing 6206-2RS1
55	4738 23 05 34	Kullager 6305-2RS1	Ballbearing, 6305-2RS1
56	4165 94535 00	Glidlager, Ø45/50x30	Slide bearing, Ø45/50x30
57	4165 32941 50	Hydraulcylinder Dämpare, Ø63/32x79	Hydraulic cylinder Absorber, Ø63/32x79
58	4165 34192 00	Packningssats	Sealing kit



1332

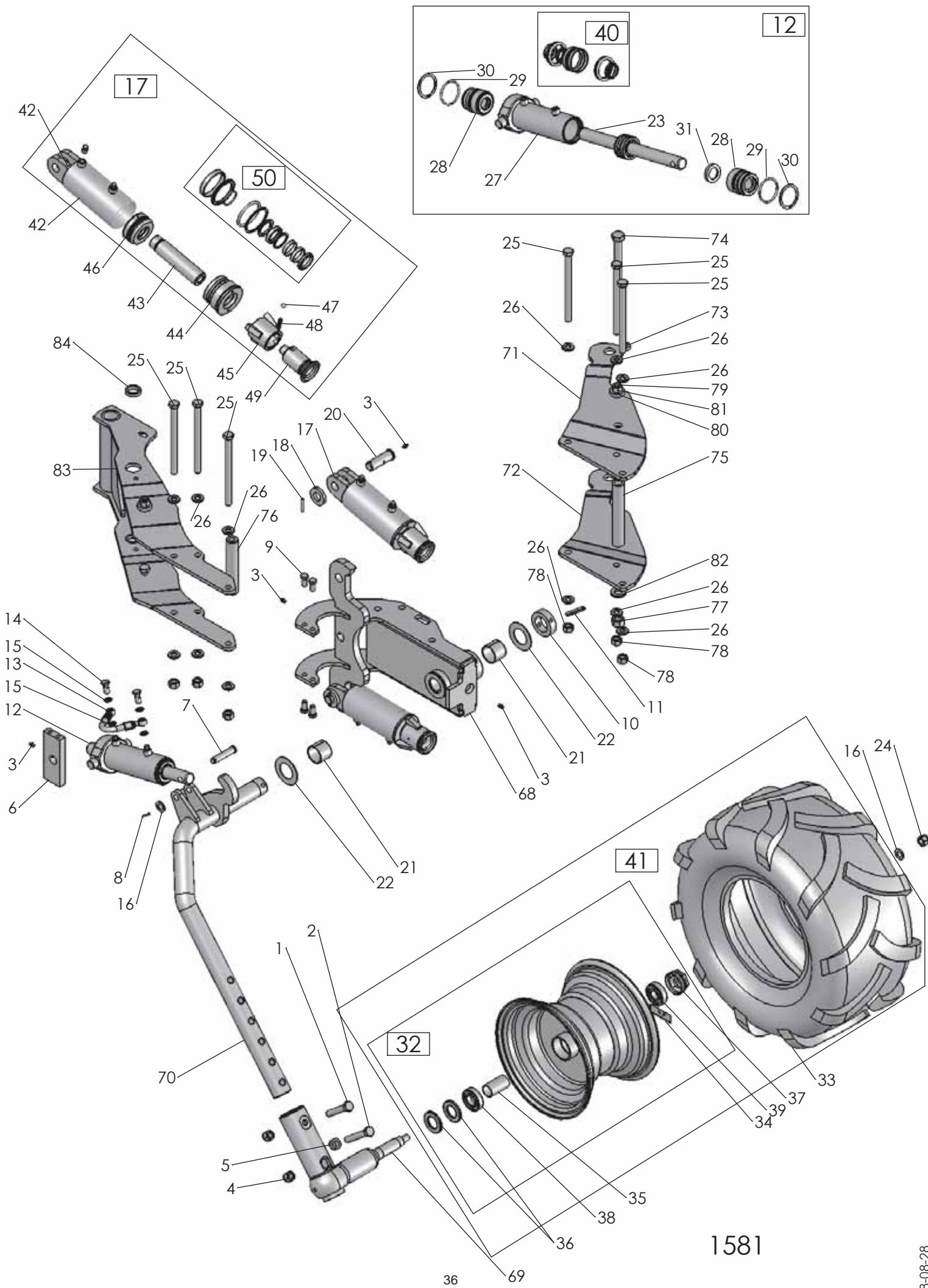
Pos nr/ Ref No	Detalj nr/ Part No	Benämning	Description
1332 Ö1	34500-92/95	PENDELHJUL	PENDULUM WHEEL
67	4165 34095 90	Hjulfäste övre	Wheelbracket upper
68	4165 34094 90	Hjulfäste nedre	Wheelbracket lower
69	4165 28743 50	Fälgsida inner	Rim plate inner
70	4165 28744 50	Fälgsida ytter	Rim plate outer
71	4165 36610 00	Rörklammer, Ø70	Tube clamp, Ø70
72	4165 36614 00	Hållare svetsning	Bracket welded
73	4725 24 49 51	Skruv M6S 8x 16- 8.8 FZB	Bolt ISO 4014 - M8 x 16-8.8 FZB
74	4734 11 64 01	Bricka BRB 8,4x16 FZB	Washer ISO 7089 - 8
75	4165 30305 40	Skrapa	Scraper
76	4725 25 42 51	Skruv M6S 12x 50- 8.8 FZB	Bolt ISO 4014 - M12 x 50-8.8 FZB
77	4731 23 22 01	Mutter M6M 12- 8 FZB	Nut ISO - 4032 - M12-8 FZB
78	4734 11 78 01	Bricka BRB 13x 24 FZB	Washer ISO 7089 - 12 FZB
79	4165 94538 40	Fästplåt	Bracket plate
80	4165 36264 01	Fälgsidor, sats	Rim sides, kit
81	4165 30309 00	Skrapa komp till hjul 28194, 34500, 36012	Scraper to wheel 28194, 34500, 36012



1581

Pos nr/ Ref No	Detalj nr/ Part No	Benämning	Description
1581 Ö	36012-92, 95	HYDRAULISKT PENDELHJUL	HYDRAULIC PENDULUM WHEEL
1	4725 26 38 81	Skruv M6S 16x 90-10.9 MW	Bolt ISO 4014 - M16 x 90-10.9 MW
2	4725 26 40 81	Skruv M6S 16x100-10.9 MW	Bolt ISO 4014 M16x100 -10.9 MW
3	4738 88 20 03	Smörjnippel, AM 8x1,25 FZB	Grease nipple, AM 8x1,25 FZB
4	4165 03650 05	Mutter M6M 16 NF-10 MW	Nut ISO 7040-M16-10 MW
5	4165 91406 00	Hylsa, 16,5/28x14	Sleeve, 16,5/28x14
6	4165 35535 00	Mellanplåt	Middleplate
7	4165 89789 00	Cylindrisk bult, Ø16x75	Headed clevis pin, Ø16x75
8	4721 42 62 01	Fjädrande rörpinne FRP 4x 32 FZB	Spring Pin ISO 8752 - 4 x 32 FZB
9	4725 25 34 51	Skruv M6S 12x 25- 8.8 FZB	Bolt ISO 4014 - M12 x 25-8.8 FZB
10	4165 34150 00	Stoppring Ø70/45X20	Stopring Ø70/45X20
11	4721 44 27 01	Fjädrande rörpinne FRP 10x 80 FZB	Spring Pin ISO 8752 - 10 x 80 FZB
12	4165 32941 50	Hydraulcylinder Dämpare, Ø63/32x79	Hydraulic cylinder Absorber, Ø63/32x79
13	4165 34041 00	Hydraulslang 1/4" 1/4" banjo L=150	Hose 1/4" 1/4" banjo L=150
14	4165 23339 00	Banjoskruv 1/4" L=28	Banjo bolt
15	4165 12983 01	Gummistålbricka, G1/4"	Bonded seal, G1/4
16	4734 11 86 01	Bricka BRB 17x30 FZB	Washer ISO 7089 - 16
17	4165 35872 50	Hydraulcylinder DV, Ø80/40x81	Hydraulic cylinder DA, Ø80/40x81
18	4165 28015 00	Bricka, Ø25/50x8	Washer, Ø25/50x8
19	4721 43 47 01	Fjädrande rörpinne FRP 6x 40 FZB	Spring Pin ISO 8752 - 6 x 40 FZB
20	4165 86079 00	Tapp för åskomponent	Pin for beam
21	4165 36019 00	Glidlager, Ø45/50x40	Bearing, Ø45/50x40
22	4165 36536 00	Slitbricka, Ø47/80x2	Washer, Ø47/80x2
23	4165 34189 50	Kolvstång Ø32, kompl	Piston rod Ø32, cpl
24	4732 21 24 51	Mutter M6M 16- 8 NF FZB	Nut ISO 7040-M16-8-NF FZB
25	4165 90856 00	Skruv M16x215-12.9 MW	Bolt M16x215-12.9 MW
26	4735 21 85 88	Bricka Nord-Lock NLX 16 SP FZB	Washer Nord-Lock NLX 16 SP FZB
27	4165 32942 50	Cylinderrör Ø63/73, kompl	Cylinder tube Ø63/73, cpl
28	4165 86558 00	Styrning, Ø63/32	Guide, Ø63/32
29	4165 86550 00	Låsringshalvor för cyl Ø63	Locking halves for cyl Ø63
30	4735 31 46 61	Spårring AV 58 FZB	Retaining ring AV 58 FZB
31	4165 34198 00	Distansring	Spacer
32	4165 28736 50	Fälg med nav, 9.00x12	Rim with hub, 9.00x12
33	4165 28126 00	Däck, 26x12.00-12	Tyre, 26x12.00-12
34	4165 29036 00	Dekal: Däcktryck 270kPa	Decal: Tyre pressure 270kPa
35	4165 93470 00	Hylsa, Ø31/35x64,2	Sleeve, Ø31/35x64,2
36	4165 93473 00	Z-lamell, Z 007	Z-lamell, Z 007
37	4165 93469 00	Navkapsel Hadsten nr 928	Hub cap Hadsten no 928
38	4738 22 06 19	Kullager 6206-2RS1	Ballbearing 6206-2RS1
39	4738 23 05 34	Kullager 6305-2RS1	Ballbearing, 6305-2RS1
40	4165 34192 00	Packningssats	Sealing kit
41	4165 36249 52	Hjul 26x12.00-12, kompl	Wheel 26x12.00-12, cpl
42	4165 36467 50	Cylinderrör Ø80/90, komplett	Hydraulic tube Ø80/90, cpl
43	4165 35893 00	Kolvstång Ø40, L=175	Piston rod Ø40, L=175
44	4165 36451 50	Styrning, Ø80/40 gängad	Guide, Ø80/40 threaded
45	4165 36535 00	Ställhylsa, M48x2	Adjustment sleeve, M48x2
46	4165 35870 00	Kolv, Ø80/40 gängad	Piston, Ø80/40 threaded
47	4738 61 32 02	Kula	Ball
48	4165 83046 00	Tryckfjäder	Push Spring
49	Styrkon	Cone	
50	4165 35871 00	Packningssats till 35865	Sealing kit for 35865
68	4165 35536 90	Pendelhjulkonsol	Pendeliumwheel Bracket
69	4165 28181 90	Montage stubbaxel	Montage axle

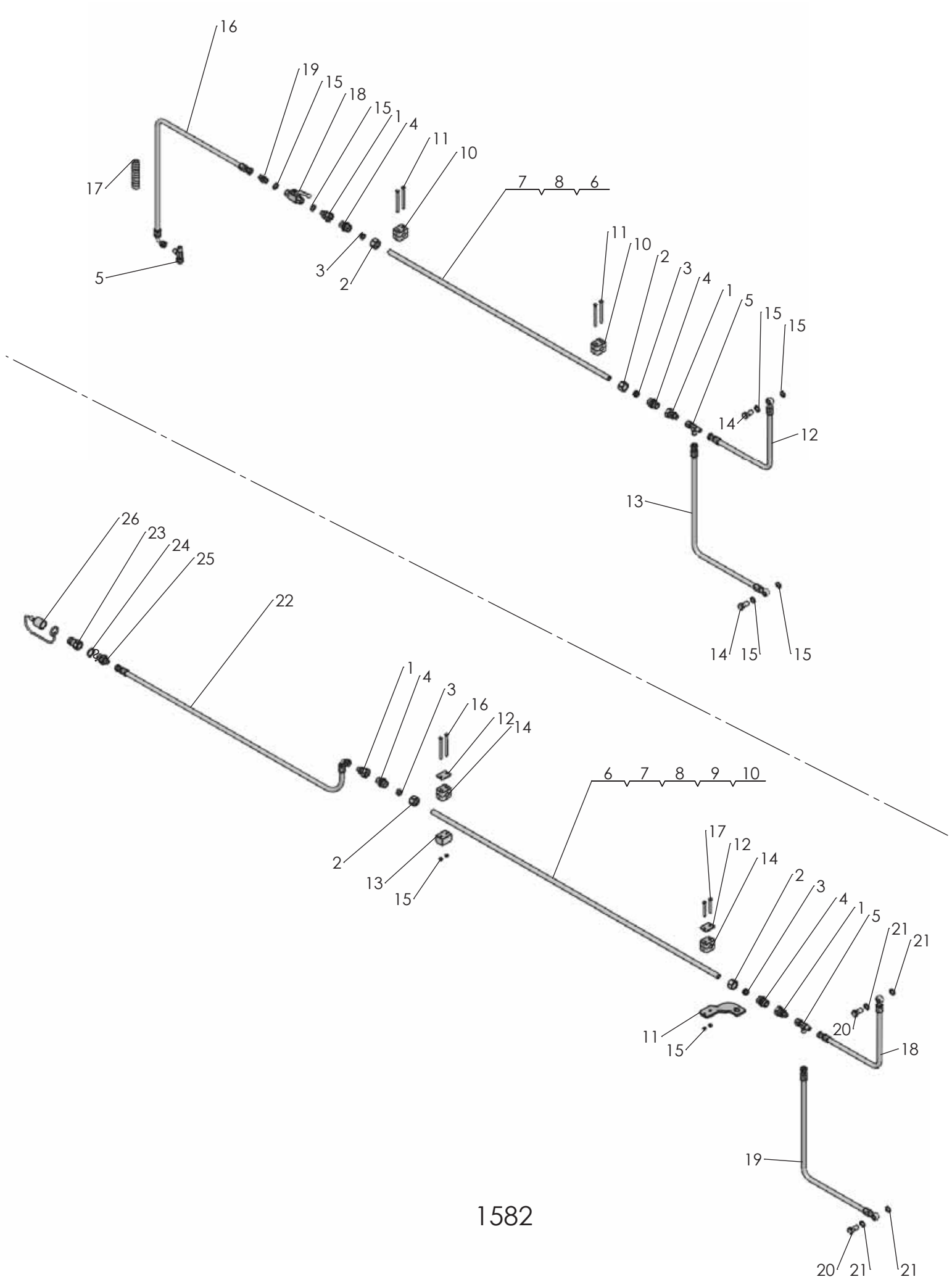




1581

Pos nr/ Ref No	Detalj nr/ Part No	Benämning	Description
1581 Ö	36012-92, 95	HYDRALISKT PENDELHJUL	HYDRAULIC PENDULUM WHEEL
70	4165 35534 90	Hjularm	Pendulum arm
71	4165 34095 90	Hjulfäste övre	Wheelbracket upper
72	4165 34094 90	Hjulfäste nedre	Wheelbracket lower
73	4165 89489 00	Bricka, Ø13/25x10	Washer, Ø13/25x10
74	4725 27 01 81	Skruv M6S 20x240-10.9 MW	Bolt ISO 4014 - M20 x 240-10.9 MW
75	4165 24761 00	Hylsa, Ø21/32x194	Sleeve, Ø21/32x194
76	4165 98372 40	Hylsa, Ø16/32x168	Sleeve, Ø16/32x168
77	4731 23 26 51	Mutter M6M 20-10 MW	Nut ISO - 4032 - M20-10 MW
78	4165 03607 05	Mutter M6M 16-12 MW	Nut ISO 4032-16-12 MW
79	4165 20377 00	Skruv, M6S 16x50-10.9 MW	Bolt, M6S 16x50-10.9 MW
80	4165 85884 00	Bricka, Ø17/38x10	Washer, Ø17/38x10
81	4731 23 24 51	Mutter M6M 16-10 MW	Nut ISO-4032 M16-10 MW
82	4735 21 92 88	Bricka Nord-Lock NLX 20 SP FZB	Washer Nord-Lock NLX 20 SP FZB
83	4165 34481 90	Hjulfäste CX-F	Wheelbracket CX-F
84	4165 34652 00	Bricka, Ø30,25/40x9,7	Washer, Ø30,25/40x9,7

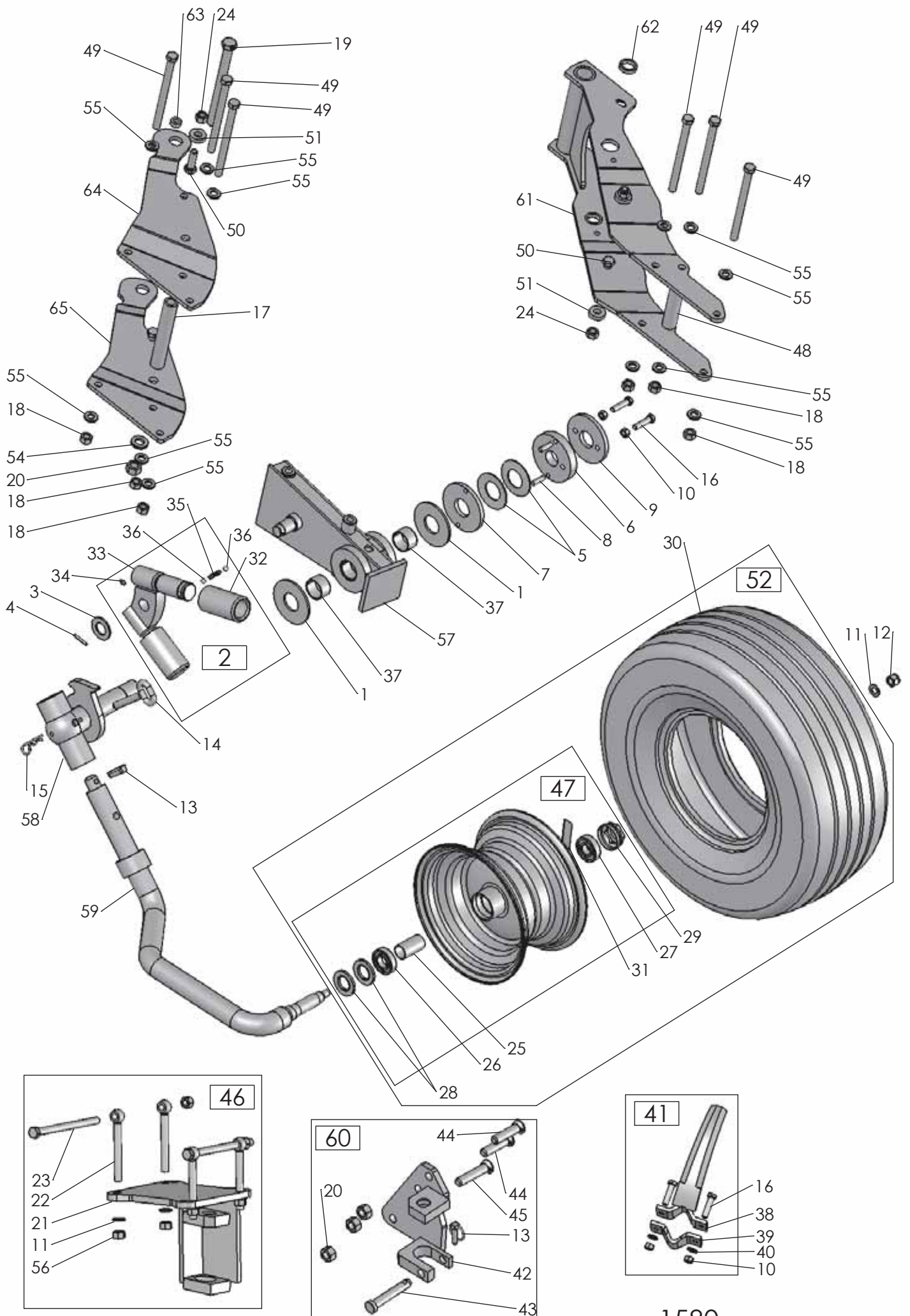




1582

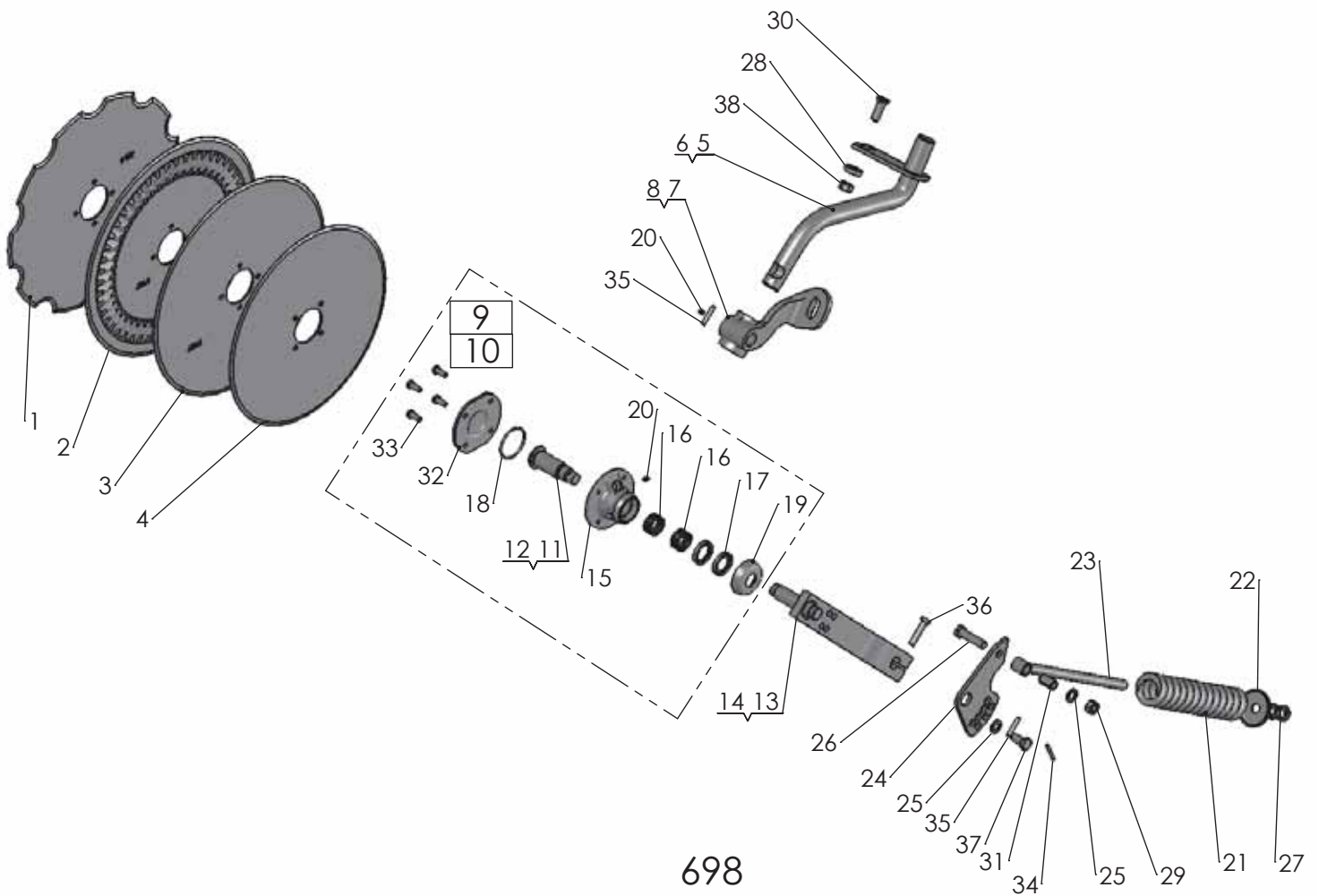
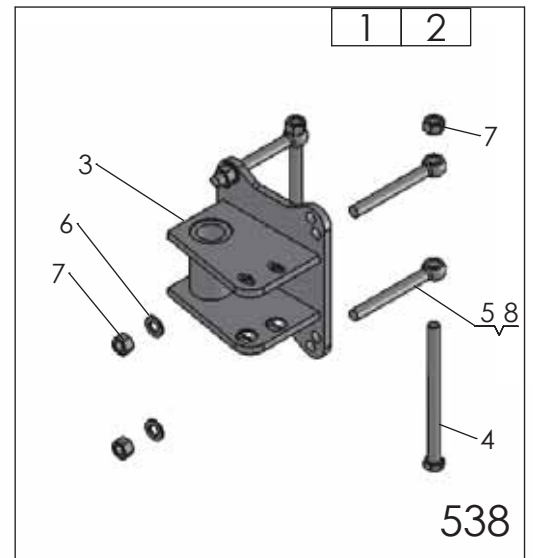
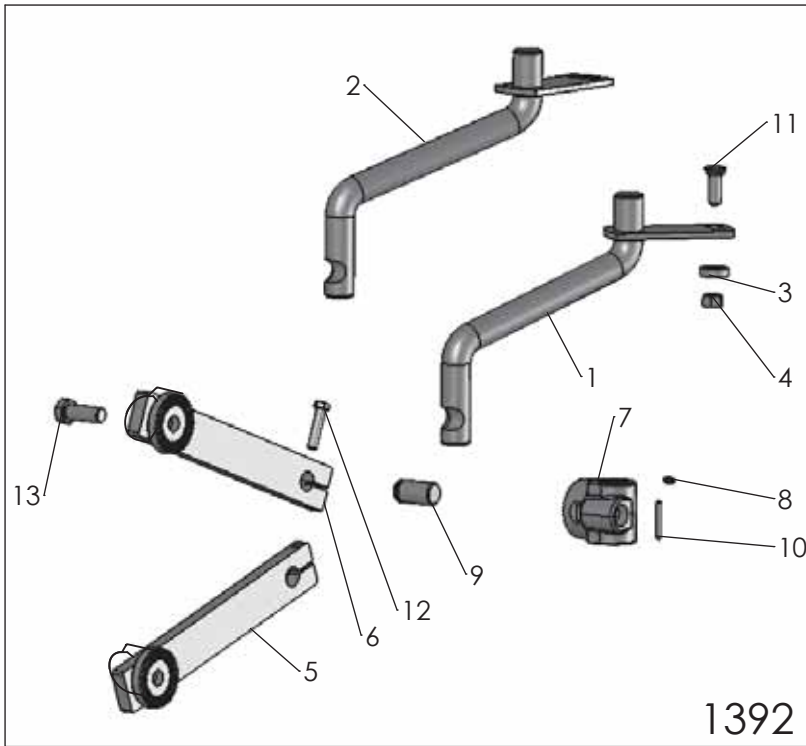
Pos nr/ Ref No	Detalj nr/ Part No	Benämning	Description
1582 Ö	36601	HYDRAULISK DJUPJUSTERING H	HYDRAULIC DEPTH ADJUSTMENT H
1	500237522	Rak adapt	Stright union
2	4165 75934 00	Mutter, M22x1,5	Nut, M22x1,5
3	4165 75935 00	Skärring Ø15	Cutting ring Ø15
4	4165 75752 00	Rakadapt 1/2"-M22	Union 1/2"-M22
5	4165 91077 00	T-adapt	T-Union
6	4165 36102 00	Hydraulrör, RH 15x2, L= 100	Hydraulic tube, RH 15x2, L= 100
7	4165 98879 00	Hydraulrör, RH 15x2, L=1000	Hydraulic tube, RH 15x2, L=1000
8	4165 28613 00	Hydraulrör, RH 15x2, L=1108	Hydraulic tube, RH 15x2, L=1108
9	4165 36190 00	Hydraulrör, RH 15x2, L= 1890	Hydraulic tube, RH 15x2, L= 1890
10	4165 91204 00	Klammerpar, Ø15	Tube clamps, Ø15
11	4725 23 86 51	Skruv M6S 6x 80- 8.8 FZB	Bolt ISO 4014 - M6 x 80-8.8 FZB
12	4165 36167 00	Hydraulslang 1/4, L=580	Hydraulic hose 1/4, L=580
13	4165 36168 00	Hydraulslang 1/4, L=750	Hydraulic hose 1/4, L=750
14	4165 23339 00	Banjoskruv 1/4" L=28	Banjo bolt
15	4165 12983 01	Gummistålbricka, G1/4"	Bonded seal, G1/4
16	4165 15295 00	Hydraulslang, L=1200	Hydraulic hose, L=1200
17	4165 98919 00	Plastspiral, L=100	Plastic spiral, L=100
18	4165 84096 00	Kulventil, ISO-G1/4	Ball valve, ISO-G1/4
19	4165 79031 00	Adapt, 1/4" - 1/4"	Stright union, 1/4" - 1/4"

Pos nr/ Ref No	Detalj nr/ Part No	Benämning	Description
1582 Ö	36601	HYDRAULISK DJUPJUSTERING F	HYDRAULIC DEPTH ADJUSTMENT F
1	500237522	Rak adapt	Stright union
2	4165 75934 00	Mutter, M22x1,5	Nut, M22x1,5
3	4165 75935 00	Skärring Ø15	Cutting ring Ø15
4	4165 75752 00	Rakadapt 1/2"-M22	Union 1/2"-M22
5	4165 91077 00	T-adapt	T-Union
6	4165 36421 00	Hydraulrör, RH 15x2, L=1300	Hydraulic tube, RH 15x2, L=1300
7	4165 36497 00	Hydraulrör, RH 15x2, L= 1560	Hydraulic tube, RH 15x2, L= 1560
8	4165 36193 00	Hydraulrör, RH 15x2, L= 2200	Hydraulic tube, RH 15x2, L= 2200
9	4165 36156 00	Hydraulrör, RH 15x2, L= 2555	Hydraulic tube, RH 15x2, L=2555
10	4165 85490 00	Hydraulrör, RH 15x2, L=3090	Hydraulic tube, RH 15x2, L=3090
11	4165 25564 00	Klammerfäste	Clamp bracket
12	4165 91205 00	Täckplatta 26	Covering plate 26
13	4165 28092 00	Distans	Spacer
14	4165 91204 00	Klammerpar, Ø15	Tube clamps, Ø15
15	4731 23 16 01	Mutter M6M 6- 8 FZB	Nut ISO - 4032 - M6-8 FZB
16	4725 23 86 51	Skruv M6S 6x 80- 8.8 FZB	Bolt ISO 4014 - M6 x 80-8.8 FZB
17	4725 23 80 51	Skruv M6S 6x 50- 8.8 FZB	Bolt ISO 4014 - M6 x 50-8.8 FZB
18	4165 36167 00	Hydraulslang 1/4, L=580	Hydraulic hose 1/4, L=580
19	4165 36168 00	Hydraulslang 1/4, L=750	Hydraulic hose 1/4, L=750
20	4165 23339 00	Banjoskruv 1/4" L=28	Banjo bolt
21	4165 12983 01	Gummistålbricka, G1/4"	Bonded seal, G1/4
22	4165 15294 00	Hydraulslang, L=2900	Hydraulic hose, L=2900
23	4165 74814 00	Handel 1/2"	Quick coupling M, 1/2"
24	4165 80316 00	Gummistålbricka, G1/2	Bonded seal, G1/2
25	4165 77231 00	Rak adapt 1/2" - 1/4"	Stright union
26	4165 78383 00	Handelsskydd	Protective cap



1580

Pos nr/Ref No	Detalj nr/Part No	Benämning	Description
1580 Ö	23590-11,13,15,17	KOMBIHJUL	COMBI WHEEL
1	41 65 96498 00	Bromslager	Brake disc
2	41 65 94946 00	Spärrkläpp	Catch cpl.
3	4734 12 04 01	Bricka BRB 31x 56 FZB	Washer ISO 7089 - 30
4	4721 43 47 01	Fjädrande rörpinne FRP 6x 40 FZB	Spring Pin ISO 8752 - 6 x 40 FZB
5	41 65 97275 00	Tallriksfjäder, TF 90x46x2,5	Spring disc, TF 90x46x2,5
6	41 65 96499 00	Ledaxellås för tallriksbricka	Lock ring
7	41 65 97273 00	Tallrikshållare	Holder
8	41 65 97274 00	Styrtapp	Pivot pin
9	41 65 96501 00	Låsbricka	Lock washer
10	4731 23 22 01	Mutter M6M 12- 8 FZB	Nut ISO - 4032 - M12-8 FZB
11	4734 11 86 01	Bricka BRB 17x30 FZB	Washer ISO 7089 - 16
12	4732 21 24 51	Mutter M6M 16- 8 NF FZB	Nut ISO 7040-M16-8-NF FZB
13	41 65 85005 00	Ringsprint, Ø11x34	Linch pin, Ø11x34
14	41 65 98319 00	Säkringstapp, Ø16x105	Pin, Ø16x105
15	41 65 85763 00	Hörnållsprint, Ø3,5	Cotter pin, Ø3,5
16	4725 25 42 51	Skruv M6S 12x 50- 8.8 FZB	Bolt ISO 4014 - M12 x 50-8.8 FZB
17	41 65 24761 00	Hylsa, Ø21/32x194	Sleeve, Ø21/32x194
18	41 65 03607 05	Mutter M6M 16-12 MW	Nut ISO 4032-16-12 MW
19	4725 27 01 81	Skruv M6S 20x240-10.9 MW	Bolt ISO 4014 - M20 x 240-10.9 MW
20	4731 23 26 51	Mutter M6M 20-10 MW	Nut ISO - 4032 - M20-10 MW
21	41 65 23480 90	Hjulfäste, Butterfly-transport	Bracket
22	41 65 25012 00	Länkskruv, M16x150	Swing bolt, M16x150
23	4725 26 54 51	Skruv M6S 16x220- 8.8 FZB	Bolt ISO 4014 - M16 x 220-8.8 FZB
24	4731 23 24 51	Mutter M6M 16-10 MW	Nut ISO-4032 M16-10 MW
25	41 65 93470 00	Hylsa, Ø31/35x64,2	Sleeve, Ø31/35x64,2
26	4738 22 06 19	Kullager 6206-2RS1	Ballbearing 6206-2RS1
27	4738 23 05 34	Kullager 6305-2RS1	Ballbearing, 6305-2RS1
28	41 65 93473 00	Z-lamell Z007	Z-lamell Z007
29	41 65 93469 00	Navkapsel Hadsten nr 928	Hub cap Hadsten no 928
30	41 65 97338 00	Däck 10.0/80-12/10	Tyre 10.0/80-12/10
31	41 65 99369 00	Dekal: Däcktryck 300kPa	Decal: Tyre pressure 300kPa
32	41 65 94949 00	Hylsa	Sleeve
33	41 65 94947 00	Kläpp	Catch
34	4738 88 20 03	Smörjnippel, AM 8x1,25 FZB	Grease nipple, AM 8x1,25 FZB
35	41 65 83046 00	Tryckfjäder	Push Spring
36	4738 61 32 02	Kula	Ball
37	41 65 27994 00	Glidlager, Ø45/50x30 SBT	Slide bearing, Ø45/50x30 SBT
38	41 65 97435 40	Skrapa	Scraper
39	41 65 94538 40	Fästplåt	Bracket plate
40	4734 11 78 01	Bricka BRB 13x 24 FZB	Washer ISO 7089 - 12 FZB
41	41 65 97437 00	Skrapa, kompl	Scraper, cpl
42	41 65 94489 90	Fäste	Bracket
43	41 65 93005 00	Tapp	Pivot pin
44	41 65 03602 60	Skruv MFBK 20x 85-10.9 MW	Nib bolt MFBK 20x 85-10.9 MW
45	41 65 03602 61	Skruv MFBK 20x100-10.9 MW	Nib bolt MFBK 20x100-10.9 MW
46	41 65 25011 90	Hjulhållare komplett	Wheelbracket cmpl
47	41 65 97339 50	Fälg med nav, 7.00x12	Rim with hub, 7.00x12
48	41 65 98372 40	Hylsa, Ø16/32x168	Sleeve, Ø16/32x168
49	41 65 90856 00	Skruv M16x215-12.9 MW	Bolt M16x215-12.9 MW
50	41 65 20377 00	Skruv, M6S 16x50-10.9 MW	Bolt, M6S 16x50-10.9 MW
51	41 65 85884 00	Bricka, Ø17/38x10	Washer, Ø17/38x10
52	41 65 36247 51	Hjul 10.0/80-12, kompl	Wheel 10.0/80-12, cpl
54	4735 21 92 88	Bricka Nord-Lock NLX 20 SP FZB	Washer Nord-Lock NLX 20 SP FZB
55	4735 21 85 88	Bricka Nord-Lock NLX 16 SP FZB	Washer Nord-Lock NLX 16 SP FZB
56	4731 23 24 01	Mutter M6M 16- 8 FZB	Nut ISO - 4032 - M16-8 FZB
57	41 65 98321 90	Konsol för bultade sidor	Bracket
58	41 65 24068 90	Axelfästning	Axle mounting
59	41 65 24067 90	Hjulaxel	Wheelaxle
60	41 65 94540 90	Fäste komplett	Bracket cmpl
61	41 65 34481 90	Hjulfäste CX-F	Wheelbracket CX-F
62	41 65 34652 00	Bricka, Ø30,25/40x9,7	Washer, Ø30,25/40x9,7
63	41 65 89489 00	Bricka, Ø13/25x10	Washer, Ø13/25x10
64	41 65 34095 90	Hjulfäste övre	Wheelbracket upper
65	41 65 34094 90	Hjulfäste nedre	Wheelbracket lower

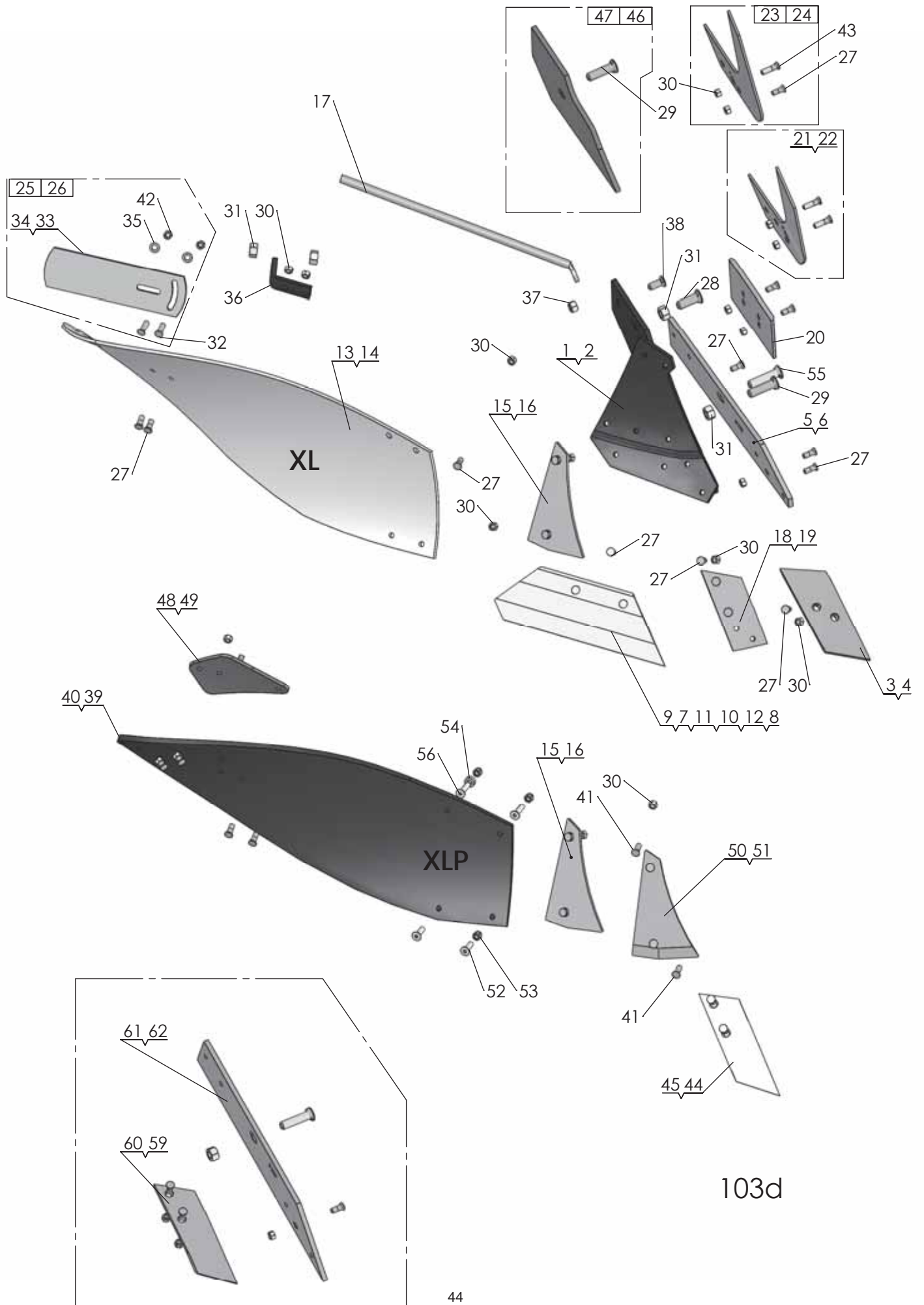




Pos nr/Ref No	Detalj nr/Part No	Benämning	Description
<b>1392 Ö</b>		<b>FAST SKIVRIST</b>	<b>DISC COULTER RIGID</b>
1	4165 94244 90	Skivristskaft 289X230, höger fast	Disc couler shank 289X230, RH
2	4165 94243 90	Skivristskaft 289x230, vänster	Disc couler shank 289x230, LH
3	4165 85884 00	Bricka, Ø17/38x10	Washer, Ø17/38x10
4	4731 23 24 01	Mutter M6M 16- 8 FZB	Nut ISO - 4032 - M16-8 FZB
5	4165 20769 90	Inställningsarm med kuggkr. Höger	Adjustment arm. Right
6	4165 20770 90	Inställningsarm med kuggkr.vänster	Adjustment arm, Left
7	4165 94734 90	Lagerkuts för skivrist	Bearing house for disc couler
8	4738 88 20 03	Smörjnippel, AM 8x1,25 FZB	Grease nipple, AM 8x1,25 FZB
9	4165 95089 00	Tapp, Ø30x56	Pin, Ø30x56
10	4721 43 49 01	Fjädrande rörpinne FRP 6x 50 FZB	Spring Pin ISO 8752 - 6 x 50 FZB
11	4165 03602 35	Skruv MFBK 16x 50-10.9 MW	Nib bolt MFBK 16x 50-10.9 MW
12	4725 25 43 51	Skruv M6S 12x 55- 8.8 FZB	Bolt ISO 4014 - M12 x 55-8.8 FZB
13	4725 26 75 51	Skruv M6S 20x 55- 8.8 FZB	Bolt ISO 4014 - M20 x 55-8.8 FZB

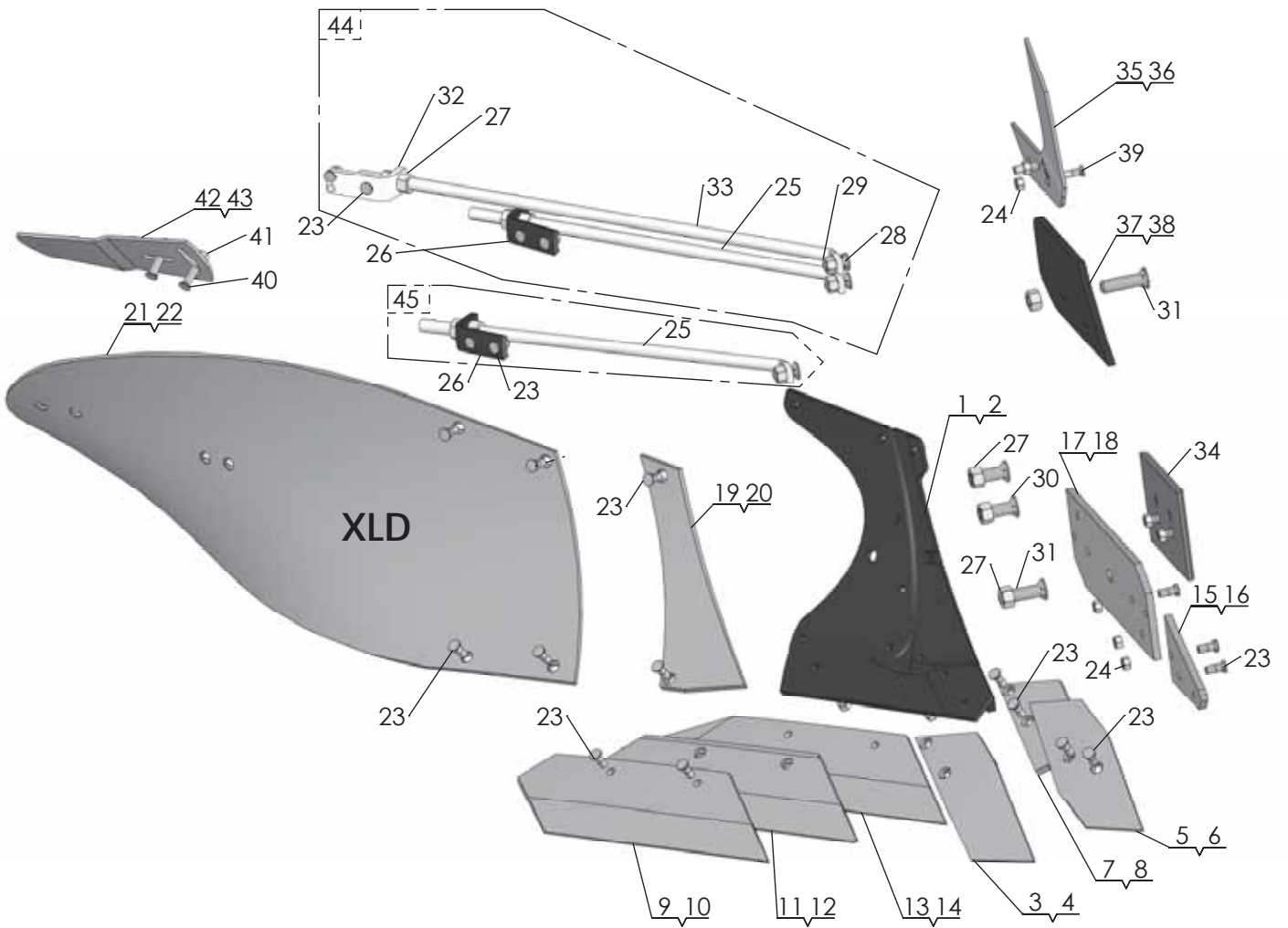
Pos nr/Ref No	Detalj nr/Part No	Benämning	Description
<b>698 Ö</b>		<b>FJÄDRANDE SKIVRIST</b>	<b>DISC COULTER SPRING-LOADED</b>
1	4165 80664 40	Skivristklinga Ø500 (20"), tandad	Couler disc Ø500 (20"), notched
2	4165 80663 40	Skivristklinga Ø500, ripplad	Disk couler Ø500, rippled
3	4165 80662 40	Skivristklinga Ø500, slät	Disc couler Ø500, plain
4	4165 72547 40	Skivristklinga Ø457 (18"), slät	Disc couler Ø457 (18"), plain
5	4165 27751 90	Skivristskaft 296x266, höger	Disc couler shank 296x266, RH
6	4165 27752 90	Skivristskaft 296x266, vänster	Disc couler shank 296x266, LH
7	4165 35304 90	Skivristfäste höger gjuten	Disc bracket right casting
8	4165 35412 90	Skivristfäste vänster gjuten	Disc bracket left casting
9	4165 75975 00	Skivristnav utan klinga, höger	Disc couler hub without disc, RH
10	4165 92237 00	Skivristnav utan klinga, vänster	Disc couler hub without disc, LH
11	4165 81076 00	Tapp, skivrist höger	Pin, disc couler RH
12	4165 85671 00	Tapp, skivrist vänster	Pin, disc couler LH
13	4165 86639 90	Skivristarm, höger	Disc couler arm, RH
14	4165 86642 90	Skivristarm, vänster	Disc couler arm, LH
15	4165 80967 40	Nav, skivrist	Hub, disc couler
16	4165 75545 00	Nållager, 35/42x20	Needle bearing, 35/42x20
17	4740 51 77 00	Radialtätning, A35x52x7	Sealing ring, A35x52x7
18	4740 48 48 04	O-ring, OR 65,09x3,53	O-ring, OR 65,09x3,53
19	4165 80959 00	Tätningbricka	Sealing washer
20	4738 88 20 03	Smörjnippel, AM 8x1,25 FZB	Grease nipple, AM 8x1,25 FZB
21	4165 81529 00	Tryckfjäder	Spring
22	4165 80961 00	Bricka (fjäderstyrning)	Washer (spring guide)
23	4165 85438 00	Dragstång för skivrist	Shank
24	4165 25249 90	Hävarm	Lever
25	4734 11 86 01	Bricka BRB 17x30 FZB	Washer ISO 7089 - 16
26	4725 26 33 51	Skruv M6S 16x 65- 8.8 FZB	Bolt ISO 4014 - M16 x 65-8.8 FZB
27	4731 43 26 01	Mutter ML6M 20- 5 FZB	Hexagon Thin Nut ISO - 4035 - M20
28	4165 85884 00	Bricka, Ø17/38x10	Washer, Ø17/38x10
29	4731 23 24 01	Mutter M6M 16- 8 FZB	Nut ISO - 4032 - M16-8 FZB
30	4165 03602 35	Skruv MFBK 16x 50-10.9 MW	Nib bolt MFBK 16x 50-10.9 MW
31	4165 86240 09	Fjädrande rörpinne FRP 20x 36	Spring pin DIN 7346 S Ø20x36
32	4165 80966 40	Lock för plan klinga	Cover for disc
33	4725 24 93 51	Skruv M6S 10x 25- 8.8 FZB	Bolt ISO 4014 - M10 x 25-8.8 FZB
34	4721 43 49 01	Fjädrande rörpinne FRP 6x 50 FZB	Spring Pin ISO 8752 - 6 x 50 FZB
35	4721 43 84 01	Fjädrande rörpinne FRP 8x 45 FZB	Spring Pin ISO 8752 - 8 x 45 FZB
36	4725 25 43 51	Skruv M6S 12x 55- 8.8 FZB	Bolt ISO 4014 - M12 x 55-8.8 FZB
37	4725 26 24 51	Skruv M6S 16x 30- 8.8 FZB	Bolt ISO 4014- M16x 30-8.8 FZB
38	4731 23 24 51	Mutter M6M 16-10 MW	Nut ISO-4032 M16-10 MW

Pos nr/Ref No	Detalj nr/Part No	Benämning	Description
<b>538 Ö</b>		<b>SKIVRISTFÄSTE</b>	<b>DISC COULTER BRACKET</b>
1	4165 24083 90	Skivristfäste komplett, 150x100	Disc couler bracket, 150x100 cpl
2	4165 96375 90	Skivristfäste komplett (150x150)	Disc couler bracket cpl (150x150)
3	4165 24590 90	Skivristfäste f ram 150x100, 150x150	Disc couler bracket for 150x100, 150x150
4	4725 26 54 51	Skruv M6S 16x220- 8.8 FZB	Bolt ISO 4014 - M16 x 220-8.8 FZB
5	4165 25012 00	Länkskruv, M16x150	Swing bolt, M16x150
6	4734 11 86 01	Bricka BRB 17x30 FZB	Washer ISO 7089 - 16
7	4731 23 24 01	Mutter M6M 16- 8 FZB	Nut ISO - 4032 - M16-8 FZB
8	4165 24524 00	Länkskruv, M16x200	Eye bolt, M16x200



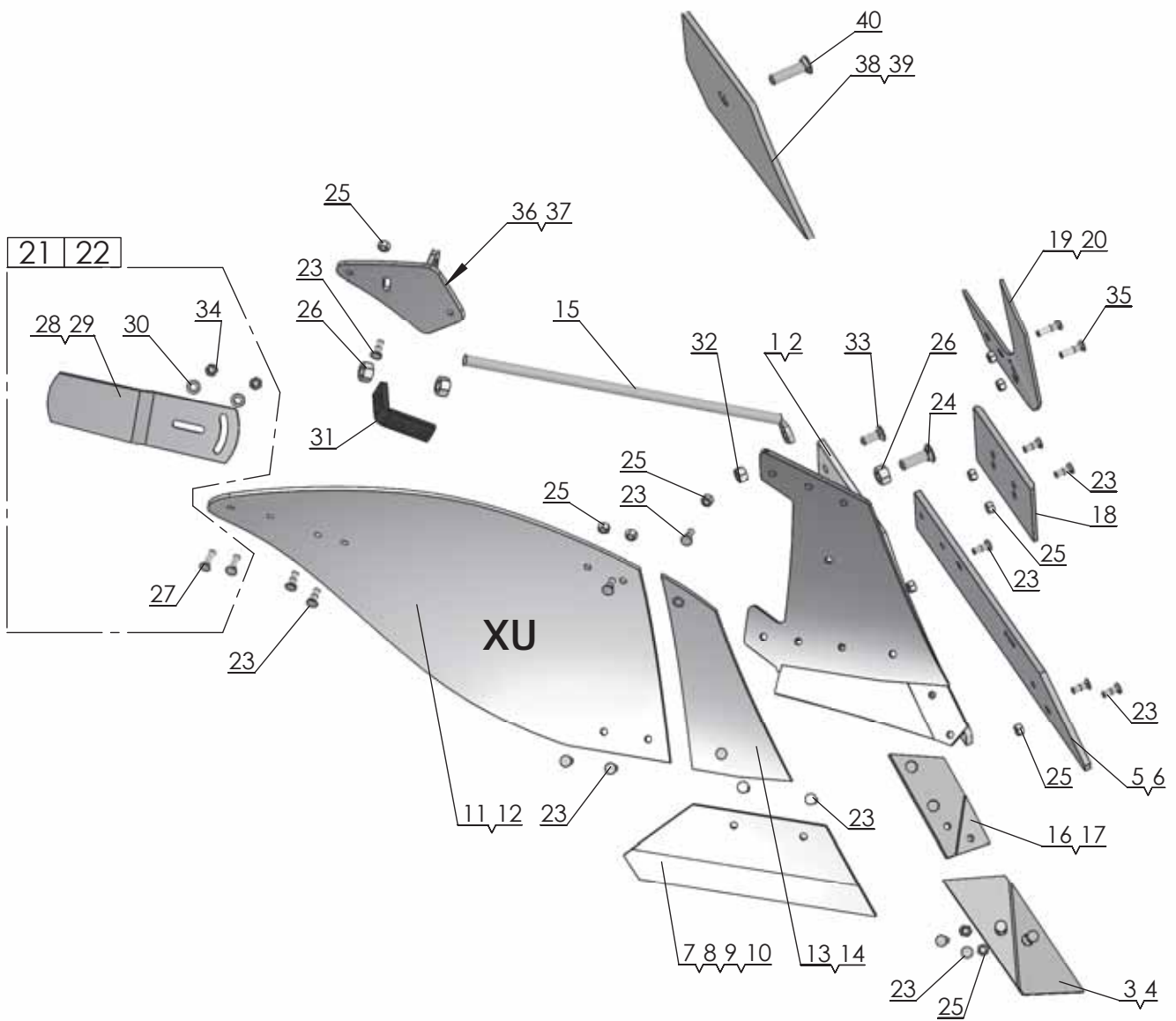


Pos nr/ Ref No	Detalj nr/ Part No	Benämning	Description
103D		<b>Plogkropp XL, XLP</b>	<b>Plough Body XL, XLP</b>
1	4165 94616 90	Ställ XL, Höger	Frog XL, Right
2	4165 94617 90	Ställ XL, Vänster	Frog XL, Left
3	4165 94608 09	Spets höger XL, XU, kompl	Point right XL, XU, cpl
4	4165 94609 09	Spets vänster XL, XU, kompl	Point left XL, XU, cpl
5	4165 94604 09	Landsida XL höger, kompl	Landside XL RH, cpl
6	4165 94605 09	Landsida XL vänster, kompl	Landside XL LH, cpl
7	4165 94598 09	Skär höger 350 (14") XL, kompl	Share RH 350 (14") XL, cpl
8	4165 94599 09	Skär vänster 350 (14") XL, kompl	Share LH 350 (14") XL, cpl
9	4165 94600 09	Skär höger 400 (16") XL, kompl	Share RH 400 (16") XL, cpl
10	4165 94601 09	Skär vänster 400 (16") XL, kompl	Share LH 400 (16") XL, cpl
11	4165 94602 09	Skär höger 450 (18") XL, kompl	Share RH 450 (18") XL, cpl
12	4165 94603 09	Skär vänster 450 (18") XL, kompl	Share LH 450 (18") XL, cpl
13	4165 94594 09	Vändskiva XL/AX kompl, höger	Mouldboard XL/AX cpl, RH
14	4165 94595 09	Vändskiva XL/AX kompl, vänster	Mouldboard XL/AX cpl, LH
15	4165 94596 09	Vändskivebröst XL höger, kompl	Mouldboard shin XL right, cpl
16	4165 94597 09	Vändskivebröst XL vänster, kompl	Mouldboard shin XL left, kompl
17	4165 94614 00	Vändskivestötta XL, AX	Support Stay XL, AX
18	4165 94612 09	Spetsplatta XL höger, kompl	Point plate XL RH, cpl
19	4165 94613 09	Spetsplatta XL vänster, kompl	Point plate LH, cpl
20	4165 94289 09	Slitplatta låg, kompl	Wearing plate low, cpl
21	4165 94622 09	Knivrist kompl, höger	Knife coulter cpl, RH
22	4165 94623 09	Knivrist kompl, vänster	Knife coulter cpl, LH
23	4165 29438 09	Knivrist QR höger, kompl	Knife coulter QR RH, cpl
24	4165 29439 09	Knivrist QR vänster, kompl	Knife coulter QR LH, cpl
25	4165 85461 09	Tiltvinge höger, kompl	Mouldboard extension RH, cpl
26	4165 85462 09	Tiltvinge vänster, kompl	Mouldboard extension LH, cpl
27	4165 03612 21	Skruv MFBKF 12x32-12.9 MW	Nib bolt MFBKF 12x32-12.9 MW
28	4165 03602 57	Skruv MFBK 20x 60-10.9 MW	Nib bolt MFBK 20x 60-10.9 MW
29	4165 03602 58	Skruv MFBK 20x 75-10.9 MW	Nib bolt MFBK 20x 75-10.9 MW
30	4165 03613 03	Mutter M6M 12-12 MW	Nut ISO - 8673 - M12 x 1.5-12 MW
31	731 23 26 51	Mutter M6M 20-10 MW	Nut ISO - 4032 - M20-10 MW
32	4165 03602 23	Skruv MFBK 12x 40-10.9 MW	Nib bolt MFBK 12x 40-10.9 MW
33	4165 74922 40	Tiltvinge, höger	Mouldboard extension, RH
34	4165 80559 40	Tiltvinge, vänster	Mouldboard extension, LH
35	734 11 78 01	Bricka BRB 13x 24 FZB	Washer ISO 7089 - 12 FZB
36	4165 94615 40	Stagvinkel	Bracket
37	731 23 24 01	Mutter M6M 16- 8 FZB	Nut ISO - 4032 - M16-8 FZB
38	4165 03602 33	Skruv MFBK 16x 40-10.9 MW	Nib bolt MFBK 16x 40-10.9 MW
39	4165 24803 09	Vändskiva XLP, Höger	Mouldboard XLP, Right
40	4165 24804 09	Vändskiva XLP vänster, kompl	Mouldboard XLP LH, cpl
41	4165 03602 22	Skruv MFBK 12x 35-10.9 MW	Nib bolt MFBK 12x 35-10.9 MW
42	731 23 22 51	Mutter M6M 12-10 MW	Nut ISO 4032-M12-10 MW
43	4165 03612 24	Skruv MFBKF 12x45-12.9 MW	Bolt MFBKF 12x45-12.9 MW
44	4165 96272 09	Spets nedsänkt XL, XS höger, kompl	Point short XL, XS RH, cpl
45	4165 96273 09	Spets nedsänkt XL, XS vänster, kompl	Point short XL, XS LH, cpl
46	4165 23924 09	Täckplåt XL/AX kompl, höger	Covering plate XL/AX cpl, RH
47	4165 23925 09	Täckplåt XL/AX kompl, vänster	Covering plate XL/AX cpl, LH
48	4165 24367 40	Vinkelstötta, höger	Angle support, RH
49	4165 24797 40	Vinkelstötta, vänster	Angle support, LH
50	4165 24801 09	Vändskivebröst med fas höger, kompl	Mouldboard shin with chamfer RH, cpl
51	4165 24802 09	Vändskivebröst med fas vänster, kompl	Mouldboard shin with chamfer LH, cpl
52	725 65 40 01	Skruv MF6S 12x 40- 8.8 FZB	Bolt ISO 10642 - M12 x 40-8.8 FZB
53	732 21 22 51	Mutter M6M 12- 8 NF FZB	Nut ISO 7040-M12
54	4165 89489 00	Bricka, Ø13/25x10	Washer, Ø13/25x10
55	4165 03602 60	Skruv MFBK 20x 85-10.9 MW	Nib bolt MFBK 20x 85-10.9 MW
56	725 65 42 01	Skruv MF6S 12x 50- 8.8 FZB	Bolt ISO 10642 - M12 x 50-8.8 FZB
59	4165 94611 09	Billspets AX, AH vänster, kompl	Point AX, AH left, cpl
60	4165 94610 09	Billspets AX, AH höger, kompl	Point AX, AH right, cpl
61	4165 94606 09	Landsida AX, AXP höger, kompl	Landside AX, AXP RH, cpl
62	4165 94607 09	Landsida AX, AXP, vänster, komp	Landside AX, AXP, LH, cpl



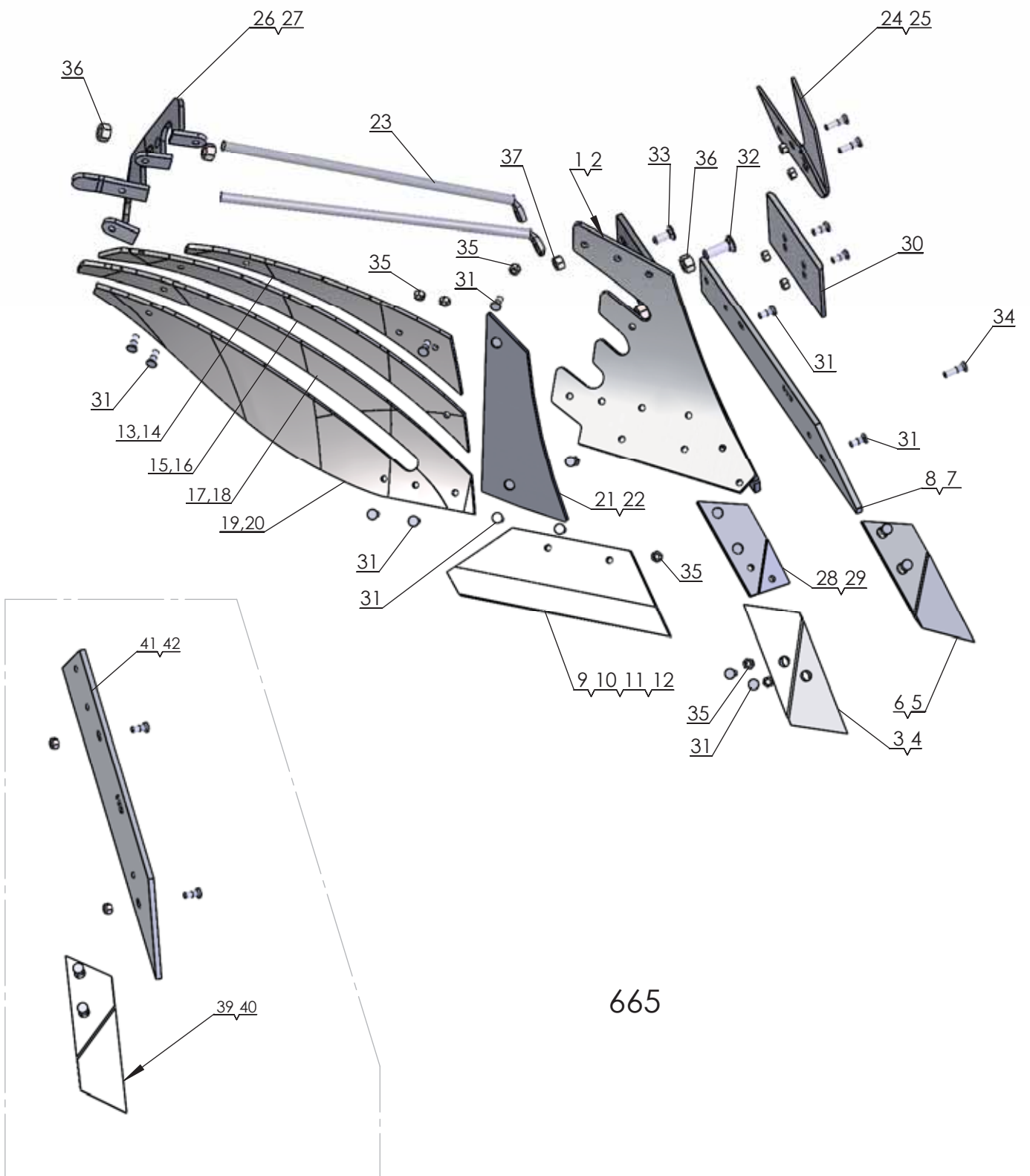
1320

Pos nr/ Ref No	Detalj nr/ Part No	Benämning	Description
1320		<b>Plogkropp XLD</b>	<b>Plough body XLD</b>
1	4165 35010 90	XLD Ställ, Höger	XLD Frog, Right
2	4165 35011 90	XLD Ställ, Vänster	XLD Frog, Left
3	4165 35070 09	XLD Spets, Höger, kompl.	XLD Point, Right, Compl.
4	4165 35071 09	XLD Spets, Vänster, Kompl.	XLD Point, Left, Compl.
5	4165 35074 09	XLD Vändbar Spets, Höger, Kompl.	XLD Reversible Point, Right, Compl.
6	4165 35075 09	XLD Vändbar Spets, Vänster, Kompl.	XLD Reversible Point, Left, Compl.
7	4165 35076 09	XLD Spetsplatta, Höger, Kompl.	XLD Point Bracket, Right, Compl.
8	4165 35077 09	XLD Spetsplatta, Vänster, Kompl.	XLD Point bracket, Left, Compl.
9	4165 35040 09	XLD Skär 16", Höger, Kompl.	XLD Share 16", Right, Compl.
10	4165 35041 09	XLD Skär 16", Vänster, Kompl.	XLD Share 16", Left, Compl.
11	4165 35042 09	XLD Skär 18", Höger, Kompl.	XLD Share 18", Right, Compl.
12	4165 35043 09	XLD Skär 18", Vänster, Kompl.	XLD Share 18", Left, Compl.
13	4165 35044 09	XLD Skär 20", Höger, Kompl.	XLD Share 20", Right, Compl.
14	4165 35045 09	XLD Skär 20", Vänster, Kompl.	XLD Share 20", Left, Compl.
15	4165 35060 09	XLD Landsida främre, Höger, Kompl.	XLD Landside Forward, Right, Compl.
16	4165 35061 09	XLD Landsida Främre, Vänster, Kompl.	XLD Landside Forward, Left, Compl.
17	4165 35062 09	XLD Landsida Bakre, Höger, Kompl.	XLD Landside Rear, Right, Compl.
18	4165 35063 09	XLD Landsida Bakre, Vänster, Kompl.	XLD Landside Rear, Left, Compl.
19	4165 35080 09	XLD Bröst, Höger, Kompl.	XLD Chest, Right, Compl.
20	4165 35081 09	XLD Bröst, Vänster, Kompl.	XLD Chest, Left, Compl.
21	4165 35020 09	XLD Vändskiva, Höger, Kompl.	XLD Mouldboard, Right, Compl.
22	4165 35021 09	XLD Vändskiva, Vänster, Kompl.	XLD Mouldboard, Left, Compl.
23	4165 03612 21	Skruv MFBKF 12x32-12.9 MW	Nib bolt MFBKF 12x32-12.9 MW
24	4165 03613 03	Mutter M6M 12-12 MW	Nut ISO - 8673 - M12 x 1.5-12 MW
25	4165 35094 00	XLD Vändskivestötta	XLD Mouldboard Stay
26	4165 94615 40	Stagvinkel	Bracket
27	731 23 26 51	Mutter M6M 20-10 MW	Nut ISO - 4032 - M20-10 MW
28	4165 03602 33	Skruv MFBK 16x 40-10.9 MW	Nib bolt MFBK 16x 40-10.9 MW
29	731 23 24 01	Mutter M6M 16- 8 FZB	Nut ISO - 4032 - M16-8 FZB
30	4165 03602 57	Skruv MFBK 20x 60-10.9 MW	Nib bolt MFBK 20x 60-10.9 MW
31	4165 03602 58	Skruv MFBK 20x 75-10.9 MW	Nib bolt MFBK 20x 75-10.9 MW
32	4165 35096 40	Stagfäste	Stay Bracket
33	4165 35095 00	XLD Vändskivestötta	XLD Mouldboard Stay
34	4165 94289 09	Slitplatta låg, kompl	Wearing plate low, cpl
35	4165 94622 09	Knivrist kompl, höger	Knife coulter cpl, RH
36	4165 94623 09	Knivrist kompl, vänster	Knife coulter cpl, LH
37	4165 35112 09	XLD Täckplåt ställ Kompl., Höger	XLD Cover plate Frog Compl., Right
38	4165 35113 09	XLD Täckplåt ställ Kompl. Vänster	XLD Frog protection plate Compl, Left
39	4165 03612 24	Skruv MFBKF 12x45-12.9 MW	Bolt MFBKF 12x45-12.9 MW
40	4165 03602 23	Skruv MFBK 12x 40-10.9 MW	Nib bolt MFBK 12x 40-10.9 MW
41	4165 03615 05	Mutter M6MF 12- 8 FZB	Nut ISO - 4161 - M12 FZB
42	4165 85461 09	Tiltvinge höger, kompl	Mouldboard extension RH, cpl
43	4165 85462 09	Tiltvinge vänster, kompl	Mouldboard extension LH, cpl
44	4165 35092 00	XLD Dubbel Stötta, kompl.	XLD Dubble Stay, Kit
45	4165 35090 00	XLD Stötta, kompl.	XLD Stay, Kit



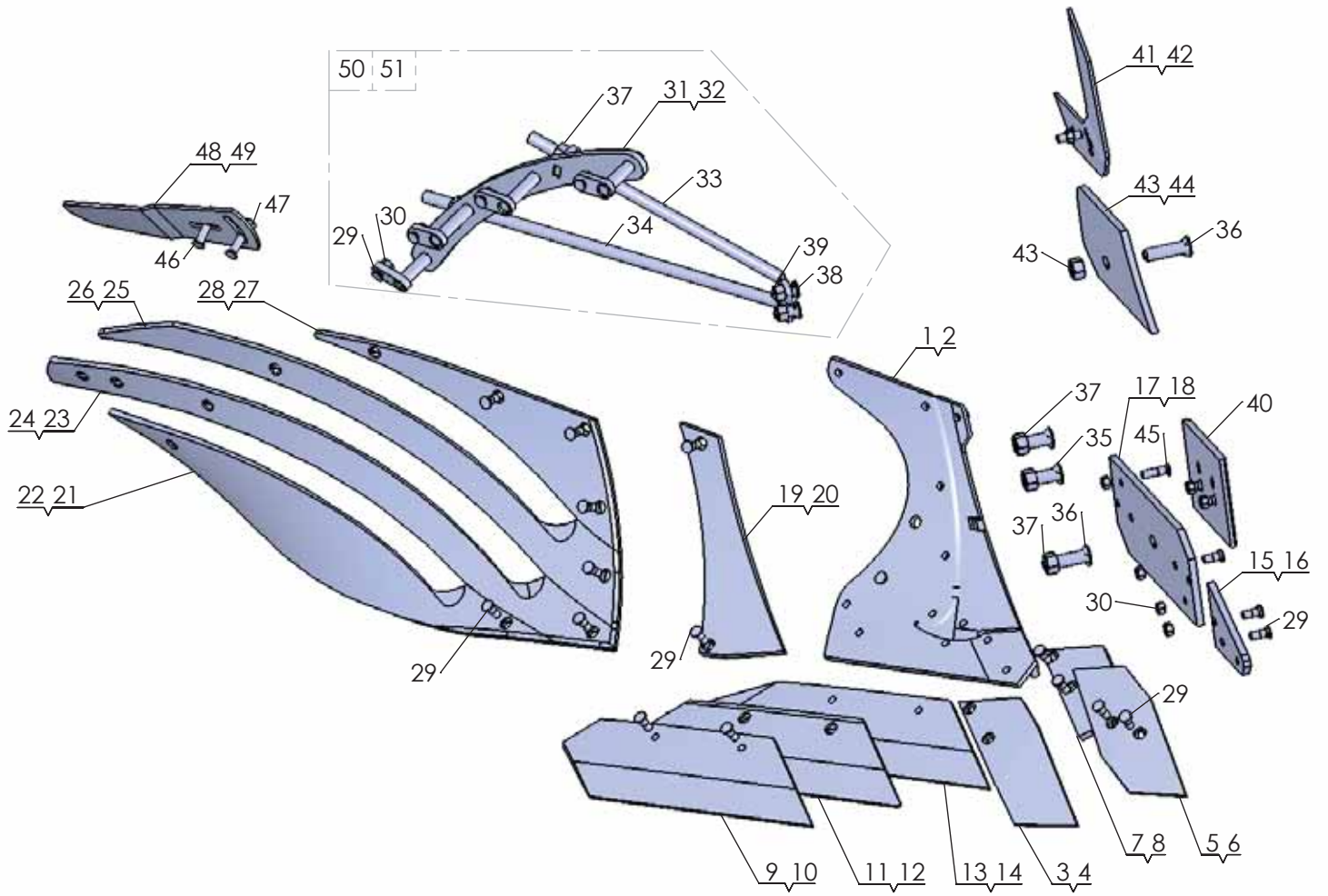
660

Pos nr/ Ref No	Detalj nr/ Part No	Benämning	Description
660		<b>PLOGKROPP XU</b>	<b>PLOUGH BODY</b>
1	4165 20539 90	Ställ XU Höger	Frog XU Right
2	4165 20540 90	Ställ XU Vänster	Frog XU Left
3	4165 94608 09	Spets höger XL, XU, kompl	Point right XL, XU, cpl
4	4165 94609 09	Spets vänster XL, XU, kompl	Point left XL, XU, cpl
5	4165 96094 09	Landsida XU höger, kompl	Landside XU RH, cpl
6	4165 96095 09	Landsida XU vänster, kompl	Landside XU LH, cpl
7	4165 96090 09	Skär XU 400 (16") höger, kompl	Share XU 400 (16") RH, cpl
8	4165 96091 09	Skär XU 400 (16") vänster, kompl	Share XU 400 (16") LH, cpl
9	4165 96092 09	Skär XU 450 (18") höger, kompl	Share XU 450 (18") RH, cpl
10	4165 96093 09	Skär XU 450 (18") vänster, kompl	Share XU 450 (18") LH, cpl
11	4165 96084 09	Vändskiva XU höger, kompl	Mouldboard XU RH, cpl
12	4165 96085 09	Vändskiva XU vänster, kompl	Mouldboard XU LH, cpl
13	4165 96086 09	Vändskivebröst XU/AH höger, kompl	Mouldboard shin XU/AH RH, cpl
14	4165 96087 09	Vändskivebröst XU/AH vänster, kompl	Mouldboard shin XU/AH LH, cpl
15	4165 96104 00	Vändskivestötta XU, AH, XS, AS	Mouldboard stay XU, AH, XS, AS
16	4165 94612 09	Spetsplatta XL höger, kompl	Point plate XL RH, cpl
17	4165 94613 09	Spetsplatta XL vänster, kompl	Point plate LH, cpl
18	4165 94289 09	Slitplatta låg, kompl	Wearing plate low, cpl
19	4165 94622 09	Knivrist kompl, höger	Knife coulter cpl, RH
20	4165 94623 09	Knivrist kompl, vänster	Knife coulter cpl, LH
21	4165 85461 09	Tiltvinge höger, kompl	Mouldboard extension RH, cpl
22	4165 85462 09	Tiltvinge vänster, kompl	Mouldboard extension LH, cpl
23	4165 03612 21	Skruv MFBKF 12x32-12.9 MW	Nib bolt MFBKF 12x32-12.9 MW
24	4165 03602 57	Skruv MFBK 20x 60-10.9 MW	Nib bolt MFBK 20x 60-10.9 MW
25	4165 03613 03	Mutter M6M 12-12 MW	Nut ISO - 8673 - M12 x 1.5-12 MW
26	731 23 26 51	Mutter M6M 20-10 MW	Nut ISO - 4032 - M20-10 MW
27	4165 03602 23	Skruv MFBK 12x 40-10.9 MW	Nib bolt MFBK 12x 40-10.9 MW
28	4165 74922 40	Tiltvinge, höger	Mouldboard extension, RH
29	4165 80559 40	Tiltvinge, vänster	Mouldboard extension, LH
30	734 11 78 01	Bricka BRB 13x 24 FZB	Washer ISO 7089 - 12 FZB
31	4165 94615 40	Stagvinkel	Bracket
32	731 23 24 01	Mutter M6M 16- 8 FZB	Nut ISO - 4032 - M16-8 FZB
33	4165 03602 33	Skruv MFBK 16x 40-10.9 MW	Nib bolt MFBK 16x 40-10.9 MW
34	731 23 22 51	Mutter M6M 12-10 MW	Nut ISO 4032-M12-10 MW
35	4165 03612 24	Skruv MFBKF 12x45-12.9 MW	Bolt MFBKF 12x45-12.9 MW
36	4165 24260 40	Vinkelstötta, höger	Angle bracket, RH
37	4165 24262 40	Vinkelstötta, vänster	Angle bracket, LH
38	4165 29282 09	Täckplåt XU/AH kompl, höger	Covering plate XU/AH cpl, RH
39	4165 29283 09	Täckplåt XU/AH kompl, vänster	Covering plate XU/AX cpl, LH
40	4165 03602 58	Skruv MFBK 20x 75-10.9 MW	Nib bolt MFBK 20x 75-10.9 MW
41	4165 94610 09	Billspets AX, AH höger, kompl	Point AX, AH right, cpl
42	4165 94611 09	Billspets AX, AH vänster, kompl	Point AX, AH left, cpl
43	4165 96096 09	Landsida AH, AS, höger, kompl	Landside AH, AS, right, cpl
44	4165 96097 09	Landsida AH, AS, vänster, kompl	Landside AH, AS, left, cpl



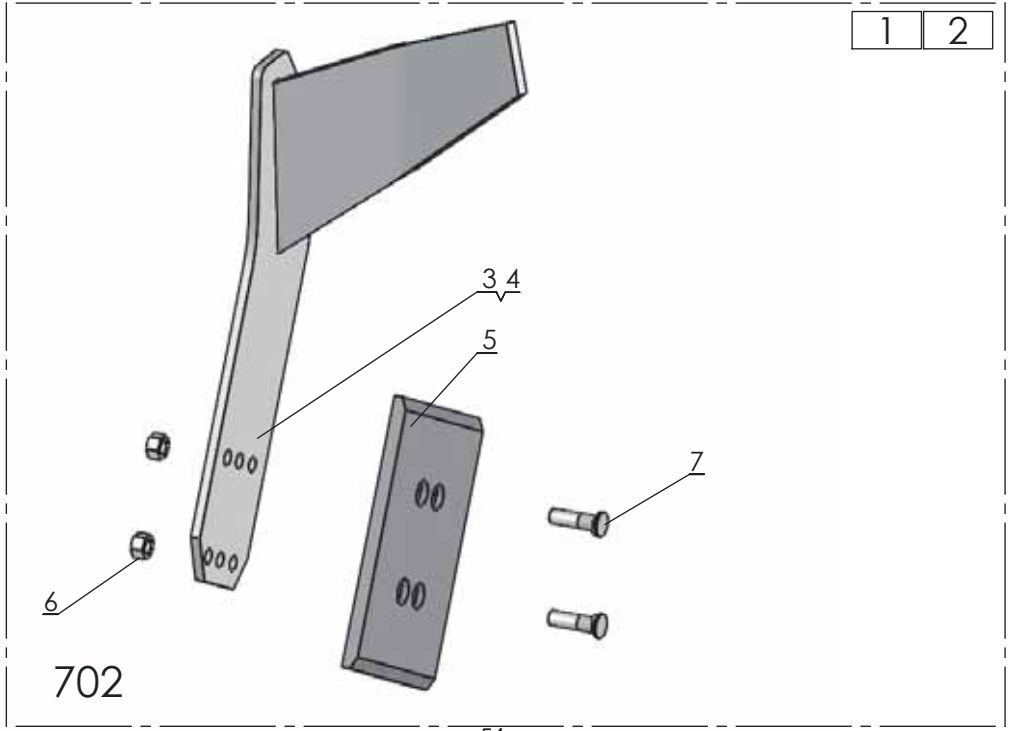
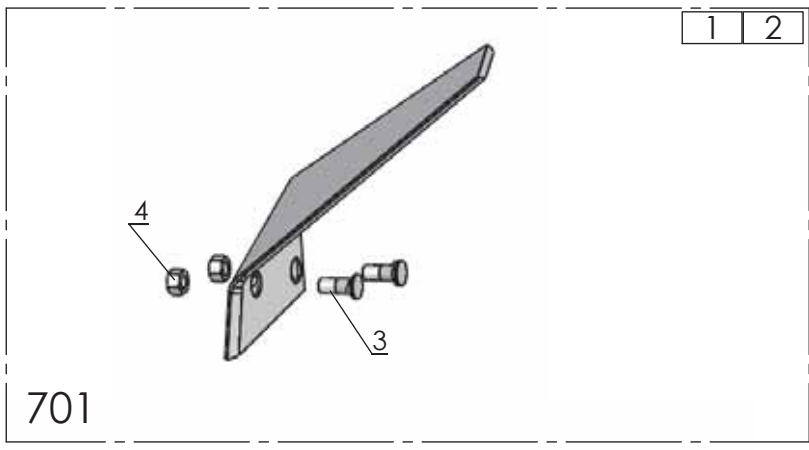
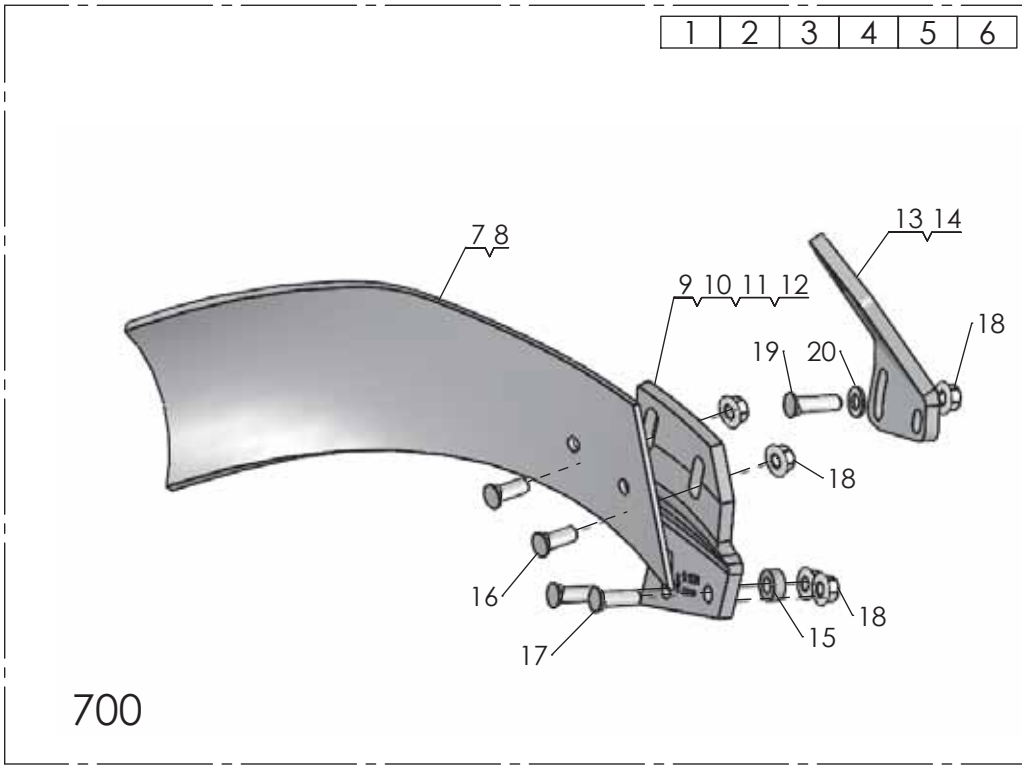
Pos nr/ Ref No	Detalj nr/ Part No	Benämning	Description
665		<b>PLOGKROPP XS</b>	<b>PLOUGH BODY XS</b>
1	4165 21619 90	Plogställ XS, höger	Frog XS, RH
2	4165 21620 90	Plogställ XS, vänster	Frog XS, Left
3	4165 94608 09	Spets höger XL, XU, kompl	Point right XL, XU, cpl
4	4165 94609 09	Spets vänster XL, XU, kompl	Point left XL, XU, cpl
5	4165 96272 09	Spets nedsänkt XL, XS höger, kompl	Point short XL, XS RH, cpl
6	4165 96273 09	Spets nedsänkt XL, XS vänster, kompl	Point short XL, XS LH, cpl
7	4165 96095 09	Landsida XU vänster, kompl	Landside XU LH, cpl
8	4165 96094 09	Landsida XU höger, kompl	Landside XU RH, cpl
9	4165 96090 09	Skär XU 400 (16") höger, kompl	Share XU 400 (16") RH, cpl
10	4165 96091 09	Skär XU 400 (16") vänster, kompl	Share XU 400 (16") LH, cpl
11	4165 96092 09	Skär XU 450 (18") höger, kompl	Share XU 450 (18") RH, cpl
12	4165 96093 09	Skär XU 450 (18") vänster, kompl	Share XU 450 (18") LH, cpl
13	4165 20249 09	Strimla nr 1 höger, kompl	Stripe no 1 right, cpl
14	4165 20894 09	Strimla nr 1 övre vänster, kompl	Stripe no 1 upper left, cpl
15	4165 20250 09	Strimla nr 2 höger, kompl	Stripe no 2 right, cpl
16	4165 20895 09	Strimla nr 2 vänster, kompl	Stripe no 2 left, cpl
17	4165 20251 09	Strimla nr 3 höger, kompl	Stripe no 3 right, cpl
18	4165 20896 09	Strimla nr 3 vänster, kompl	Stripe no 3 left, cpl
19	4165 20252 09	Strimla nr 4 höger, kompl	Stripe no 4 right, cpl
20	4165 20897 09	Strimla nr 4 vänster, kompl	Stripe no 4 left, cpl
21	4165 21470 09	Vändskivebröst XS/AS höger, kompl	Mouldboard shin XS/AS right, cpl
22	4165 21599 09	Vändskivebröst XS/AS vänster, kompl	Mouldboard shin XS/AS left, cpl
23	4165 96104 00	Vändskivestöfta XU, AH, XS, AS	Mouldboard stay XU, AH, XS, AS
24	4165 94622 09	Knivrist kompl, höger	Knife coulter cpl, RH
25	4165 94623 09	Knivrist kompl, vänster	Knife coulter cpl, LH
26	4165 20268 40	Brygga, höger	Bridge, right
27	4165 20278 40	Brygga, vänster	Bridge, left
28	4165 94612 09	Spetsplatta XL höger, kompl	Point plate XL RH, cpl
29	4165 94613 09	Spetsplatta XL vänster, kompl	Point plate LH, cpl
30	4165 94289 09	Slitplatta låg, kompl	Wearing plate low, cpl
31	4165 03612 21	Skruv MFBKF 12x32-12.9 MW	Nib bolt MFBKF 12x32-12.9 MW
32	4165 03602 57	Skruv MFBK 20x 60-10.9 MW	Nib bolt MFBK 20x 60-10.9 MW
33	4165 03602 33	Skruv MFBK 16x 40-10.9 MW	Nib bolt MFBK 16x 40-10.9 MW
34	4165 03612 24	Skruv MFBKF 12x45-12.9 MW	Bolt MFBKF 12x45-12.9 MW
35	4165 03613 03	Mutter M6M 12-12 MW	Nut ISO - 8673 - M12 x 1.5-12 MW
36	731 23 26 51	Mutter M6M 20-10 MW	Nut ISO - 4032 - M20-10 MW
37	731 23 24 01	Mutter M6M 16- 8 FZB	Nut ISO - 4032 - M16-8 FZB
39	4165 94610 09	Billspets AX, AH höger, kompl	Point AX, AH right, cpl
40	4165 94611 09	Billspets AX, AH vänster, kompl	Point AX, AH left, cpl
41	4165 96096 09	Landsida AH, AS, höger, kompl	Landside AH, AS, right, cpl
42	4165 96097 09	Landsida AH, AS, vänster, kompl	Landside AH, AS, left, cpl





1520

Pos nr/ Ref No	Detalj nr/ Part No	Benämning	Description
1520 Ö		<b>PLOGKROPP XSD</b>	<b>PLOUGH BODY XSD</b>
1	4165 35010 90	XLD Ställ, Höger	XLD Frog, Right
2	4165 35011 90	XLD Ställ, Vänster	XLD Frog, Left
3	4165 35070 09	XLD Spets, Höger, kompl.	XLD Point, Right, Compl.
4	4165 35071 09	XLD Spets, Vänster, Kompl.	XLD Point, Left, Compl.
5	4165 35074 09	XLD Vändbar Spets, Höger, Kompl.	XLD Reversible Point, Right, Compl.
6	4165 35075 09	XLD Vändbar Spets, Vänster, Kompl.	XLD Reversible Point, Left, Compl.
7	4165 35076 09	XLD Spetsplatta, Höger, Kompl.	XLD Point Bracket, Right, Compl.
8	4165 35077 09	XLD Spetsplatta, Vänster, Kompl.	XLD Point bracket, Left, Compl.
9	4165 35040 09	XLD Skär 16", Höger, Kompl.	XLD Share 16", Right, Compl.
10	4165 35041 09	XLD Skär 16", Vänster, Kompl.	XLD Share 16", Left, Compl.
11	4165 35042 09	XLD Skär 18", Höger, Kompl.	XLD Share 18", Right, Compl.
12	4165 35043 09	XLD Skär 18", Vänster, Kompl.	XLD Share 18", Left, Compl.
13	4165 35044 09	XLD Skär 20", Höger, Kompl.	XLD Share 20", Right, Compl.
14	4165 35045 09	XLD Skär 20", Vänster, Kompl.	XLD Share 20", Left, Compl.
15	4165 35060 09	XLD Landsida främre, Höger, Kompl.	XLD Landside Forward, Right, Compl.
16	4165 35061 09	XLD Landsida Främre, Vänster, Kompl.	XLD Landside Forward, Left, Compl.
17	4165 35062 09	XLD Landsida Bakre, Höger, Kompl.	XLD Landside Rear, Right, Compl.
18	4165 35063 09	XLD Landsida Bakre, Vänster, Kompl.	XLD Landside Rear, Left, Compl.
19	4165 35080 09	XLD Bröst, Höger, Kompl.	XLD Chest, Right, Compl.
20	4165 35081 09	XLD Bröst, Vänster, Kompl.	XLD Chest, Left, Compl.
21	4165 35024 09	XSD Strimla nr 1, Höger	XSD Stripe no 1, Right
22	4165 35025 09	XSD Strimla nr 1, Vänster	XSD Stripe no 1, Left
23	4165 35026 09	XSD Strimla nr 2, Höger	XSD Stripe no 2, Right
24	4165 35027 09	XSD Strimla nr 2, Vänster	XSD Stripe no 2, Left
25	4165 35028 09	XSD Strimla nr 3, Höger	XSD Stripe no 3, Right
26	4165 35029 09	XSD Strimla nr 3, Vänster	XSD Stripe no 3, Left
27	4165 35030 09	XSD Strimla nr 4, Höger	XSD Stripe no 4, Right
28	4165 35031 09	XSD Strimla nr 4, Vänster	XSD Stripe no 4, Left
29	4165 03612 21	Skruv MFBKF 12x32-12.9 MW	Nib bolt MFBKF 12x32-12.9 MW
30	4165 03613 03	Mutter M6M 12x1,25-12 MW	Nut ISO - 8673 - M12 x 1,25-12 MW
31	4165 35102 40	XSD Stöd, Höger	XSD Support, Right
32	4165 35103 40	XSD Stöd, Vänster	XSD Support, Left
33	4165 35093 00	XSD Vändskivestötte Övre	XSD Mouldboard stay Upper
34	4165 35091 00	XSD Vändskivestötte Undre	XSD Mouldboard Stay Lower
35	4165 03602 57	Skruv MFBK 20x 60-10.9 MW	Nib bolt MFBK 20x 60-10.9 MW
36	4165 03602 58	Skruv MFBK 20x 75-10.9 MW	Nib bolt MFBK 20x 75-10.9 MW
37	4731 23 26 51	Mutter M6M 20-10 MW	Nut ISO - 4032 - M20-10 MW
38	4165 03602 33	Skruv MFBK 16x 40-10.9 MW	Nib bolt MFBK 16x 40-10.9 MW
39	4731 23 24 01	Mutter M6M 16- 8 FZB	Nut ISO - 4032 - M16-8 FZB
40	4165 94289 09	Slitplatta låg, kompl	Wearing plate low, cpl
41	4165 94622 09	Knivrist kompl, höger	Knife coulter cpl, RH
42	4165 94623 09	Knivrist kompl, vänster	Knife coulter cpl, LH
43	4165 35112 09	XLD Täckplåt ställ Kompl., Höger	XLD Cover plate Frog Compl., Right
44	4165 35113 09	XLD Täckplåt ställ Kompl. Vänster	XLD Frog protection plate Compl, Left
45	4165 03612 24	Skruv MFBKF 12x45-12.9 MW	Bolt MFBKF 12x45-12.9 MW
46	4165 03602 23	Skruv MFBK 12x 40-10.9 MW	Nib bolt MFBK 12x 40-10.9 MW
47	4165 03615 05	Mutter M6MF 12- 8 FZB	Nut ISO - 4161 - M12 FZB
48	4165 85461 09	Tiltvinge höger, kompl	Mouldboard extension RH, cpl
49	4165 85462 09	Tiltvinge vänster, kompl	Mouldboard extension LH, cpl
50	4165 35118 01	XSD Stag och fäste Kompl. Höger	XSD Stay and Bracket Compl. Right
51	4165 35119 01	XSD Stag och fäste Kompl. Vänster	XSD Stay and Bracket Compl. Left

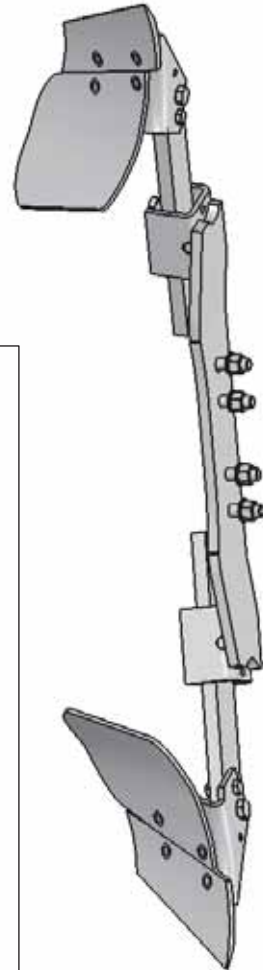


Pos nr/ Ref No	Detalj nr/ Part No	Benämning	Description
<b>700 Ö</b>		<b>SKÄRVINGE</b>	<b>COVERBOARD</b>
1	4165 94624 40	Skärvingefäste XL/UC, höger	Bracket coverboard XL/UC, RH
2	4165 94625 40	Skärvingefäste XL/UC, vänster	Bracket coverboard XL/UC, LH
3	4165 21337 40	Skärvinge höger kompl, XU/XS	Coverboard cpl RH, XU/XS
4	4165 21338 40	Skärvinge vänster kompl, XU/XS	Coverboard LH cpl, XU/XS
5	4165 96268 40	Skärvinge höger kompl, XL/UC	Coverboard cpl RH, XL/UC
6	4165 35114 00	XLD Skärvinge Kompl. Höger	XLD Coverboard Compl. Right
7	4165 35115 00	XLD Skärvinge komplett, Vänster	XLD Coverboard Compl. Left
8	4165 03602 22	Skruv MFBK 12x 35-10.9 MW	Nib bolt MFBK 12x 35-10.9 MW
9	4165 03615 05	Mutter M6MF 12- 8 FZB	Nut ISO - 4161 - M12 FZB
10	4165 03602 23	Skruv MFBK 12x 40-10.9 MW	Nib bolt MFBK 12x 40-10.9 MW
11	4165 89489 00	Bricka, Ø13/25x10	Washer, Ø13/25x10
12	4165 96269 40	Skärvinge vänster kompl, XL/UC	Coverboard cpl LH, XL/UC
13	4165 99627 40	Skärvingefäste XU, XS, höger	Coverboard bracket XU, XS, RH
14	4165 99628 40	Skärvingefäste XU/XS, vänster,	Coverboard bracket XU/XS, LH
15	4165 96064 09	Skärvinge höger, kompl	Coverboard right, cpl
16	4165 96065 09	Skärvinge vänster, kompl	Coverboard left, cpl
17	4165 35116 40	XLD Fäste skärvinge, Höger	XLD Bracket Cover board, Right
18	4165 35117 40	XLD Fäste skärvinge, Vänster	XLD Bracket Cover board, Left
19	4165 03602 24	Skruv MFBK 12x 45-10.9 MW	Nib bolt MFBK 12x 45-10.9 MW
20	4734 11 78 01	Bricka BRB 13x 24 FZB	Washer ISO 7089 - 12 FZB

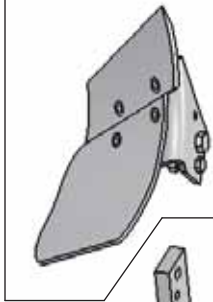
Pos nr/ Ref No	Detalj nr/ Part No	Benämning	Description
<b>701 Ö</b>		<b>FÅRBREDDARE</b>	<b>FURROW WIDENING KNIFE</b>
1	4165 95678 09	Fårbreddare höger, kompl	Furrow knife RH, cpl
2	4165 95679 09	Fårbreddare vänster, kompl	Furrow knife LH, cpl
3	4165 03612 21	Skruv MFBKF 12x32-12.9 MW	Nib bolt MFBKF 12x32-12.9 MW
4	4165 03613 03	Mutter M6M 12x1,25-12 MW	Nut ISO - 8673 - M12 x 1,25-12 MW

Pos nr/ Ref No	Detalj nr/ Part No	Benämning	Description
<b>702 Ö</b>		<b>FÅRBREDDARE</b>	<b>FURROW WIDENING KNIFE</b>
1	4165 24789 00	Fårbreddare komplett sats, höger	Furrow knife compl, RH
2	4165 24790 00	Fårbreddare komplett sats, vänster	Furrow knife compl, LH
3	4165 23868 40	Fårbreddare, höger	Furrow knife, RH
4	4165 23867 40	Fårbreddare, vänster	Furrow knife, LH
5	4165 94289 09	Slitplatta, låg	Wearing plate, low
6	4165 03613 03	Mutter M6M 12x1,25-12 MW	Nut ISO - 8673 - M12 x 1,25-12 MW
7	4165 03612 24	Skruv MFBKF 12x45-12.9 MW	Bolt MFBKF 12x45-12.9 MW

1 2 3 4 5 6 7 8



12 14 16



9

F-model

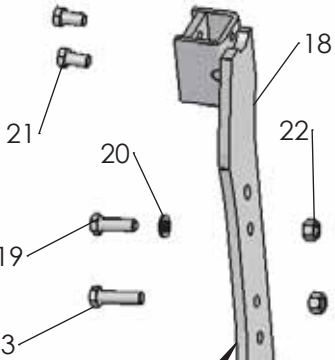


10

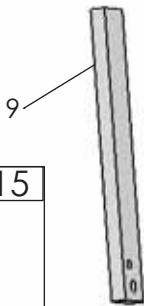
H-model



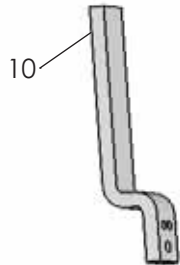
H75-model



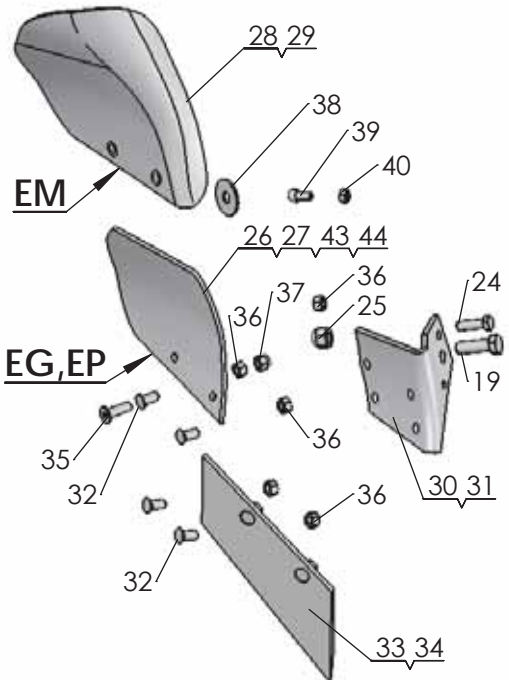
F-model  
H80-model



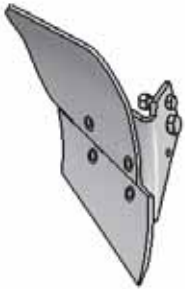
10



11 12 13 14 15 16



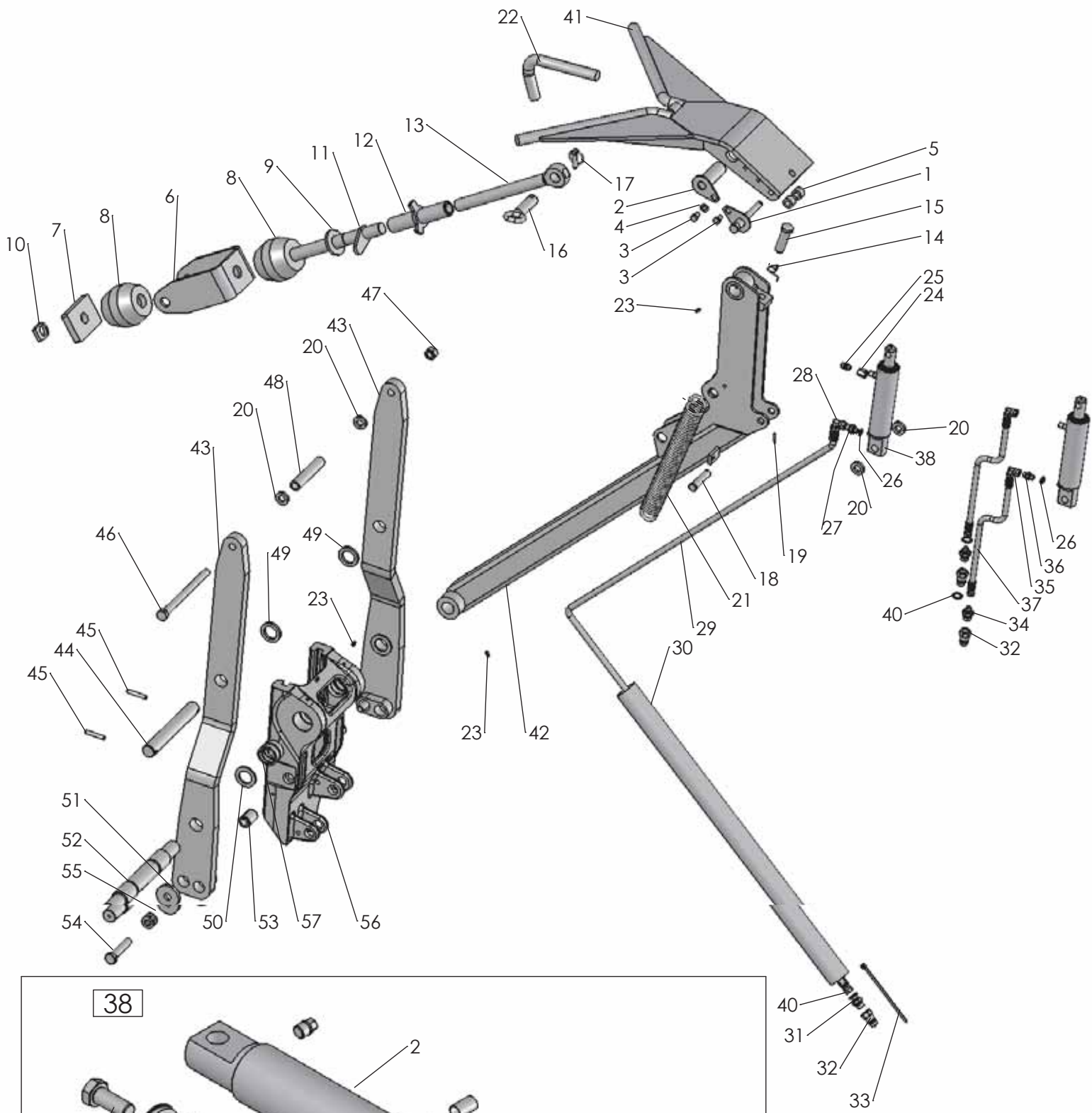
11 13 15



1010

Pos nr/ Ref No	Detalj nr/ Part No	Benämning	Description
<b>1010 Ö</b>		<b>SKUMRIST</b>	<b>SKIMMER</b>
1	4165 30316 90	EP-rist F, kompl	EP-skimmer F, cpl
2	4165 30111 90	EG-rist F, kompl	EG-skimmer F, cpl
3	4165 32902 90	EP-rist H kort, kompl	EP-skimmer H short, cpl
4	4165 32901 90	EG-rist H kort, kompl	EG-skimmer H short, cpl
5	4165 32903 90	EM-rist H kort, kompl	EM-skimmer H short, cpl
6	4165 32980 90	EP-rist H lång, kompl	EP-skimmer H long, cpl
7	4165 32977 90	EG-rist H lång, kompl	EG-skimmer H long, cpl
8	4165 32981 90	EM-rist H lång, kompl	EM-skimmer H long, cpl
9	4165 29166 90	Skumristskaff F, rakt	Skimmer shaft F, stright
10	4165 32636 90	Skumristskaff H	Skimmer shaft H
11	4165 99049 40	Rist EP, höger	Skimmer EP, RH
12	4165 99050 40	Rist EP, vänster	Skimmer EP, LH
13	4165 98260 40	Rist EG, höger	Skimmer EG, RH
14	4165 98261 40	Rist EG, vänster	Skimmer EG, LH
15	4165 24423 40	Rist EM, höger	Skimmer EM, RH
16	4165 24424 40	Rist EM, vänster	Skimmer EM, LH
17	4165 32571 90	Skumristhållare, kort	Skimmer bracket, short
18	4165 29174 90	Skumristhållare, lång	Skimmer bracket, long
19	4165 20377 00	Skruv, M6S 16x50-10.9 MW	Bolt, M6S 16x50-10.9 MW
20	4734 11 86 01	Bricka BRB 17x30 FZB	Washer ISO 7089 - 16
21	4725 26 24 81	Skruv M6S 16x30-MW	Bolt ISO 4014 - M16 x 30-10.9 MW
22	4731 23 24 51	Mutter M6M 16-10 MW	Nut ISO-4032 M16-10 MW
23	4725 26 32 81	Skruv M6S 16x 60-10.9 MW	Bolt ISO 4014 M16x60-10.9 MW
24	4165 20376 00	Brytbult, M12x40-10.9 MW	Shear bolt, M12x40-10.9 MW
25	4732 21 24 51	Mutter M6M 16- 8 NF FZB	Nut ISO 7040-M16-8-NF FZB
26	4165 91803 09	Vändskiva EG höger, kompl	Mouldboard E RH, cpl
27	4165 91804 09	Vändskiva EG vänster, kompl	Mouldboard EG LH, cpl
28	4165 24421 09	Vändskiva EM höger, kompl	Mouldboard EM RH, cpl
29	4165 24422 09	Vändskiva EM vänster, kompl	Mouldboard EM LH, cpl
30	4165 98258 40	Ställ EG-EP-EM, höger	Frog EG-EP-EM, RH
31	4165 98259 40	Ställ EG-EP-EM, vänster	Frog EG-EP-EM, LH
32	4165 03602 21	Skruv MFBK 12x 28-10.9 MW	Nib bolt MFBK 12x 28-10.9 MW
33	4165 91801 09	Skär E höger, kompl	Share E RH, cpl
34	4165 91802 09	Skär E vänster, kompl	Share E LH, cpl
35	4725 65 40 01	Skruv MF6S 12x 40- 8.8 FZB	Bolt ISO 10642 - M12 x 40-8.8 FZB
36	4731 23 22 01	Mutter M6M 12- 8 FZB	Nut ISO - 4032 - M12-8 FZB
37	4732 21 22 51	Mutter M6M 12- 8 NF FZB	Nut ISO 7040-M12-8-NF FZB
38	4165 25921 00	Självhäftande packning	Rubber washer
39	4725 54 91 01	Skruv MC6S 10x 20- 8.8 FZB	Bolt ISO 4762- M10x20- 8.8 FZB
40	4731 23 20 01	Mutter M6M 10- 8 FZB	Nut Hexagon Nut ISO - 4032 - M10-8 FZB
43	4165 92085 09	Vändskiva EP höger, kompl	Mouldboard EP RH, cpl
44	4165 92086 09	Vändskiva EP vänster, kompl	Mouldboard EP LH, cpl

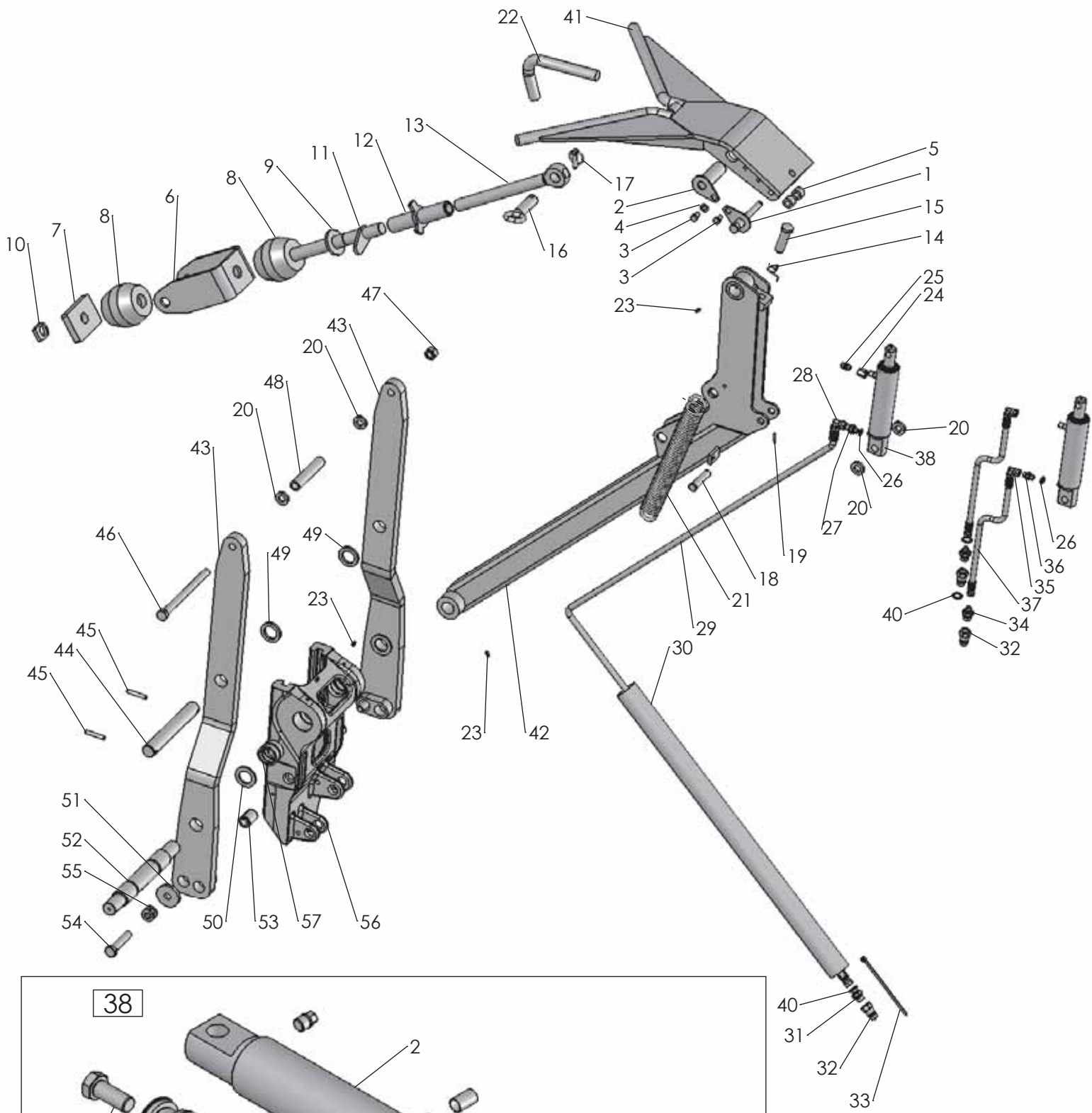




1583

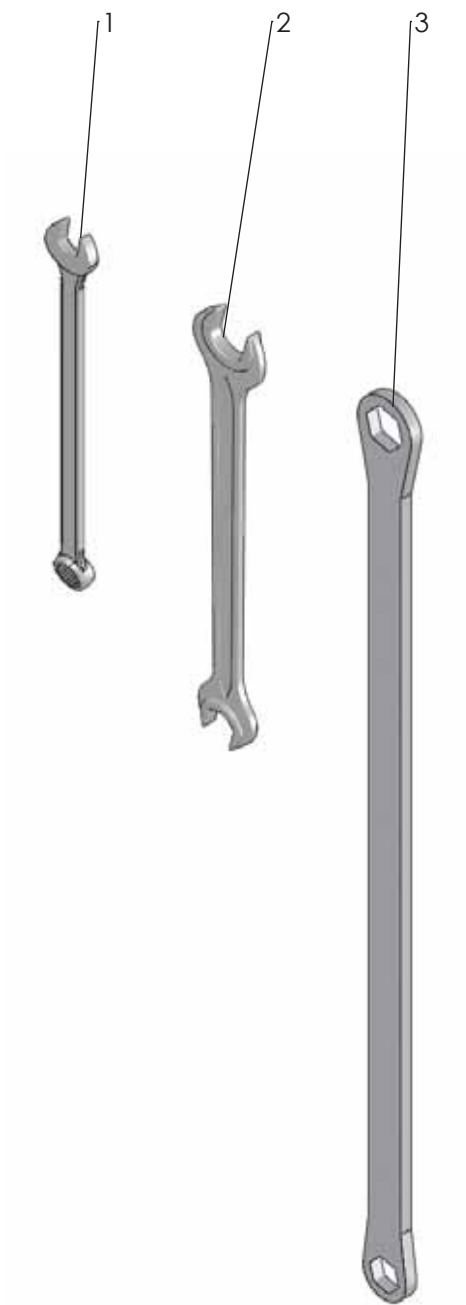


Pos nr/ Ref No	Detalj nr/ Part No	Benämning	Description
1432 Ö	96120-84 85	DRAGARM CX2	PACKER ARM CX/DX
1	4165 97068 00	Låstapp, Ø16x107	Locking pin, Ø16x107
2	4165 97067 00	Låstapp, Ø38x108	Locking pin, Ø38x108
3	4725 25 32 51	Skruv M6S 12x 20- 8.8 FZB	Bolt ISO 4014 - M12 x 20-8.8 FZB
4	4734 11 78 01	Bricka BRB 13x 24 FZB	Washer ISO 7089 - 12 FZB
5	4165 95999 00	Hylsa, Ø17/30x19	Sleeve, Ø17/30x19
6	4165 95928 00	Hållare	Bracket
7	4165 95926 00	Dämpplåt	Rearplate
8	4165 73993 00	Gummifjäder	Rubber spring
9	4165 23806 00	Dragskruv	Draw rod
10	4165 93079 00	Låsarm, kort	Locking arm, short
11	4165 91238 00	Låsarm, M33x2	Locking arm, M33x2
12	4165 91241 00	Hylsa M33, komplett, L=210	Sleeve M33, cpl, L=210
13	4165 93638 02	Öglebult, M33x2	Eyebolt
14	4165 85779 00	Friktionsfjäder	Friction spring
15	4165 85693 00	Skruv M24x80-10.9 N30, Kullrigt huvud	Bolt M24x80-10.9 N30, Special head
16	4165 96444 00	Säkringstapp, Ø30x90	Pin, Ø30x90
17	4165 85005 00	Ringsprint, Ø11x34	Linch pin, Ø11x34
18	4165 73224 01	Cylindrisk bult, Ø20x88.5	Pivot pin, Ø20x88.5
19	4721 42 62 01	Fjädrande rörpinne FRP 4x 32 FZB	Spring Pin ISO 8752 - 4 x 32 FZB
20	4165 83587 00	Bricka, Ø20,5/38,5x8	Washer, Ø20,5/38,5x8
21	4165 82283 00	Dragfjäder	Spring
22	4165 95991 00	Dragtapp, Ø30	Pull pin, Ø30
23	4738 88 20 03	Smörjnippel, AM 8x1,25 FZB	Grease nipple, AM 8x1,25 FZB
24	4165 96342 00	Rakadapt	Coupling straight
25	4165 91814 00	Filterpropp, G1/4	Breathing filter, G1/4
26	4165 12983 01	Gummistålbricka, G1/4"	Bonded seal, G1/4
27	4165 93574 00	Rak adapt, 3/8" - 1/4"	Stright union, 3/8"-1/4"
28	4165 92939 00	L-Adapt 3/8" - 3/8"	L-Union 3/8" - 3/8"
29	4165 14124 60	Hydraulslang, L=4900	Hose, L=4900
30	4165 21043 00	Skydds slang, Ø59,4/63x1000	Protective hose, Ø59,4/63x1000
31	4165 92438 00	Rak adapt, 1/2" - 3/8"	Stright union
32	4165 74814 00	Handel 1/2"	Quick coupling M, 1/2"
33	4165 23585 00	Buntband orange, L=206	Cable tie orange, L=206
34	4165 77231 00	Rak adapt 1/2" - 1/4"	Stright union
35	4165 85636 00	L-adapt, 1/4"	L-Union, 1/4"
36	4165 79031 00	Adapt, 1/4" - 1/4"	Stright union, 1/4" - 1/4"
37	4165 92691 00	Hydraulslang, L=4040	Hydraulic hose, L=4040
38	4165 92628 50	Hydraulcylinder DV, Ø50/30x140	Hydraulic cylinder DA, Ø50/30x140
39	4165 92631 50	Cylinderrör Ø50, kompl	Cylinder tube Ø50, cpl
40	4165 80316 00	Gummistålbricka, G1/2	Bonded seal, G1/2
41	4165 95946 90	Kläpp med 100°	Catch with 100°
42	4165 96438 90	Dragfäste	Draw rod
43	4165 23493 90	Packerfäste VFCX	Packer arm bracket VFCX
44	4165 99514 00	Cylindrisk pinne, Ø38x274	Parallel pin, Ø38x274
45	4721 44 23 01	Fjädrande rörpinne FRP 10x 60 FZB	Spring Pin ISO 8752 - 10 x 60 FZB
46	4725 27 02 81	Skruv M6S 20x260-10.9 MW	Bolt ISO 4014 - M20 x 260-10.9 MW
47	4731 23 26 51	Mutter M6M 20-10 MW	Nut ISO - 4032 - M20-10 MW
48	4165 22147 00	Hylsa, Ø20/30x152	Sleeve, Ø20/30x152
49	4165 34184 00	Bricka, Ø41/60x8	Washer, Ø41/60x8
50	4165 93115 00	Bricka, Ø40,5/63x5	Washer, Ø40,5/63x5
51	4165 83750 00	Bricka, Ø21/70x10	Washer, Ø21/70x10
52	4165 34675 90	Länkaxel för packer	Link Axle for packer
53	4165 86240 16	Fjädrande rörpinne FRP 35x 50	Spring pin DIN 1481 35x 50
54	4725 26 84 81	Skruv M6S 20x100-10.9 MW	Bolt ISO 4014 - M20 x100-10.9 MW
55	4734 11 92 01	Bricka BRB 21x 37 FZB	Washer ISO 7089-M20-200 HV
56	4165 34743 90	Medbringare CX, VFCX för Packerarm	Turn-Over Arm CX, VFCX for Packer Arm
57	4165 29352 00	Spännbussning, Ø50/60x40	Spring bush, Ø50/60x40



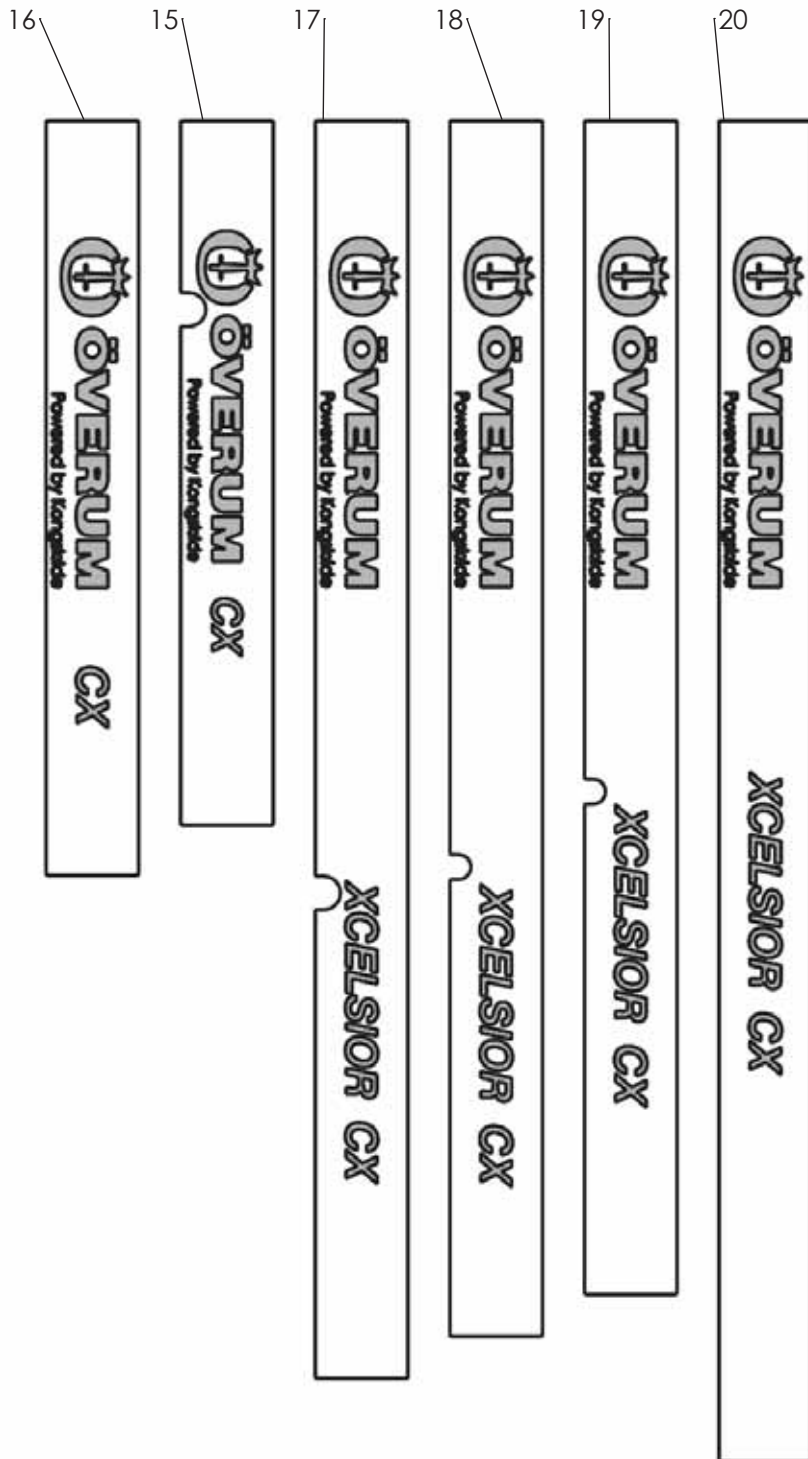
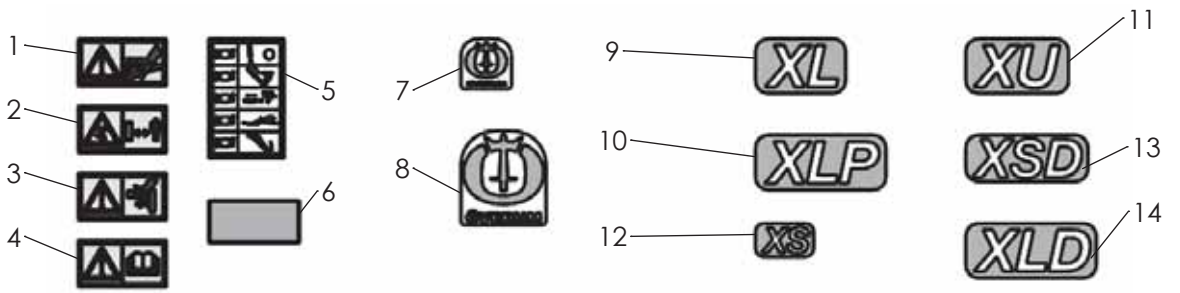
1583

Pos nr/ Ref No	Detalj nr/ Part No	Benämning	Description
<b>1583 Ö2</b>	<b>96120-84 85</b>	<b>DRAGARM CX2</b>	<b>PACKER ARM CX2</b>
1	4165 92628 50	Hydraulcylinder DV, Ø50/30x140	Hydraulic cylinder DA, Ø50/30x140
2	4165 92631 50	Cylinderrör Ø50, kompl	Cylinder tube Ø50, cpl
3	4725 26 28 51	Skruv M6S 16x 40- 8.8 FZB	Bolt ISO 4014 - M16 x 40-8.8 FZB
4	4165 85508 00	Kolv, Ø50	Piston, Ø50
5	4165 91331 00	Styrning, Ø50/30	Guide, Ø50/30
6	4165 92635 00	Kolvstång, Ø30x251	Piston rod, Ø30x251
7	4735 31 40 61	Spårring AV 47 FZB	Retaining ring AV 47 FZB
8	4165 84052 00	Låsringshalvor för cyl Ø50	Locking ring for cyl Ø50
9	4165 92638 00	Packningssats cylinder, Ø50/30	Set of seals, Ø50/30



1273

Pos nr/ Ref No	Detalj nr/ Part No	Benämning	Description
1273		PLOGNYCKLAR	PLOUGH KEYS
1	4165 94063 00	U-ringnyckel, NV18	U-cap key, KW18
2	4165 82041 00	Dubbelskruvnyckel, NV 24/30	Dubble U-key, KW 24/30
3	4165 86711 00	Plognyckel Håk 24/30	Spanner 24/30



1388



Pos nr/ Ref No	Detalj nr/ Part No	Benämning	Description
<b>1388</b>		<b>DEKAL</b>	<b>DECAL</b>
1	4165 98300 00	Dekal: Högt oljetryck	Decal: High pressure fluid-injection into body
2	4165 98301 00	Dekal: Arbetsområde	Decal: Stay a safe distance from the machine
3	4165 25073 00	Dekal: Varning klämrisk	Decal: Warning risk of crushing
4	4165 99101 00	Dekal: Läs instruktionsboken	Decal: Read instruction manual
5	4165 34617 00	Dekal: Färgmärkning, buren plog	Decal: Colour marking, mounted plough
6	4165 97077 00	Reflex	Reflex
7	4165 34754 00	Dekal: ÖVERUM logo, h=43	Decal: ÖVERUM logo, h=43
8	4165 34752 00	Dekal: ÖVERUM logo, h=84	Decal: ÖVERUM logo, h=84
9	4165 35141 00	Dekal: Plogkropp XL	Decal: Plough body XL
10	4165 35142 00	Dekal: Plogkropp XLP	Decal: Plough body XLP
11	4165 35143 00	Dekal: Plogkropp XU	Decal: Plough body XU
12	4165 35144 00	Dekal: Plogkropp XS	Decal: Plough body XS
13	4165 36350 00	Dekal: Plogkropp XSD	Decal: Plough body XSD
14	4165 35145 00	Dekal: Plogkropp XLD	Decal: Plough body XLD
15	4165 35409 00	Dekal: ÖVERUM CX	Decal: ÖVERUM CX
16	4165 34811 00	Dekal: ÖVERUM CX	Decal: ÖVERUM CX
17	4165 35410 00	Dekal: ÖVERUM XCELSIOR CX	Decal: ÖVERUM XCELSIOR CX
18	4165 35411 00	Dekal: ÖVERUM XCELSIOR CX	Decal: ÖVERUM XCELSIOR CX
19	4165 35418 00	Dekal: ÖVERUM XCELSIOR CX	Decal: ÖVERUM XCELSIOR CX
20	4165 35419 00	Dekal: ÖVERUM XCELSIOR CX	Decal: ÖVERUM XCELSIOR CX

From serial No. 15 291100

41656 80 09 61 – 2018-09-10

You can always find the latest version of the manuals at [www.kongskilde.com](http://www.kongskilde.com)